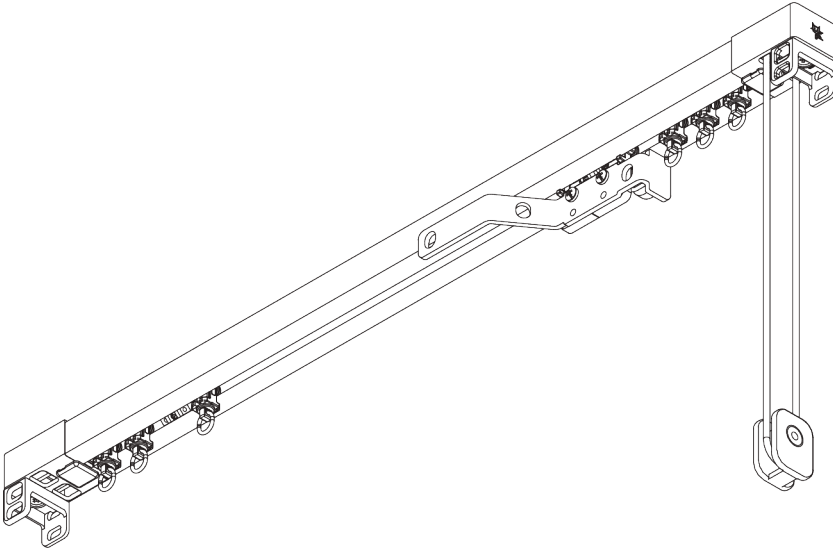
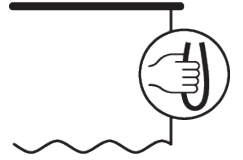


# SG 3970

---



## PRODUCT INFORMATION

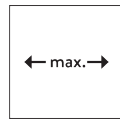
- **Operation:** cord
- **Range:** M - L
- **Fitting:** ceiling, wall, recess
- **Colours:** white RAL 9016 or anodised aluminum, special colours possible (recess profile only in white RAL 9016 or special color)
- **Fabrics:** refer to Silent Gliss fabric collection

### **Features:**

- 2-component (2C) roller technology
- Wave (2C)
- Bendable
- Bendable recess profile

# SYSTEM SPECIFICATIONS

## A. SYSTEM DIMENSIONS



15 m



38 kg

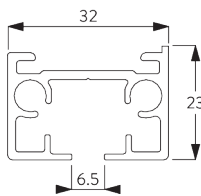
## Max. curtain weight - 2C roller

	2 m	4 m	6 m	8 m	10 m	12 m	15 m
	25	38	35	30	25	20	15
	25	38	35	30	25	20	15
	25	30	25	20	18	15	10
	25	30	25	20	18	15	10
	13	16	13	11	10	8	6
	13	16	13	11	10	8	6
	11	13	11	10	9	7	-
	11	13	11	10	9	7	-

(kg max.)

## B. PROFILE

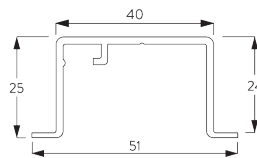
### Profile and bending information



**SG 3971**

Profile

Radius: >25 cm

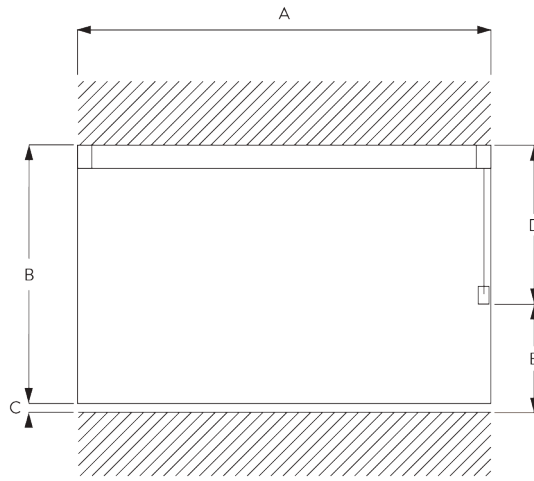


**SG 10862**

Recess profile

Radius: 50 - 75 cm  
>75 cm on request

## C. HOW TO MEASURE



- A: System width
- B: System height
- C: Distance between floor and fabric
- D: Cord height
- E: Safety Retainer SG 10731 min. 150 cm above floor

## D. SPECIFICATION TEXT

### EN

Silent Gliss SG 3970 Cord Operated Curtain Track System. Comprising aluminium profile SG 3971 supplied made to measure in silver anodised or powder coated in white. Supplied with 2C gliders SG 10840 at 10/m. Top fixed with fixing clamp SG 3041 / SG 3004 at max. 500 mm centres. Wall fix with SG Smart Fix. Optional recess profile SG 10862. Silent Gliss Wave option is available. Compliant to Child Safety legislation EN 13120.

### SV

Silent Gliss SG 3870 lindragssystem. Består av aluminiumprofil SG 3971 i specificerad längd i vitlack, alu natur eller angiven RAL färg. 10 st 10840 SILENT TRACK glid per meter. Takmonteras med fäste SG 3041 / SG 3004 c/c 500 mm.

Väggmontering med SG Smart Fix c/c 500 mm. Kan leveres med infällningsprofil SG 10862. Uppfyller barnsäkerhetsnorm EN 13120. Kan användas med system Wave.

### NO

Silent Gliss SG 3870 Snortrekksystem. Består av aluminiumprofil SG 3971 i spesifisert lengde. Hvitlakkert alu natur eller spesifisert RAL farge. 10 stk SG 10840 SILENT TRACK glidere pr meter. Takmonteres med feste SG 3041 / SG 3004 c/c 500 mm. Veggmontering med SG Smart Fix c/c 500 mm. Kan leveres med profil for innfelling SG 10862. Oppfyller kravene i barnesikkerhetsnormen EN 13120. kan brukes med Wave system.

### DA

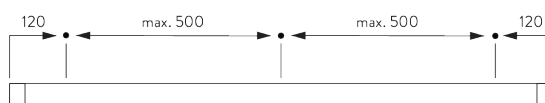
Silent Gliss SG 3970 gardinskinnesystem med snortræk. Består af en aluminiumprofil SG 3971 i ønsket længde, sølvanodiseret eller hvid pulverlakering. Leveres med 10 stk. 2C glidere SG 10840 pr m. Loftmonteres med spændebojle SG 3041 / SG 3004 med højst 500 mm afstand. Vægmonteres med SG Smart Fix. Kan leveres med indfældningsprofil SG 10862. Kan bruges med Silent Gliss Wave. Overholder lovgivning om børnesikkerhed efter EN 13120.

# FITTING

## A. FITTING INFORMATION

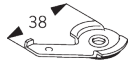
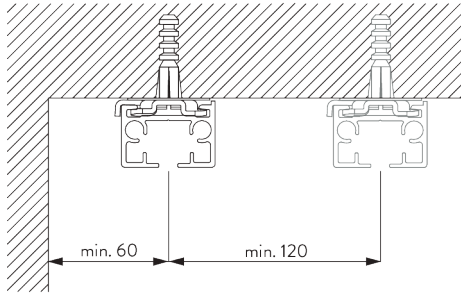
### Fixing points

For detailed fitting information, visit the Silent Gliss website.



**B. CEILING FITTING**

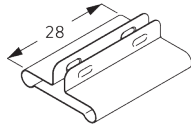
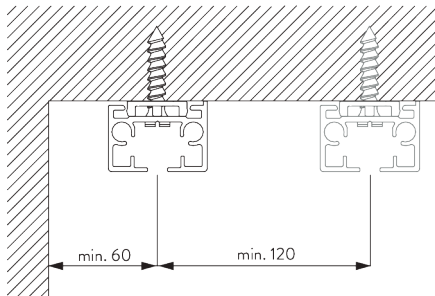
**Clamp SG 3004**



**SG 3004**

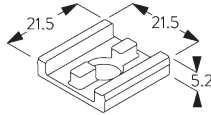
Clamp

**Direct fitting**



**SG 7002**

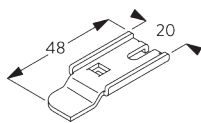
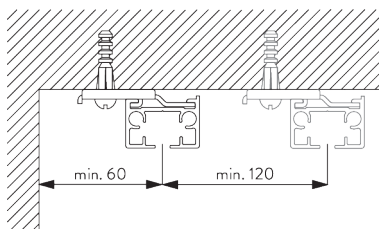
Profile protector



**SG 10865**

Support plate

**Bracket SG 3041**

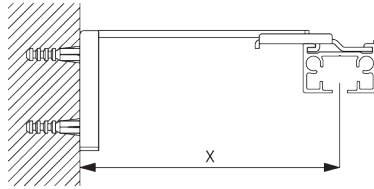


**SG 3041**

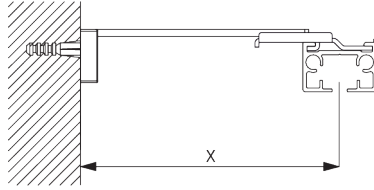
Bracket

## C. WALL FITTING

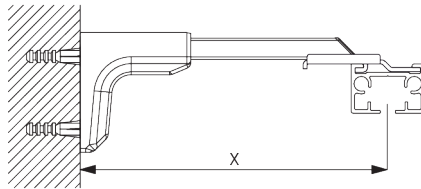
### Smart Fix



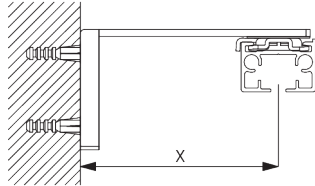
**Smart Fix SG 11200 - SG 11205 and bracket SG 3041:**  
Screw SG 10492 (M4x8) needed.



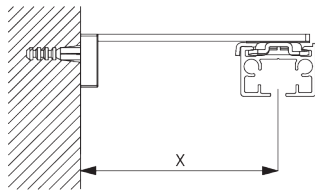
**Square Smart Fix SG 11210 - SG 11215 and bracket SG 3041:**  
Screw SG 10492 (M4x8) needed.



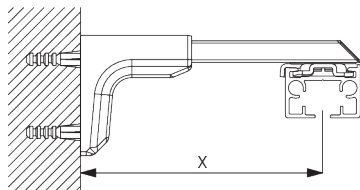
**Universal Smart Fix SG 11154 - SG 11156 and bracket SG 3041:**  
Screw SG 10407 (M4x10) needed.



**Smart Fix SG 11201 - SG 11205 and clamp SG 3004:**  
Screw SG 10074 (M4x8) needed.

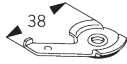


**Square Smart Fix SG 11211 - SG 11215 and clamp SG 3004:**  
Screw SG 10074 (M4x8) needed.

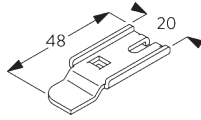


**Universal Smart Fix SG 11154 - SG 11156 and clamp SG 3004:**  
Screw SG 11158 (M4x12) needed.

Smart Fix	X mm (SG 3041)	X mm (SG 3004)
SG 11200 / SG 11210	83	
SG 11201 / SG 11211	103	72
SG 11202 / SG 11212	123	92
SG 11203 / SG 11213	143	112
SG 11204 / SG 11214	173	142
SG 11205 / SG 11215	223	192
SG 11154	128-156	102-130
SG 11155	158-186	132-160
SG 11156	208-236	182-210



**SG 3004**  
Clamp



**SG 3041**  
Bracket



**SG 10074**  
Countersunk head screw  
M4x8



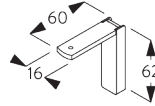
**SG 10407**  
Pan head screw M4x10



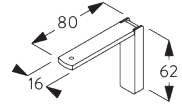
**SG 10492**  
Pan head screw M4x8



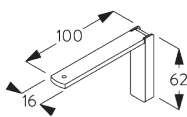
**SG 11158**  
Countersunk head screw  
M4x12



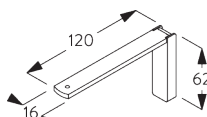
**SG 11200**  
Smart Fix 60 mm



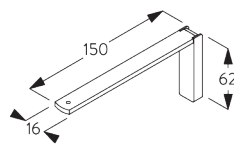
**SG 11201**  
Smart Fix 80 mm



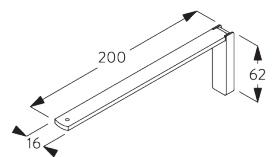
**SG 11202**  
Smart Fix 100 mm



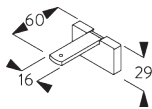
**SG 11203**  
Smart Fix 120 mm



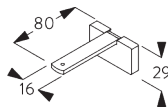
**SG 11204**  
Smart Fix 150 mm



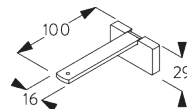
**SG 11205**  
Smart Fix 200 mm



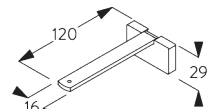
**SG 11210**  
Square Smart Fix 60 mm



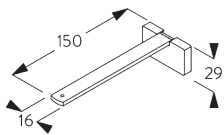
**SG 11211**  
Square Smart Fix 80 mm



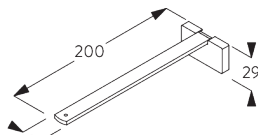
**SG 11212**  
Square Smart Fix 100 mm



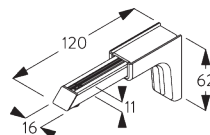
**SG 11213**  
Square Smart Fix 120 mm



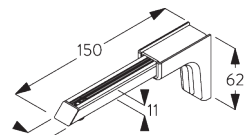
**SG 11214**  
Square Smart Fix 150 mm



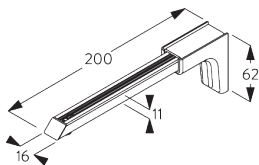
**SG 11215**  
Square Smart Fix 200 mm



**SG 11154**  
Universal Smart Fix 120 mm



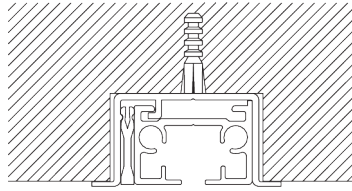
**SG 11155**  
Universal Smart Fix 150 mm



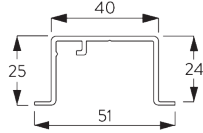
**SG 11156**  
Universal Smart Fix 200 mm

## D. RECESS FITTING

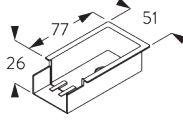
### Recess profile SG 10862



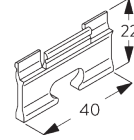
One wedge SG 5118 per fixing point.  
For detailed recess fitting, visit the Silent Gliss website.



**SG 10862**  
Recess profile



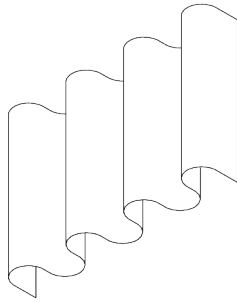
**SG 10864**  
Recess mask



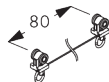
**SG 5118**  
Wedge

# SYSTEM OPTIONS

## A. WAVE



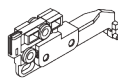
SG 11295



SG 10852



SG 6365



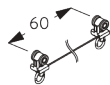
SG 10845



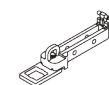
SG 10854



SG 10867



SG 10869



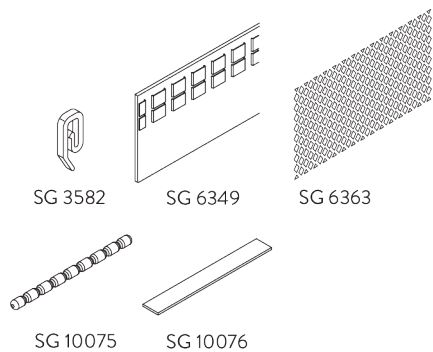
SG 10887

### Standard components:

- SG 11295 End stop
- SG 10852 Wave 2C roller cord 80 mm

### Optional components:

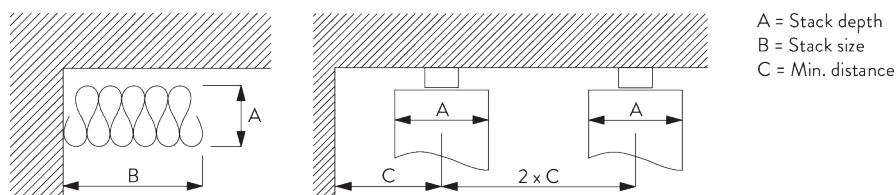
- SG 6365 Wave hanger
- SG 10845 Wave master carrier single stack 80 mm
- SG 10854 Wave overlap support arm
- SG 10867 Panhead screw M4x16
- SG 10869 Wave 2C roller cord 60 mm (no single stack)
- SG 10887 Wave extension



**Curtain components:**

- SG 3582 Hook
- SG 6349 Wave curtain tape
- SG 6363 Wave top hemming tape
- SG 10075 Lead weight 50 gr/m
- SG 10076 Fabric weight

**Wave stack depth - 2C roller cord (standard components)**



2C Roller cord SG 10852	Pockets between hooks	Approx. curtain fullness	Stack depth A	Stack size B*	Min distance C
80	6	~2.1	140	210 per metre of track	90
80	7	~2.3	160	210 per metre of track	100

2C Roller cord SG 10869	Pockets between hooks	Approx. curtain fullness	Stack depth A	Stack size B*	Min distance C
60	4	~2.1	100	260 per metre of track	70
60	5	~2.3	120	260 per metre of track	80

**\*Stack size B standard**

- single stack = plus 140 mm per curtain
- pair stack = plus 40 mm per curtain



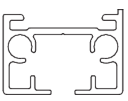
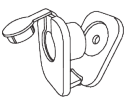
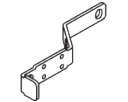
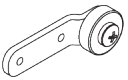

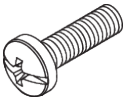
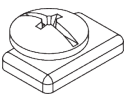

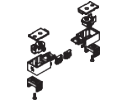
**\*Stack size B optional**

- single stack = n/a
- pair stack = plus 150 mm per curtain

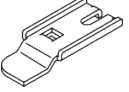

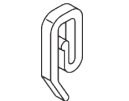

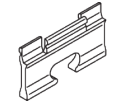
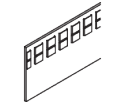

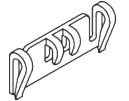
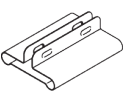
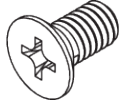

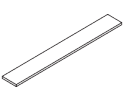
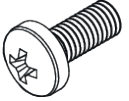



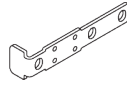

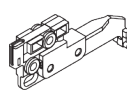
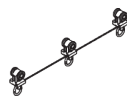
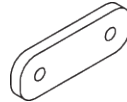
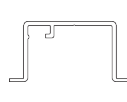
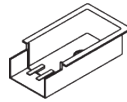
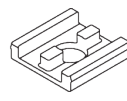
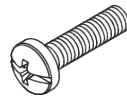
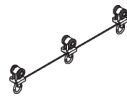
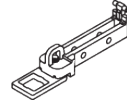
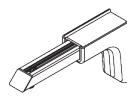
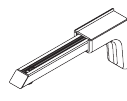
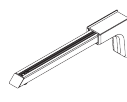
# PARTS

## A. STANDARD PARTS

	<b>SG 3004</b> Clamp
	<b>SG 3090</b> Cord ø 3.5 mm
	<b>SG 3971</b> Profile
	<b>SG 10731</b> Child safety retainer set
	<b>SG 10821</b> Overlap arm
	<b>SG 10826</b> Overlap arm support
	<b>SG 10840</b> 2C roller
	<b>SG 10923</b> Pan head screw Freedriv M4x12
	<b>SG 11295</b> End stop
	<b>SG 11314</b> Master carrier
	<b>SG 11315</b> Guide set

## B. OPTIONAL PARTS

	<b>SG 3041</b> Bracket
	<b>SG 3340</b> Cord/chain weight
	<b>SG 3582</b> Hook
	<b>SG 3735</b> Cord weight with tensioner
	<b>SG 5118</b> Wedge
	<b>SG 6349</b> Wave curtain tape
	<b>SG 6363</b> Wave top hemming tape
	<b>SG 6365</b> Wave hanger
	<b>SG 7002</b> Profile protector
	<b>SG 10074</b> Countersunk head screw M4x8
	<b>SG 10075</b> Lead weight 50 g/m
	<b>SG 10076</b> Fabric weight
	<b>SG 10407</b> Pan head screw M4x10
	<b>SG 10492</b> Pan head screw M4x8

	<b>SG 10820</b> Overlap arm
	<b>SG 10831</b> Connection bridge
	<b>SG 10845</b> Wave master carrier 80 mm
	<b>SG 10852</b> Wave 2C roller cord 80 mm
	<b>SG 10854</b> Wave overlap plate
	<b>SG 10862</b> Recess profile
	<b>SG 10864</b> Recess mask
	<b>SG 10865</b> Support plate
	<b>SG 10867</b> Pan head screw Freedriv M4x16
	<b>SG 10869</b> Wave 2C roller cord 60 mm
	<b>SG 10887</b> Wave extension
	<b>SG 11154</b> Universal Smart Fix 120 mm
	<b>SG 11155</b> Universal Smart Fix 150 mm
	<b>SG 11156</b> Universal Smart Fix 200 mm

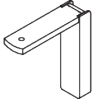


---

**SG 11158**

Countersunk head screw M4x12

---

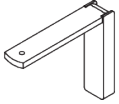


---

**SG 11200**

Smart Fix 60 mm

---

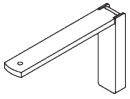


---

**SG 11201**

Smart Fix 80 mm

---

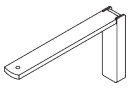


---

**SG 11202**

Smart Fix 100 mm

---

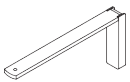


---

**SG 11203**

Smart Fix 120 mm

---

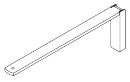


---

**SG 11204**

Smart Fix 150 mm

---

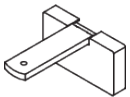


---

**SG 11205**

Smart Fix 200 mm

---

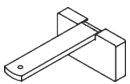


---

**SG 11210**

Square Smart Fix 60 mm

---

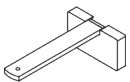


---

**SG 11211**

Square Smart Fix 80 mm

---

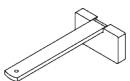


---

**SG 11212**

Square Smart Fix 100 mm

---

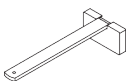


---

**SG 11213**

Square Smart Fix 120 mm

---

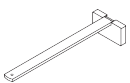


---

**SG 11214**

Square Smart Fix 150 mm

---



---

**SG 11215**

Square Smart Fix 200 mm

---



