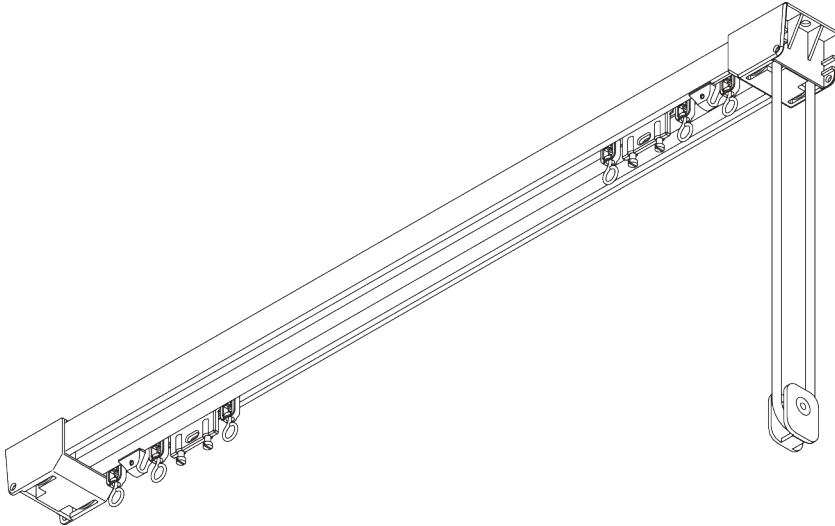
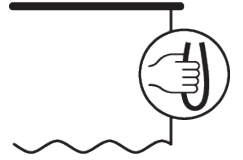


SG 6370



PRODUCT INFORMATION

- **Operation:** cord
- **Range:** L
- **Fitting:** ceiling, wall
- **Colours:** white RAL 9016 or anodised aluminum, special colours possible
- **Fabrics:** refer to Silent Gliss fabric collection

Features:

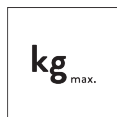
- Bendable

SYSTEM SPECIFICATIONS

A. SYSTEM DIMENSIONS



15 m



66 kg

Max. curtain weight - roller SG 6098 / SG 6094

	2 m	4 m	6 m	8 m	10 m	12 m	15 m
	62	60	58	56	54	50	46
	66	64	62	60	58	55	50
	46	43	40	37	34	30	25
	50	47	44	41	38	35	30
	36	33	30	27	24	22	18
	44	40	36	33	30	28	22
	24	19	14	5	4	-	-
	27	23	19	10	9	-	-

(kg max.)

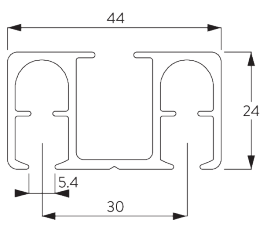
Max. curtain weight - roller SG 6283

	2 m	4 m	6 m	8 m	10 m	12 m	15 m
	45	42	40	38	35	32	28
	46	44	42	40	38	36	34
	32	30	28	26	24	22	18
	34	32	30	28	26	23	20
	24	22	20	18	16	13	10
	29	27	25	23	21	18	15

(kg max.)

B. PROFILE

Profile and bending information



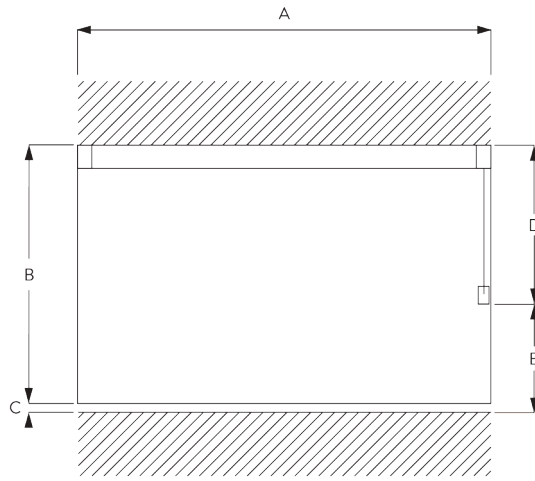
SG 6371

Profile



Radius: >50 cm

**C. HOW TO
MEASURE**



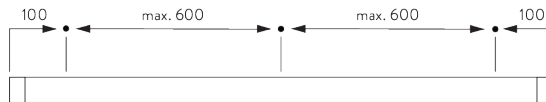
- A: System width
- B: System height
- C: Distance between floor and fabric
- D: Cord height
- E: Safety Retainer SG 10731 min. 150 cm above floor

FITTING

**A. FITTING
INFORMATION**

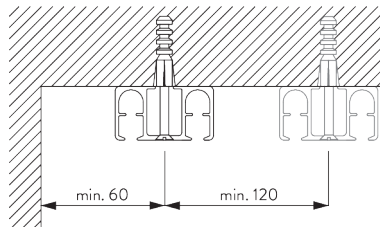
For detailed fitting information, visit the Silent Gliss website.

Fixing points



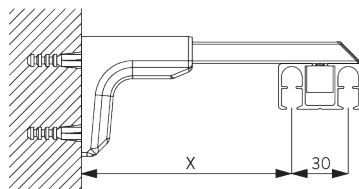
B. CEILING FITTING

Direct fitting



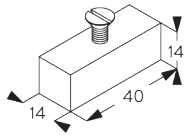
C. WALL FITTING

Smart Fix



Universal Smart Fix SG 11154 - SG 11156 and nut SG 6369:
Screw SG 11157 (M5x20) needed.

Smart Fix	X mm
SG 11154	87-115
SG 11155	117-145
SG 11156	167-195



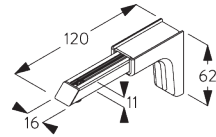
SG 6369

Nut



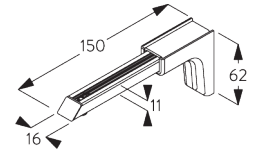
SG 11157

Pan head screw with flange
M5x20



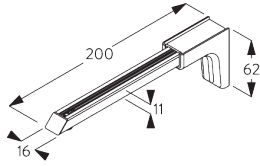
SG 11154

Universal Smart Fix 120 mm



SG 11155

Universal Smart Fix 150 mm




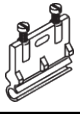
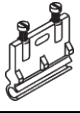

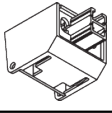



SG 11156



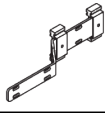
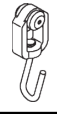

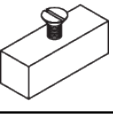
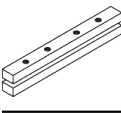
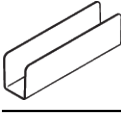


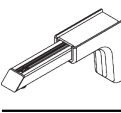
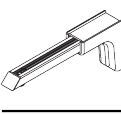
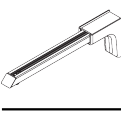
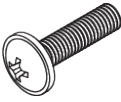
Universal Smart Fix 200 mm

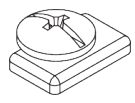
PARTS

A. STANDARD PARTS

	SG 6070 Cord ø 6 mm
	SG 6086 Spring stop
	SG 6098 Roller
	SG 6214 Pilot runner
	SG 6227 Pilot runner
	SG 6371 Profile
	SG 6377 Cord guide set
	SG 10731 Child safety retainer set

B. OPTIONAL PARTS

	SG 3582 Hook
	SG 6053 Spring stop
	SG 6079 Overlap arm
	SG 6094 Roller
	SG 6283 Roller
	SG 6369 Nut
	SG 6372 Connection bridge
	SG 6376 Connection bridge
	SG 6575 Cord tensioner
	SG 6578 Floor holder
	SG 11154 Universal Smart Fix 120 mm
	SG 11155 Universal Smart Fix 150 mm
	SG 11156 Universal Smart Fix 200 mm
	SG 11157 Pan head screw with flange M5x20

	SG 11295 End stop
---	-----------------------------

