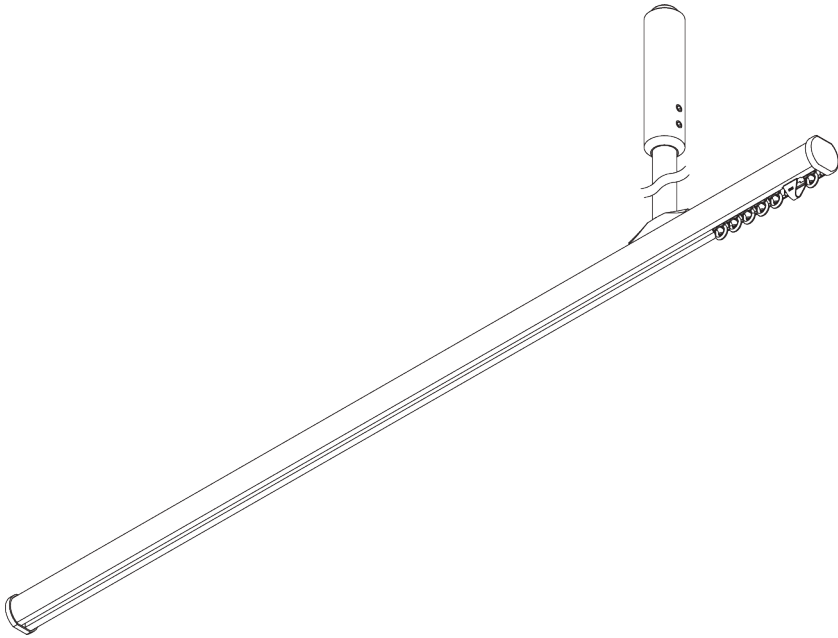
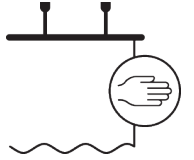


# SG 1003

---



## PRODUCT INFORMATION

- **Operation:** hand
- **Range:** S
- **Fitting:** suspended, wall, ceiling
- **Colours:** white RAL 9016 or anodised aluminum, special colours possible
- **Fabrics:** refer to Silent Gliss fabric collection

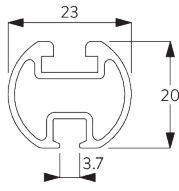
### **Features:**

- Bendable
- Suspended

# SYSTEM SPECIFICATIONS

## A. PROFILE

Profile and bending information

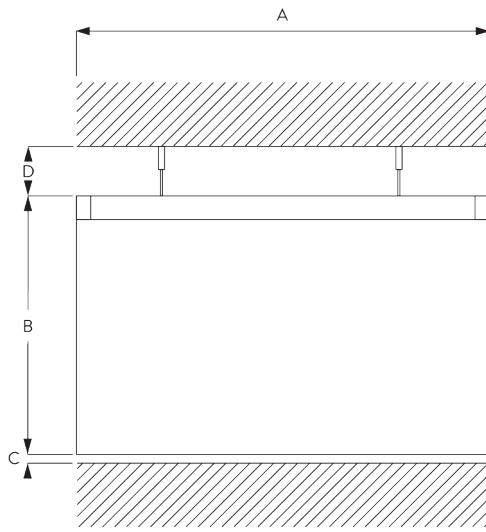


**SG 1003p**

Profile

✓ Radius:  
15 cm, 20 cm, >25 cm

## B. HOW TO MEASURE



A: System width

B: System height

C: Distance between floor and fabric

D: Distance between ceiling and system

## C. SPECIFICATION

### TEXT

#### EN

Silent Gliss SG 1003 Cubicle Curtain Track System. Comprises aluminium profile SG 1003 supplied made to measure in silver anodised or powder coated in white with gliders SG 3533/SG 3089 at 14/m. 2 stops SG 3070. 2 End caps SG 3014. Top fixed with SG 6124/SG 6190 at 800-1500 mm centres. Wall fixed with SG Smart Fix at 800-1500 mm centres.

#### SV

Silent Gliss SG 1003 dusch/draperi system. Består av aluminiumprofil SG 1003 i specificerad längd i vitlack, alu natur eller angiven RAL färg. 14 st SG 3533/3089 glid med krok per meter. 2 ändstopp SG 3070. Ändskydd SG 3014. Takmonteras med fäste SG 6124/SG 6190 c/c 800-1500 mm. Vägghängning med SG Smart Fix c/c 800-1500 mm.

#### NO

Silent Gliss SG 1003 Dusj- og Cubiclesystem Består av aluminiumprofil SG 1003 i spesifisert lengde. Hvitlakkert, alu natur eller spesifisert RAL farge. 14 st SG 3533/3089 glidere m/krok pr meter. 2 stk endestopp SG 3014. Takmonteres med feste SG 6124/SG6190 c/c 800-1500 mm. Veggmontering med SG Smart Fix c/c 800-1500 mm.

#### DA

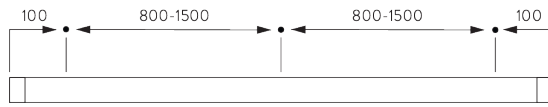
Silent Gliss SG 1003 gardinskinnesystem til kabiner. Består af aluminiumprofil SG 1003 i ønsket længde, sølvanodiseret eller hvid pulverlakering med 14 stk. glidere SG 3533/SG 3089 pr. m. 2 stop SG 3070. 2 endelåg SG 3014. Loftmonteres med SG 6124/SG 6190 i afstande på 800-1500 mm. Vægmonteres med SG Smart Fix med en afstand på 800-1500 mm.

# FITTING

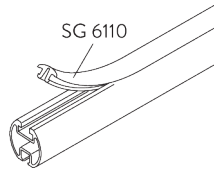
## A. FITTING INFORMATION

For detailed fitting information, visit the Silent Gliss website.

### Fixing points

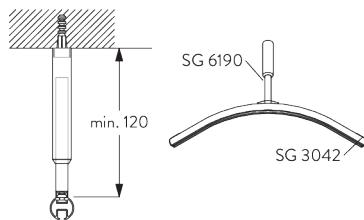


### Dust cover

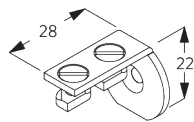


## B. CEILING FITTING

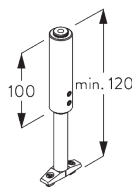
### Hanger SG 6190 / SG 6196



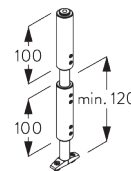
Or variant with SG 6196 double hanger.



**SG 3042**  
Wall bracket

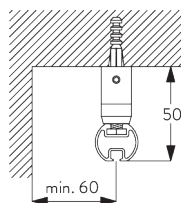


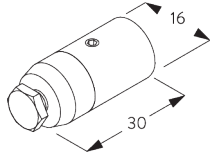
**SG 6190**  
Hanger



**SG 6196**  
Double hanger

### Mini hanger SG 6175

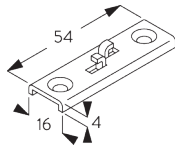
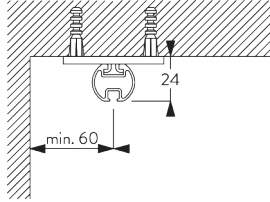




**SG 6175**

Mini hanger

**Bracket SG 6124**

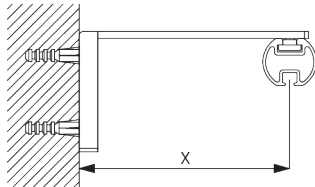


**SG 6124**

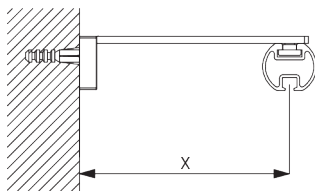
Bracket

**C. WALL FITTING**

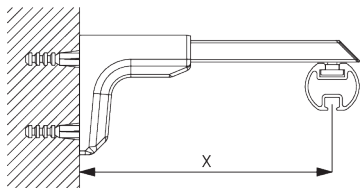
**Smart Fix**



**Smart Fix with slot SG 11206 - SG 11208:**  
Screw SG 10492 (M4x8) needed.

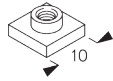


**Square Smart Fix with slot SG 11216 - SG 11218:**  
Screw SG 10492 (M4x8) needed.



**Universal Smart Fix SG 11154 - SG 11156:**  
Screw SG 11131 (M4x6) needed.

Smart Fix	X mm
SG 11206 / SG 11216	33-51
SG 11207 / SG 11217	53-71
SG 11208 / SG 11218	73-91
SG 11154	102-130
SG 11155	132-160
SG 11156	182-210



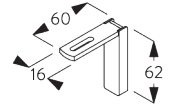
**SG 6117**  
Slot nut



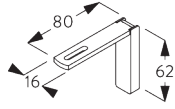
**SG 10492**  
Pan head screw M4x8



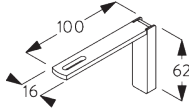
**SG 11131**  
Pan head screw with flange  
M4x6



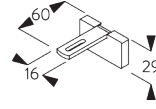
**SG 11206**  
Smart Fix with slot 60 mm



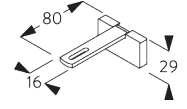
**SG 11207**  
Smart Fix with slot 80 mm



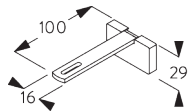
**SG 11208**  
Smart Fix with slot 100 mm



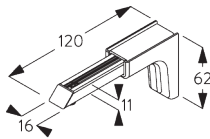
**SG 11216**  
Square Smart Fix with slot 60  
mm



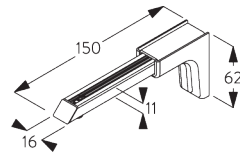
**SG 11217**  
Square Smart Fix with slot 80  
mm



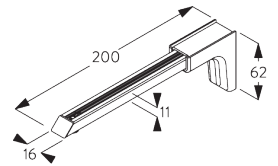
**SG 11218**  
Square Smart Fix with slot  
100 mm



**SG 11154**  
Universal Smart Fix 120 mm




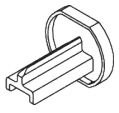

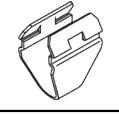

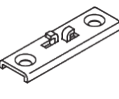
**SG 11155**  
Universal Smart Fix 150 mm



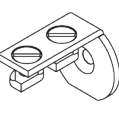


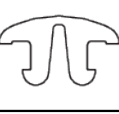
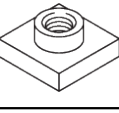
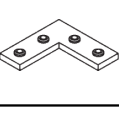
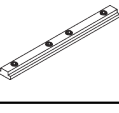
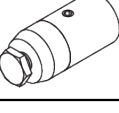
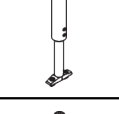
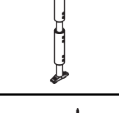
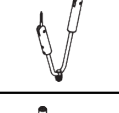
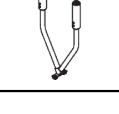
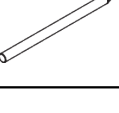

**SG 11156**  
Universal Smart Fix 200 mm




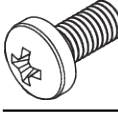
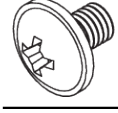
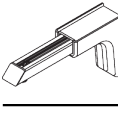
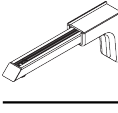
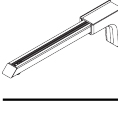
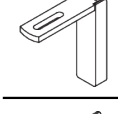
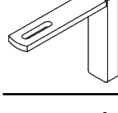
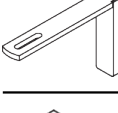
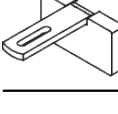
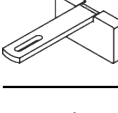
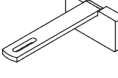
# PARTS

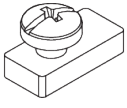
## A. STANDARD PARTS

	<b>SG 1003p</b> Profile
	<b>SG 3014</b> End cover
	<b>SG 3070</b> End stop
	<b>SG 3085</b> Spring stop
	<b>SG 3533</b> Glider
	<b>SG 6124</b> Bracket

## B. OPTIONAL PARTS

	<b>SG 3042</b> Wall bracket
	<b>SG 3534</b> Glider 3533 on strip
	<b>SG 3582</b> Hook
	<b>SG 6110</b> Dust cover
	<b>SG 6117</b> Slot nut
	<b>SG 6125</b> Corner connection piece
	<b>SG 6173</b> Connection bridge
	<b>SG 6175</b> Mini hanger
	<b>SG 6190</b> Hanger
	<b>SG 6196</b> Double hanger
	<b>SG 6501</b> V-Hanger
	<b>SG 6530</b> V-Hanger
	<b>SG 10430</b> Draw rod 50 cm
	<b>SG 10431</b> Draw rod 75 cm

	<b>SG 10432</b> Draw rod 100 cm
	<b>SG 10433</b> Draw rod 125 cm
	<b>SG 10434</b> Draw rod 150 cm
	<b>SG 10492</b> Pan head screw M4x8
	<b>SG 11131</b> Pan head screw with flange M4x6
	<b>SG 11154</b> Universal Smart Fix 120 mm
	<b>SG 11155</b> Universal Smart Fix 150 mm
	<b>SG 11156</b> Universal Smart Fix 200 mm
	<b>SG 11206</b> Smart Fix with slot 60 mm
	<b>SG 11207</b> Smart Fix with slot 80 mm
	<b>SG 11208</b> Smart Fix with slot 100 mm
	<b>SG 11216</b> Square Smart Fix with slot 60 mm
	<b>SG 11217</b> Square Smart Fix with slot 80 mm
	<b>SG 11218</b> Square Smart Fix with slot 100 mm



---

**SG 11335**

*End stop*

---

