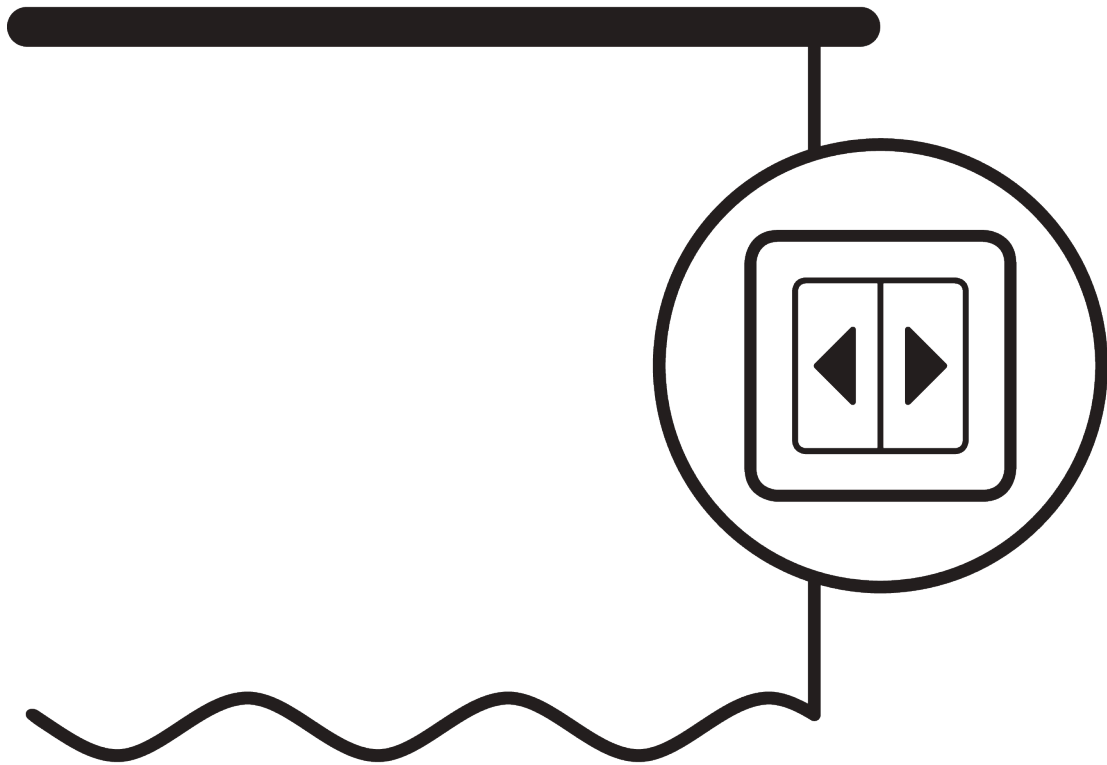


ELECTRIC CURTAIN TRACK SYSTEMS



GENERAL NOTES

Dimensions

- Measurements are in mm except where indicated.
- Max. kg relates to fabric incl. accessories.
- Stack size depends on curtain make-up and fabric thickness.
- Distance between gliders max. 80 mm / distance between rollers max. 100 mm.
- Recommended distance floor / fabric: 20 mm.
- In order to determine system height (B), the smallest room height must be taken into account.
- Full functionality may be affected if the curtain touches the profile.









Fitting

- Installation by qualified fitter only.
- Number of brackets and fitting positions / fixing points vary depending on fitting surface, system weight, fabric make-up, screw / fixing type and obstacles.
- Qualified fitter must use appropriate screws / fixings for each situation.
- Profile lip if applicable to be installed to room side.
- Electrical installations must be carried out according to Silent Gliss wiring diagrams and conform to local regulations.
- Check space for cables and plugs!

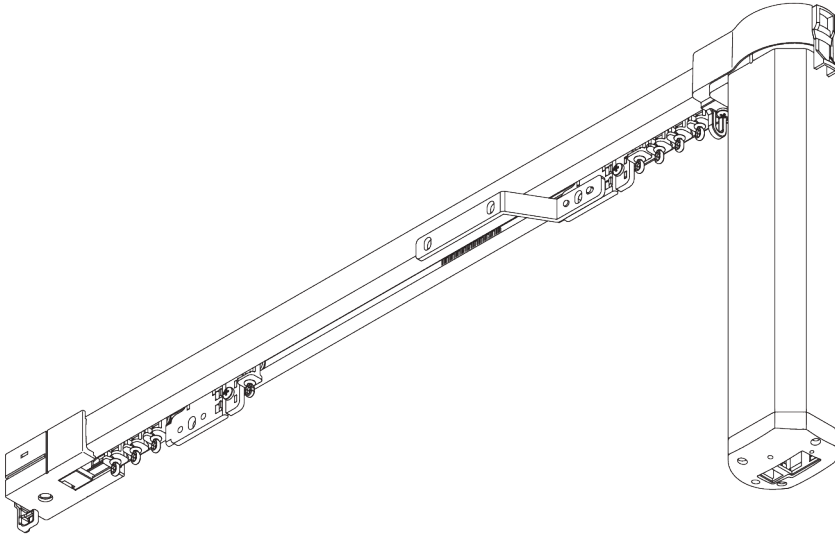
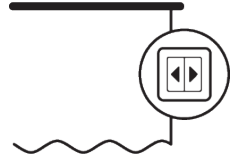
Child Safety

- All relevant Silent Gliss systems correspond to child safety EN 13120.
- All parties involved must comply with EN 13120.

APPLICATION CHART

| <u>PAGE</u> | <u>SYSTEM</u> | <u>OPERATION</u> | <u>DIMENSION</u> | <u>DESIGN</u> | <u>WAVE</u> | ← max. → | kg _{max.} |
|-------------|----------------|---|------------------|--|---|----------|--------------------|
| 5 | SG 5100 |  | S - M |  |  | 6 m | 25 kg |
| 15 | SG 5600 |  | S - L |  |  | 25 m | 65 kg |
| 29 | SG 5800 |  | L |  | | 60 m | 270 kg |

SG 5100



PRODUCT INFORMATION

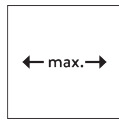
- **Operation:** motorised
- **Range:** S - M
- **Fitting:** ceiling, wall
- **Colours:** white RAL 9016
- **Fabrics:** refer to Silent Gliss fabric collection

Features:

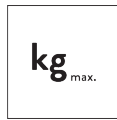
- Wave
- Various control options
- Touch & Go
- Manual override
- Different motor versions
- Bendable

SYSTEM SPECIFICATIONS

A. SYSTEM DIMENSIONS



6 m



25 kg

Max. curtain weights with rollers

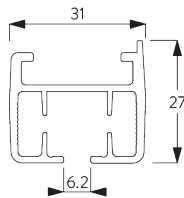
| | 3 m | 6 m |
|-----------|-----|-----|
| | 20 | 25 |
| | 20 | 25 |
| | 20 | 17 |
| | 20 | 17 |
| | 15 | 13 |
| | 15 | 13 |
| | 12 | 10 |
| | 12 | 10 |
| (kg max.) | | |

Max. curtain weights with Wave gliders

| | 3 m | 6 m |
|-----------|-----|-----|
| | 20 | 20 |
| | 20 | 20 |
| | 18 | 14 |
| | 18 | 14 |
| | 12 | 10 |
| | 12 | 10 |
| | 10 | 9 |
| | 10 | 9 |
| (kg max.) | | |

B. PROFILE

Profile and bending information

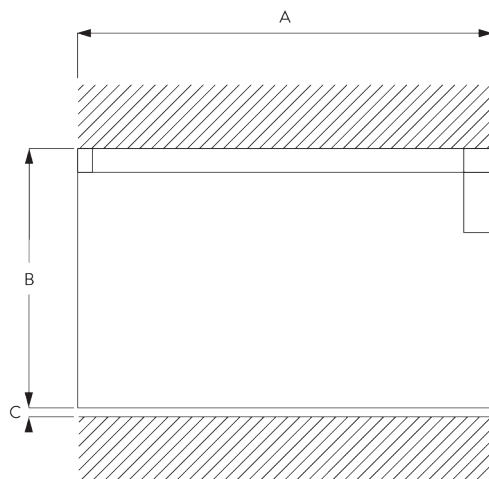


SG 10925

Profile



C. HOW TO MEASURE



A: System width
B: System height
C: Distance between floor and fabric

D. SPECIFICATION TEXT

EN

Silent Gliss SG 5100 Electrically Operated Curtain Track. Comprises aluminium profile SG 10925 in white complete and assembled with motor SG 5190, internal drive belt SG 10825, gliders SG 10931 at 10/m. Ceiling fix with SG 10926 clamps/ face fix with Smart Fix at maximum 500 mm centres. Operation via wireless wall switch SG 10946-49 or via low voltage contacts. Silent Gliss Wave option is available.

SV

Silent Gliss SG 5100 eldragssystem. Består av aluminiumprofil SG 10925 i specificerad längd i vitlack eller angiven RAL färg med motor SG 5190 monterad. 10 st SG 10931 glid per meter. Takmonteras med fäste SG 10926 c/c 500 mm. Vägghäring med SG Smart Fix c/c 500 mm. Styrning med trådlös väggändare SG 10946-49 eller med lågvoltkontakt. Kan användas med system Wave.

NO

Silent Gliss SG 5100 Elektrisk gardinskinne. Består av aluminiumprofil SG 10925 i spesifisert lengde, standard i hvitlakkert eller spesifisert RAL farge. Motor SG 5190. 10 stk SG 10931 glide per meter. Takmonteres med feste SG 10926 c/c 500 mm. Veggmontering med SG Smart Fix c/c 500 mm. Styring med trådløs veggsender SG 10946-49 eller med lavvoltage kontakt. Kan kombineres med Wave system.

DA

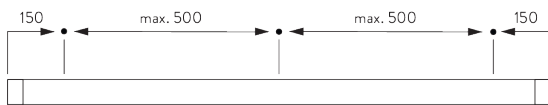
Silent Gliss SG 5100 elektrisk gardinskinnesystem. Består af aluminiumprofil SG 10925 i hvidt, fuldstændig samlet med motor SG 5190, drivrem SG 10825, 10 stk. glide SG 10931 pr. m. Loftmonteres med klemmer SG 10926 clamps/ væghæring med Smart Fix med en afstand på højst 500 mm. Styres med en trådløs vægkontakt SG 10946-49 eller lavspændingskontakter. Kan bruges med Silent Gliss Wave.

FITTING

A. FITTING INFORMATION

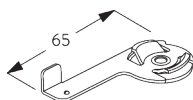
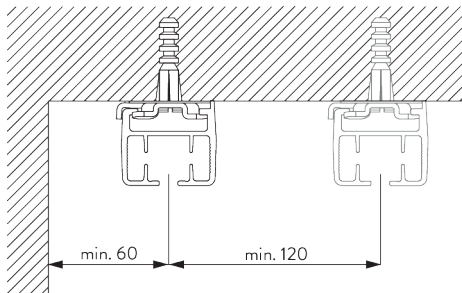
For detailed fitting information, visit the Silent Gliss website.

Fixing points



B. CEILING FITTING

Clamp SG 10926

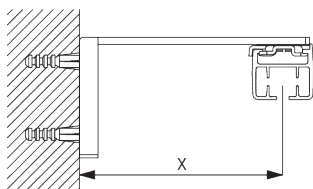


SG 10926

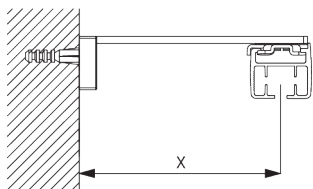
Clamp

C. WALL FITTING

Smart Fix

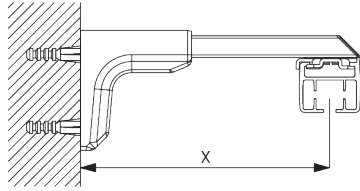


Smart Fix SG 11201 - SG 11205 and clamp SG 10926:
Screw SG 11127 (M4x10) needed.



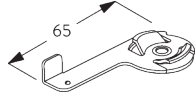
Square Smart Fix SG 11211 - SG 11215 and clamp SG 10926:
Screw SG 11127 (M4x10) needed.

| Smart Fix | X mm |
|---------------------|---------|
| SG 11201 / SG 11211 | 72 |
| SG 11202 / SG 11212 | 92 |
| SG 11203 / SG 11213 | 112 |
| SG 11204 / SG 11214 | 142 |
| SG 11205 / SG 11215 | 192 |
| SG 11154 | 102-130 |
| SG 11155 | 132-160 |
| SG 11156 | 182-210 |



**Universal Smart Fix SG 11154 - SG 11156 and clamp
SG 10926:**

Screw SG 11158 (M4x12) needed.



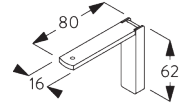
SG 10926
Clamp



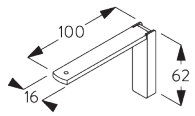
SG 11127
Countersunk head screw
M4x10



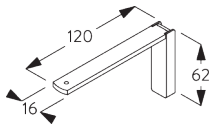
SG 11158
Countersunk head screw
M4x12



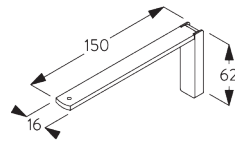
SG 11201
Smart Fix 80 mm



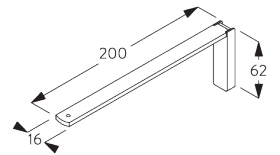
SG 11202
Smart Fix 100 mm



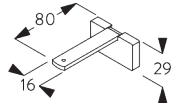
SG 11203
Smart Fix 120 mm



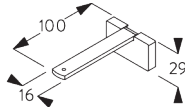
SG 11204
Smart Fix 150 mm



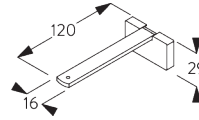
SG 11205
Smart Fix 200 mm



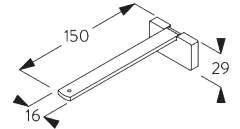
SG 11211
Square Smart Fix 80 mm



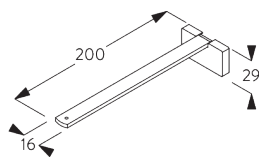
SG 11212
Square Smart Fix 100 mm



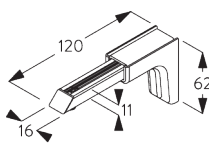
SG 11213
Square Smart Fix 120 mm



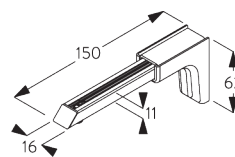
SG 11214
Square Smart Fix 150 mm



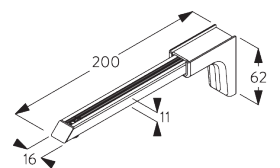
SG 11215
Square Smart Fix 200 mm



SG 11154
Universal Smart Fix 120 mm



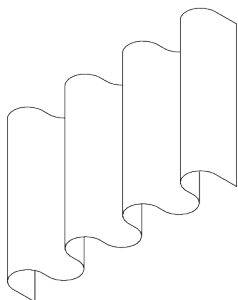
SG 11155
Universal Smart Fix 150 mm



SG 11156
Universal Smart Fix 200 mm

SYSTEM OPTIONS

A. WAVE



SG 6365



SG 10854



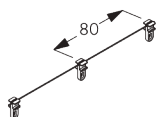
SG 10856



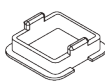
SG 10867



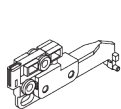
SG 10887



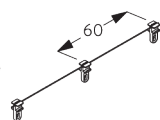
SG 10905



SG 10924



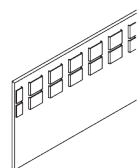
SG 10845



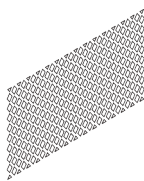
SG 10906



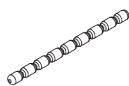
SG 3582



SG 6349



SG 6363



SG 10075



SG 10076

Standard components:

- SG 6365 Wave hanger
- SG 10854 Wave overlap arm support
- SG 10856 Wave end stop, belt return
- SG 10867 Panhead screw
- SG 10887 Wave overlap arm set
- SG 10905 Wave glider cord 80 mm
- SG 10924 Wave glider support

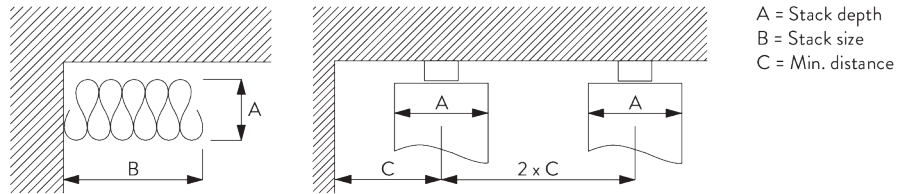
Optional components:

- SG 10845 Wave master carrier single stack 80 mm
- SG 10906 Wave glider cord 60 mm (no single stack)

Curtain components:

- SG 3582 Hook
- SG 6349 Wave curtain tape
- SG 6363 Wave top hemming tape
- SG 10075 Lead weight 50 gr/m
- SG 10076 Fabric weight

Wave stack depth - glider cord (standard components)



| Glider cord SG 10905 | Pockets between hooks | Approx. curtain fullness | Stack depth A | Stack size B* | Min distance C |
|----------------------|-----------------------|--------------------------|---------------|------------------------|----------------|
| 80 | 6 | ~2.1 | 140 | 180 per metre of track | 90 |
| 80 | 7 | ~2.3 | 160 | 180 per metre of track | 100 |

| Glider cord SG 10906 | Pockets between hooks | Approx. curtain fullness | Stack depth A | Stack size B* | Min distance C |
|----------------------|-----------------------|--------------------------|---------------|------------------------|----------------|
| 60 | 4 | ~2.1 | 100 | 230 per metre of track | 70 |
| 60 | 5 | ~2.3 | 120 | 230 per metre of track | 80 |

*Stack size B plus 180 mm for each curtain stack!

MOTORS & CONTROLS

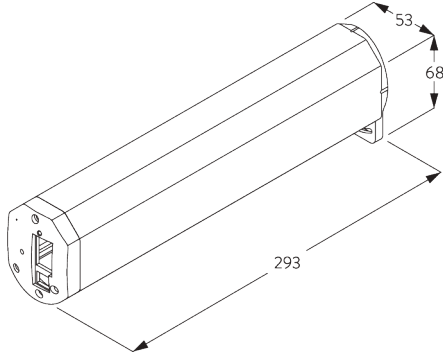
A. MOTOR FEATURES

| Motors | SG 5190 | SG 5192 | SG 5193 |
|---|---------|---------|---------|
| Motor Features | | | |
| Soft start / stop | ● | ● | ● |
| Touch & Go | ● | ● | |
| Manual Override | ● | ● | ● |
| Built-in receiver | ● | ● | |
| Electronic end-stop | ● | ● | ● |
| Electronic revolution counter (unlimited revolution) | ● | ● | ● |
| Parallel wiring possible without additional relays | ● | ● | ● |
| Cable connectable with plug into motor | | ● | |
| IP class | IP 20 | IP 20 | IP 20 |
| Control Features | | | |
| Mains power control | | | ● |
| Dry contact control | ● | ● | |
| Dry contact and / or SG Control A | ● | ● | |
| SG Control A | ● | ● | |
| Suitable for all common home automation systems (with suitable interface) | ● | ● | ● |

**B. MOTOR
SPECIFICATIONS**

| Motors | Motor dimensions | Voltage | Current | Frequency | System speed / sec | Frequency receiver |
|---------|---------------------|----------------|-------------|------------|--------------------|--------------------|
| SG 5190 | L 293 x W 53 x D 68 | 100 - 240 V AC | 0.8 - 0.4 A | 50 / 60 Hz | 15 cm / sec | 433 MHz |
| SG 5192 | L 293 x W 53 x D 68 | 24 V DC | 3.5 A | n/a | 15 cm / sec | 433 MHz |
| SG 5193 | L 293 x W 53 x D 68 | 100 - 240 V AC | 0.8 - 0.4 A | 50 / 60 Hz | 15 cm / sec | n/a |

**C. MOTOR
DIMENSIONS**



**D. OPERATING
METHODS**

See catalogue "controls" for details.

Wall switch



System can be operated by fixed wall switch.

Silent Gliss Control A



Various radio hand-held and wall transmitters available.

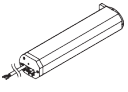
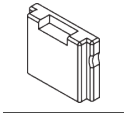
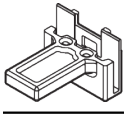
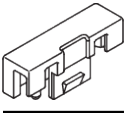
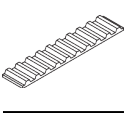
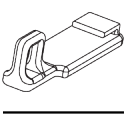
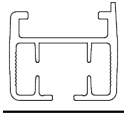
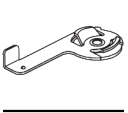

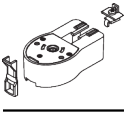
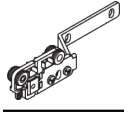
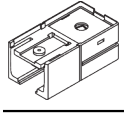
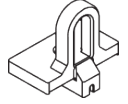
**E. WIRING
DIAGRAMS**



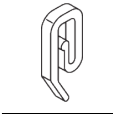
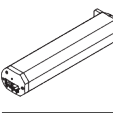
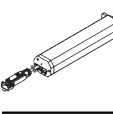

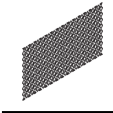
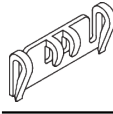
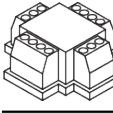
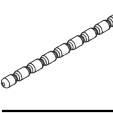
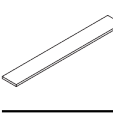

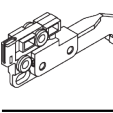
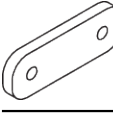
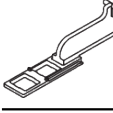
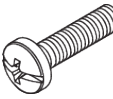
Refer to Silent Gliss website.

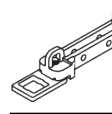
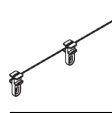
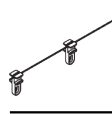
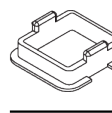
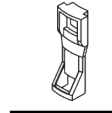
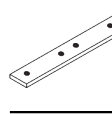
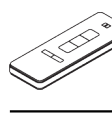
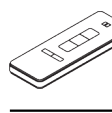
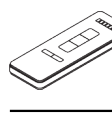
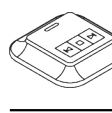
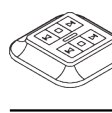
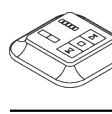
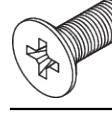
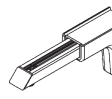
PARTS

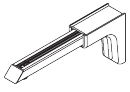
A. STANDARD PARTS

| | |
|---|--|
|  | SG 5190 Motor 100-240V AC, 1/130, radio receiver |
|  | SG 10815 Cover |
|  | SG 10823 Belt connector arm |
|  | SG 10824 Belt connector pin |
|  | SG 10825 Belt |
|  | SG 10836 Mask pair stack |
|  | SG 10925 Profile |
|  | SG 10926 Clamp |
|  | SG 10931 Roller |
|  | SG 10933 Gear drive set |
|  | SG 10936 Overlap arm |
|  | SG 10940 Guide return |
|  | SG 10945 End stop |

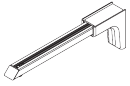
B. OPTIONAL PARTS

| | |
|---|--|
|  | SG 3582 Hook |
|  | SG 5192 Motor 24V DC, 1/130, radio receiver |
|  | SG 5193 Motor 100-240V AC, 1/130, mains controlled |
|  | SG 6349 Wave curtain tape |
|  | SG 6363 Wave top hemming tape |
|  | SG 6365 Wave hanger |
|  | SG 9959 Central control unit relay |
|  | SG 10075 Lead weight 50 g/m |
|  | SG 10076 Fabric weight |
|  | SG 10822 Master carrier |
|  | SG 10845 Wave master carrier 80 mm |
|  | SG 10854 Wave overlap plate |
|  | SG 10856 Wave extension |
|  | SG 10867 Pan head screw Freedriv M4x16 |

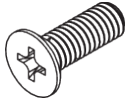
| | |
|---|---|
|  | SG 10887 Wave extension |
|  | SG 10905 Wave glider cord 80 mm |
|  | SG 10906 Wave glider cord 60 mm |
|  | SG 10924 Wave glider support |
|  | SG 10927 Hook |
|  | SG 10943 Connection bridge |
|  | SG 10946 Radio hand held 1 channel |
|  | SG 10947 Radio hand held 2+1 channel |
|  | SG 10948 Radio hand held 6+1 channel |
|  | SG 10949 Radio wall transmitter 1 channel |
|  | SG 10950 Radio wall transmitter 2 channel |
|  | SG 10951 Radio wall transmitter 5+1 channel |
|  | SG 11127 Countersunk head screw M4x10 |
|  | SG 11154 Universal Smart Fix 120 mm |

**SG 11155**

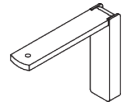
Universal Smart Fix 150 mm

**SG 11156**

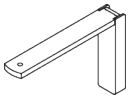
Universal Smart Fix 200 mm

**SG 11158**

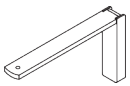
Countersunk head screw M4x12

**SG 11201**

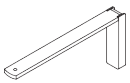
Smart Fix 80 mm

**SG 11202**

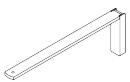
Smart Fix 100 mm

**SG 11203**

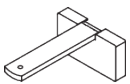
Smart Fix 120 mm

**SG 11204**

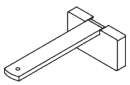
Smart Fix 150 mm

**SG 11205**

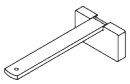
Smart Fix 200 mm

**SG 11211**

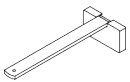
Square Smart Fix 80 mm

**SG 11212**

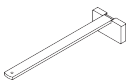
Square Smart Fix 100 mm

**SG 11213**

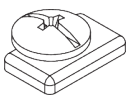
Square Smart Fix 120 mm

**SG 11214**

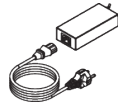
Square Smart Fix 150 mm

**SG 11215**

Square Smart Fix 200 mm

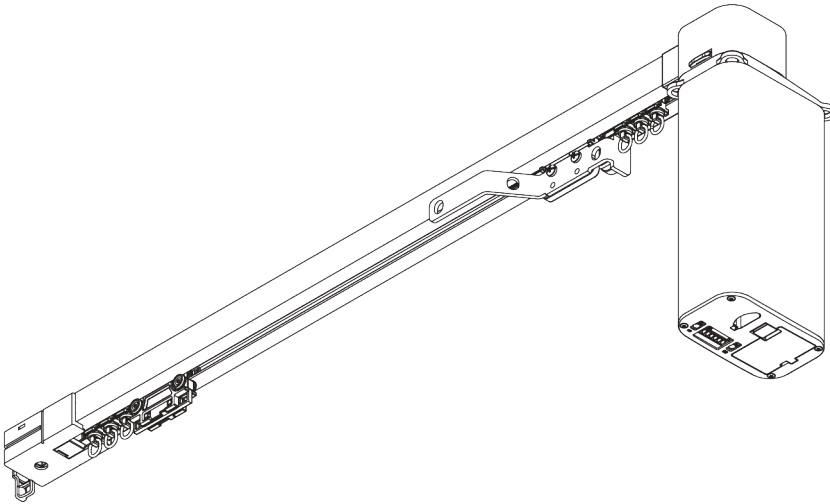
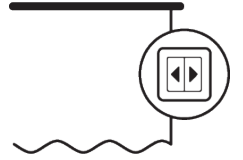
**SG 11295**

End stop

**SG 11414**

Power supply 24V / 4A including
cable EU plug

SG 5600



PRODUCT INFORMATION

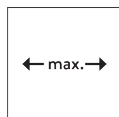
- **Operation:** motorised
- **Range:** S - L
- **Fitting:** ceiling, wall, recess
- **Colours:** white RAL 9016, black RAL 9005 or anodised aluminum, special colours possible (recess profile only in white RAL 9016, black RAL 9005 or special color)
- **Fabrics:** refer to Silent Gliss fabric collection

Features:

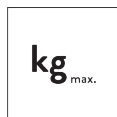
- Quiet, fast and powerful motor
- 2-component (2C) roller technology
- Wave (2C)
- Various control options
- Touch & Go
- Manual override incl. permanent positioning sensor
- Easy programming
- 100-250 AC and / or 24 V DC in one motor
- Bendable
- Bendable recess profile

SYSTEM SPECIFICATIONS

A. SYSTEM DIMENSIONS



25 m



65 kg

Max. curtain weights with 2C rollers / Wave rollers

Up to 12 m: Touch & Go, manual override, auto programming mode

| | 2 m | 4 m | 6 m | 8 m | 10 m | 12 m | 15 m | 18 m | 21 m | 25 m |
|--|-----|-----|-----|-----|------|------|------|------|------|------|
| | 25 | 45 | 45 | 50 | 65 | 45 | 45 | 45 | 45 | 40 |
| | 25 | 45 | 45 | 50 | 65 | 45 | 45 | 45 | 45 | 40 |
| | 25 | 35 | 35 | 40 | 35 | 35 | 35 | 32 | 29 | 25 |
| | 25 | 35 | 35 | 40 | 35 | 35 | 35 | 32 | 29 | 25 |
| | 25 | 30 | 30 | 30 | 25 | 25 | 22 | 19 | 15 | - |
| | 25 | 30 | 30 | 30 | 25 | 25 | 22 | 19 | 15 | - |
| | 20 | 20 | 20 | 18 | 16 | 12 | 10 | - | - | - |
| | 20 | 20 | 20 | 18 | 16 | 12 | 10 | - | - | - |

(kg max.)

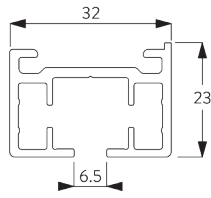
Max. curtain weights with Wave gliders

| | 2 m | 4 m | 6 m | 8 m | 10 m |
|--|-----|-----|-----|-----|------|
| | 20 | 25 | 25 | 25 | 20 |
| | 20 | 25 | 25 | 25 | 20 |
| | 20 | 20 | 20 | 20 | 15 |
| | 20 | 20 | 20 | 20 | 15 |
| | 20 | 20 | 20 | 15 | 10 |
| | 20 | 20 | 20 | 15 | 10 |
| | 20 | 20 | 15 | 8 | - |
| | 20 | 20 | 15 | 8 | - |

(kg max.)

B. PROFILE

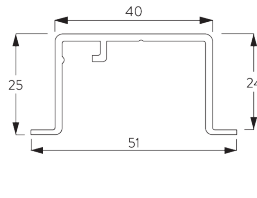
Profile and bending information



SG 10850

Profile

Radius:
✓ >25 cm

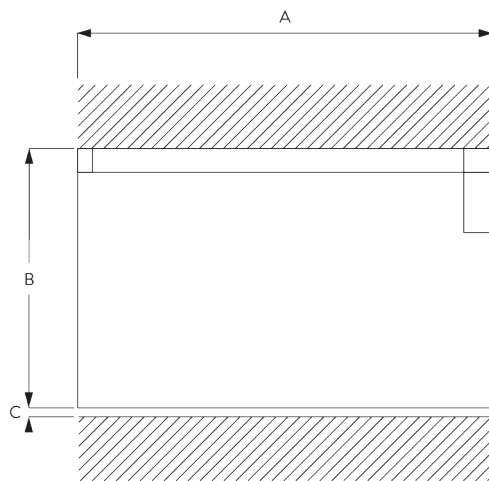


SG 10862

Recess profile

Radius:
✓ 50 - 75 cm
>75 cm on request

C. HOW TO MEASURE



A: System width
B: System height
C: Distance between floor and fabric

D. SPECIFICATION

TEXT

EN

Silent Gliss 5600 Electrically Operated Curtain Track with motor. Comprises aluminium profile SG 10850 in silver anodized / white powder coated finish alternatively a specified RAL colour. Complete and ready assembled with interference free brushless motor SG. Supplied with 2C roller gliders SG 10840. Features manual 'Touch and Go' operation and manual override in the event of power failure. Top fixed with clamps SG 3004/3041 at max. 500 mm centres / face fixed with Silent Gliss Smart Fix. Optional recess profile SG 10862. Controlled through wall switch/wireless switch or a Smart house solution. Can be used with system Wave.

SV

Silent Gliss SG 5600 eldragssystem med motor. Består av aluminiumprofil SG 10850 i specificerad längd i vitlack, alu natur eller angiven RAL färg komplett med borstlös och störningsfri motor SG 9060 monterad. 10 st SG 10840 2C rullglid per meter. Ingår inställningsmöjlighet "Touch and Go" med manuell start och säkerhetsfunktion vid strömavbrott. Takmonteras med fäste SG 3004/3041 c/c 500 mm. Vägghäring med SG Smart Fix c/c 500 mm. Kan levereras med infällningsprofil SG 10862. Styrning med väggkontakt/trådlös sändare/inkoppling mot Smarthus system. Kan användas med system Wave.

NO

Silent Gliss SG 5600 Elektrisk gardinskinne. Består av aluminiumprofil SG 10850 i spesifisert lengde, standard i hvitlakkert eller alu natur. Kan også leveres i spesifisert RAL farge. Børsteløs og lydløs motor SG 9060. 10 stk SG 10840 2C rulleglidere pr meter. Funksjonen «touch and go» er en manuell sikkerhetsfunksjon ved strømstans. Takmonteres med feste SG 10926 c/c 500 mm. Veggmontering med SG Smart Fix c/c 500 mm. Kan leveres med profil for innfelling SG 10862. Styring med veggkontakt/ trådløs sender /innkobling mot Smarthus system. Kan kombineres med Wave system.

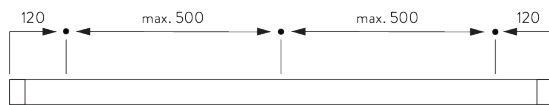
DA

Silent Gliss 5600 elektrisk gardinskinnesystem med motor. Består af en aluminiumprofil SG 10850, sølvanodiseret eller hvid pulverlakering, alternativt en specificeret RAL-farve. Fuldstændig klart og samlet med interferensfri børsteløs motor SG. Leveres med 2C rulleglidere SG 10840. Har en manuel "Touch and Go" funktion med håndbetjening ved strømafbrydelser. Loftmonteres med klemmerne SG 3004/3041 med en afstand på højst 500 mm eller vægghæring med Silent Gliss Smart Fix. Kan leveres med indfældningsprofil SG 10862. Styes med en vægkontakt, trådløs kontakt eller en Smart house-løsning. Kan bruges med system Wave.

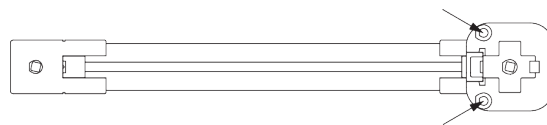
FITTING

A. FITTING INFORMATION

Fixing points



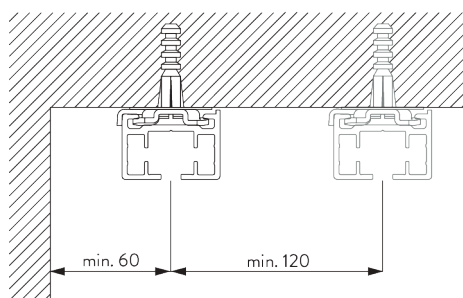
For detailed fitting information, visit the [Silent Gliss website](#).



Motor holder to be fixed (ceiling fitting only).

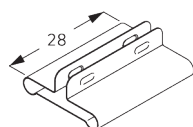
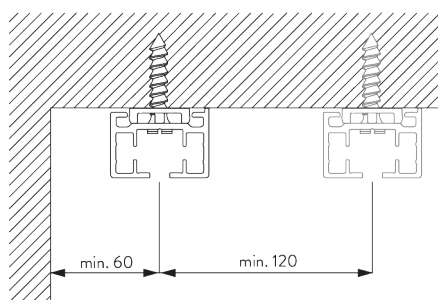
B. CEILING FITTING

Clamp SG 3004

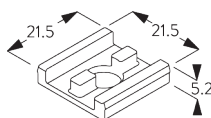


SG 3004
Clamp

Direct fitting (2C roller only)



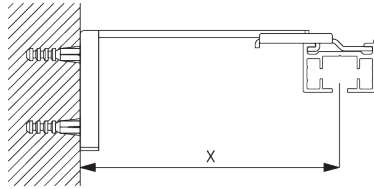
SG 7002
Profile protector



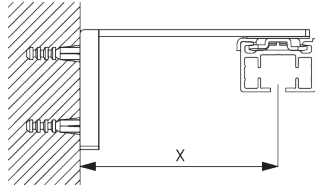
SG 10865
Support plate

C. WALL FITTING

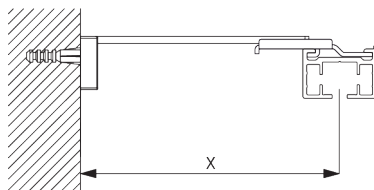
Smart Fix



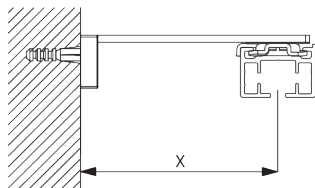
Smart Fix SG 11200 - SG 11205 and bracket SG 3041:
Screw SG 10492 (M4x8) needed.



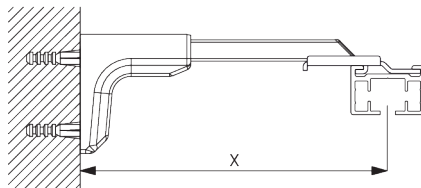
Smart Fix SG 11200 - SG 11205 and clamp SG 3004:
Screw SG 10074 (M4x8) needed.



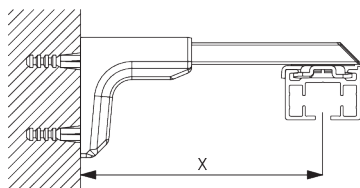
Square Smart Fix SG 11210 - SG 11215 and bracket SG 3041:
Screw SG 10492 (M4x8) needed.



Square Smart Fix SG 11210 - SG 11215 and clamp SG 3004:
Screw SG 10074 (M4x8) needed.

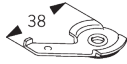


Universal Smart Fix SG 11154 - SG 11156 and bracket SG 3041:
Screw SG 10407 (M4x10) needed.

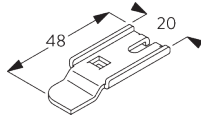


Universal Smart Fix SG 11154 - SG 11156 and clamp SG 3004:
Screw SG 11158 (M4x12) needed.

| Smart Fix | X mm (SG 3041) | X mm (SG 3004) |
|---------------------|----------------|----------------|
| SG 11200 / SG 11210 | 83 | |
| SG 11201 / SG 11211 | 103 | 72 |
| SG 11202 / SG 11212 | 123 | 92 |
| SG 11203 / SG 11213 | 143 | 112 |
| SG 11204 / SG 11214 | 173 | 142 |
| SG 11205 / SG 11215 | 223 | 192 |
| SG 11154 | 128-156 | 102-130 |
| SG 11155 | 158-186 | 132-160 |
| SG 11156 | 208-236 | 182-210 |



SG 3004
Clamp



SG 3041
Bracket



SG 10074
Countersunk head screw
M4x8



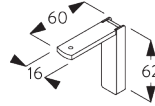
SG 10407
Pan head screw M4x10



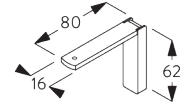
SG 10492
Pan head screw M4x8



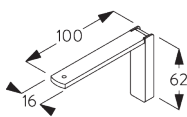
SG 11158
Countersunk head screw
M4x12



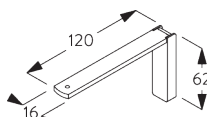
SG 11200
Smart Fix 60 mm



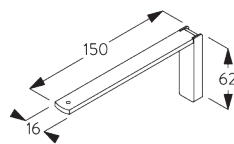
SG 11201
Smart Fix 80 mm



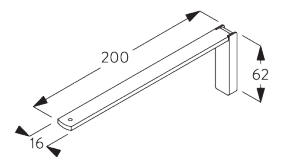
SG 11202
Smart Fix 100 mm



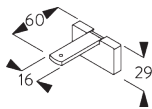
SG 11203
Smart Fix 120 mm



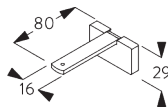
SG 11204
Smart Fix 150 mm



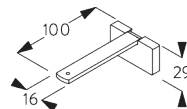
SG 11205
Smart Fix 200 mm



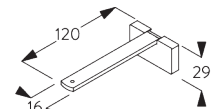
SG 11210
Square Smart Fix 60 mm



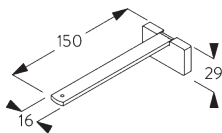
SG 11211
Square Smart Fix 80 mm



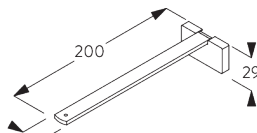
SG 11212
Square Smart Fix 100 mm



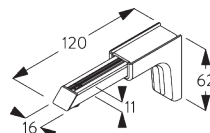
SG 11213
Square Smart Fix 120 mm



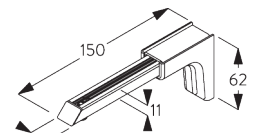
SG 11214
Square Smart Fix 150 mm



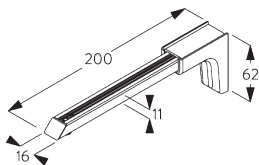
SG 11215
Square Smart Fix 200 mm



SG 11154
Universal Smart Fix 120 mm



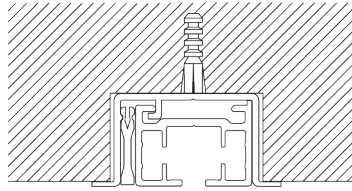
SG 11155
Universal Smart Fix 150 mm



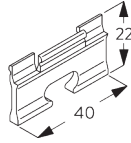
SG 11156
Universal Smart Fix 200 mm

D. RECESS FITTING

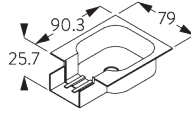
Recess profile SG 10862



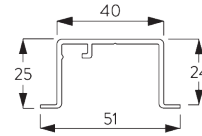
One wedge SG 5118 per fixing point.
For detailed recess fitting, visit the Silent Gliss website.



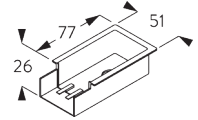
SG 5118
Wedge



SG 10863
Recess mask

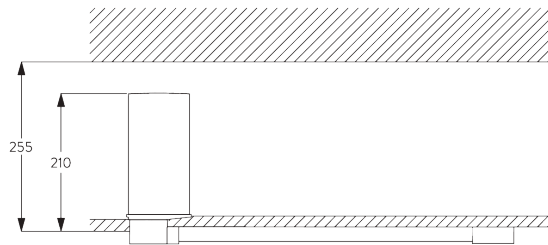


SG 10862
Recess profile



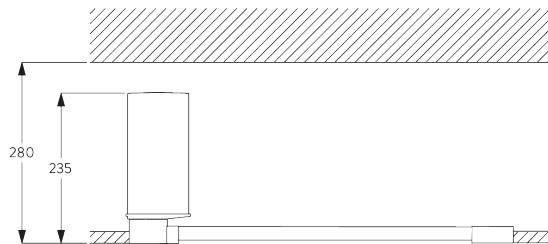
SG 10864
Recess mask

Motor recessed in suspended ceiling



Profile mounted with clamp SG 3004.

Access to the ceiling space is necessary for assembly / programming.

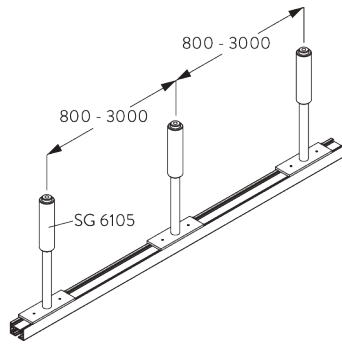


Profile SG 10862 recessed into ceiling.

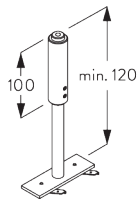
Access to the ceiling space is necessary for assembly / programming.

**E. SUSPENDED
FITTING**

Hanger SG 6105



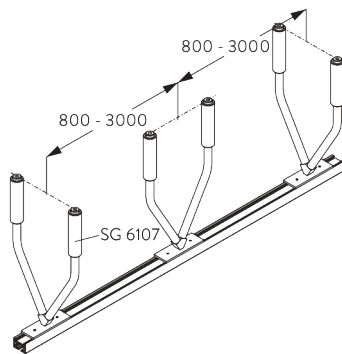
Curtain weight reduces by 30%.



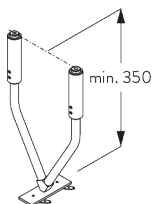
SG 6105

Hanger with plate

V-hanger SG 6107



Curtain weight reduces by 30%.

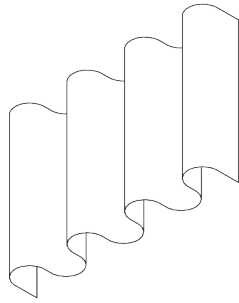


SG 6107

V-Hanger with plate

SYSTEM OPTIONS

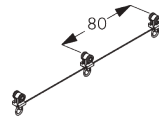
A. WAVE



SG 6365



SG 10844



SG 10852



SG 10854



SG 10856



SG 10867



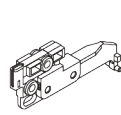
SG 10886



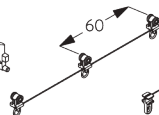
SG 10887

Standard components:

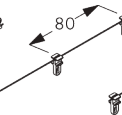
- SG 6365 Wave hanger
- SG 10844 Wave end stop
- SG 10852 Wave 2C roller cord, 80 mm
- SG 10854 Wave overlap arm support
- SG 10856 Wave end stop, belt return
- SG 10867 Panhead screw
- SG 10886 Wave extension
- SG 10887 Wave overlap arm set



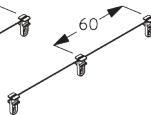
SG 10845



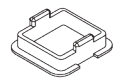
SG 10869



SG 10905



SG 10906



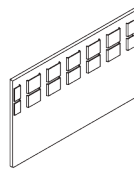
SG 10924

Optional components:

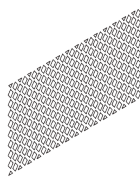
- SG 10845 Wave master carrier single stack 80 mm
- SG 10869 Wave 2C roller cord, 60 mm (no single stack)
- SG 10905 Wave glider cord, 80 mm
- SG 10906 Wave glider cord, 60 mm (no single stack)
- SG 10924 Wave glider support



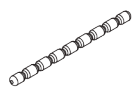
SG 3582



SG 6349



SG 6363



SG 10075

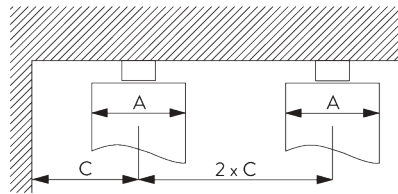
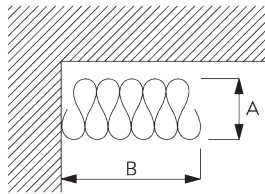


SG 10076

Curtain components:

- SG 3582 Hook
- SG 6349 Wave curtain tape
- SG 6363 Wave top hemming tape
- SG 10075 Lead weight 50 gr/m
- SG 10076 Fabric weight

Wave stack depth - 2C roller / glider cord (standard components)



A = Stack depth
B = Stack size
C = Min. distance

| Roller / glider cord SG 10852 / 10905 | Pockets between hooks | Approx. curtain fullness | Stack depth A | Stack size B* | Min distance C |
|--|--------------------------|-----------------------------|------------------|---------------------------|-------------------|
| 80 | 6 | ~2.1 | 140 | 210 per metre of track | 90 |
| 80 | 7 | ~2.3 | 160 | 210 per metre of track | 100 |

| Roller / glider cord SG 10869 / 10906 | Pockets between hooks | Approx. curtain fullness | Stack depth A | Stack size B* | Min distance C |
|--|--------------------------|-----------------------------|------------------|---------------------------|-------------------|
| 60 | 4 | ~2.1 | 100 | 260 per metre of track | 70 |
| 60 | 5 | ~2.3 | 120 | 260 per metre of track | 80 |

*Stack size B plus 190 mm for each curtain stack!

MOTOR & CONTROLS

A. MOTOR FEATURES

| | |
|-------|---------|
| Motor | SG 9060 |
|-------|---------|

Motor Features

| | |
|--|-------|
| Soft start / stop | ● |
| Touch & Go | ● |
| Manual Override | ● |
| Modular radio system (optional) | ● |
| Electronic end-stop | ● |
| Electronic revolution counter (unlimited revolution) | ● |
| Two intermediate positions possible | ● |
| Parallel wiring possible without additional relays | ● |
| High-end DC motor with brushless technology | ● |
| Permanent positioning sensor (even without power) | ● |
| 100 - 250 V AC and / or 24 V DC in one motor | ● |
| Cable connectable with plug into motor | ● |
| IP class | IP 40 |

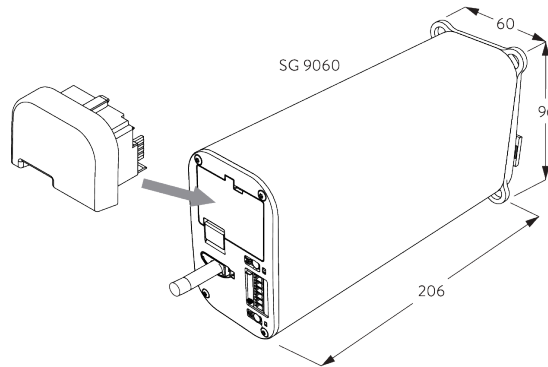
Control Features

| | |
|---|---|
| Mains power control | ● |
| Dry contact control | ● |
| Dry contact and / or SG Control L (with radio module) | ● |
| SG Control L (with radio module) | ● |
| Smart by Silent Gliss (with smart module) | ● |
| Suitable for all common home automation systems (with suitable interface) | ● |

B. MOTOR SPECIFICATIONS

| Motor | Motor dimensions | Voltage AC | Voltage DC | Current | Frequency | System speed / sec | Frequency receiver |
|-------------------------|---------------------|----------------|------------|-------------|------------|--------------------|--------------------|
| SG 9060 | L 206 x W 60 x D 96 | 100 - 250 V AC | 24 V DC | 1.3 - 0.5 A | 50 - 60 Hz | 21 cm / sec | - |
| SG 9060 w/ SG Control L | L 226 x W 60 x D 96 | 100 - 250 V AC | 24 V DC | 1.3 - 0.5 A | 50 - 60 Hz | 21 cm / sec | 868/915 MHz |
| SG 9060 w/ Smart by SG | L 226 x W 60 x D 96 | 100 - 250 V AC | 24 V DC | 1.3 - 0.5 A | 50 - 60 Hz | 21 cm / sec | Smart by SG |

C. MOTOR DIMENSIONS / MODULES



Motor SG 9060 can be equipped with following modules:

- SG 9063 Radio module SG Control L

See catalogue "controls" for details.

D. OPERATING METHODS

See catalogue "controls" for details.

Wall switch



System can be operated by fixed wall switch.

SG Control L



Various radio hand-held and wall transmitters available.



Silent Gliss Move App.

Smart by Silent Gliss



Open designed two-way communication system which allows to flawlessly integrate products with most major building management systems. Smart module SG 11270 required.

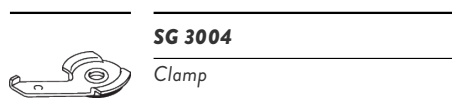
E. WIRING DIAGRAMS



Refer to Silent Gliss website.

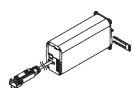
PARTS

A. STANDARD PARTS



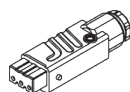
SG 3004

Clamp



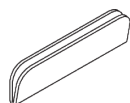
SG 9060

Motor 100-250V AC & 24V DC



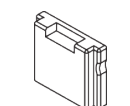
SG 9917

Hirschmann portable socket-outlet STAK 3 N



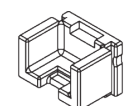
SG 10725

Programming distance holder



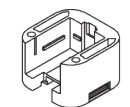
SG 10815

Cover



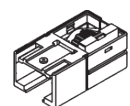
SG 10816

Cover



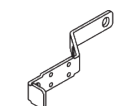
SG 10817

Motor holder



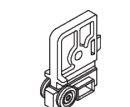
SG 10819

Belt return



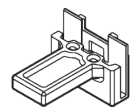
SG 10821

Overlap arm



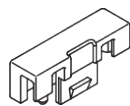
SG 10822

Master carrier



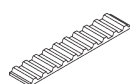
SG 10823

Belt connector arm



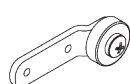
SG 10824

Belt connector pin



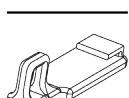
SG 10825

Belt



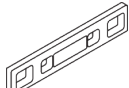
SG 10826

Overlap arm support



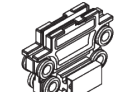
SG 10836

Mask pair stack



SG 10837

Pilot runner



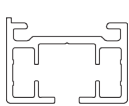
SG 10838

Pilot runner



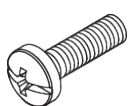
SG 10840

2C roller



SG 10850

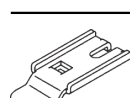
Profile



SG 10923

Pan head screw Freedriv M4x12

B. OPTIONAL PARTS



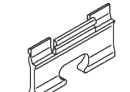
SG 3041

Bracket



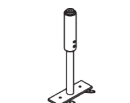
SG 3582

Hook



SG 5118

Wedge



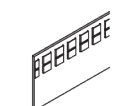
SG 6105

Hanger with plate



SG 6107

V-Hanger with plate



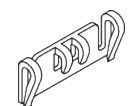
SG 6349

Wave curtain tape



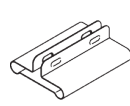
SG 6363

Wave top hemming tape



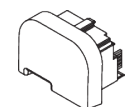
SG 6365

Wave hanger



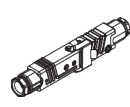
SG 7002

Profile protector



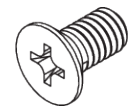
SG 9063

Radio module type L



SG 9916

Hirschmann plug set



SG 10074

Countersunk head screw M4x8



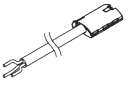
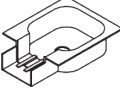
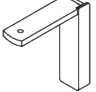
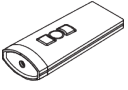
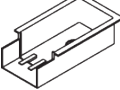
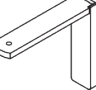

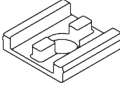
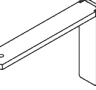
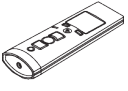
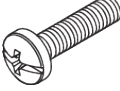
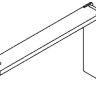
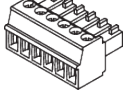

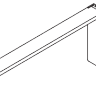
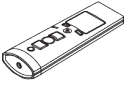
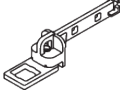
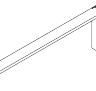
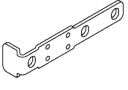
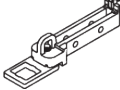
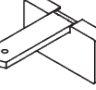


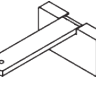
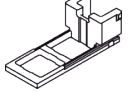

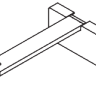
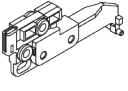
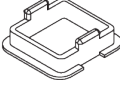
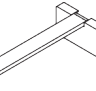

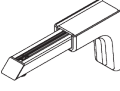
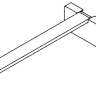
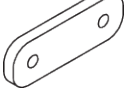
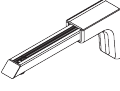
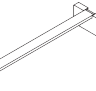

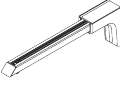
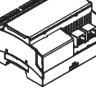
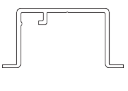
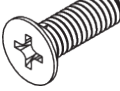

SG 10075

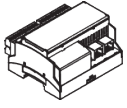
Lead weight 50 g/m



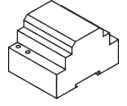
SG 10076

Fabric weight

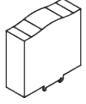
| | | | | | |
|---|---|---|--|---|--|
|  | SG 10293 Cable 230V AC, 2/3/5/10 m |  | SG 10863 Recess mask |  | SG 11200 Smart Fix 60 mm |
|  | SG 10300 Radio hand held 1 channel |  | SG 10864 Recess mask |  | SG 11201 Smart Fix 80 mm |
|  | SG 10302 Radio hand held 5+1 channel |  | SG 10865 Support plate |  | SG 11202 Smart Fix 100 mm |
|  | SG 10303 Radio hand held 10+2+1 channel |  | SG 10867 Pan head screw Freedriv M4x16 |  | SG 11203 Smart Fix 120 mm |
|  | SG 10714 Plug 6-pin, MC 1.5/6-ST-3.81 |  | SG 10869 Wave 2C roller cord 60 mm |  | SG 11204 Smart Fix 150 mm |
|  | SG 10804 Radio hand held 15+5+1 channel |  | SG 10886 Wave extension |  | SG 11205 Smart Fix 200 mm |
|  | SG 10820 Overlap arm |  | SG 10887 Wave extension |  | SG 11210 Square Smart Fix 60 mm |
|  | SG 10831 Connection bridge |  | SG 10905 Wave glider cord 80 mm |  | SG 11211 Square Smart Fix 80 mm |
|  | SG 10844 Wave end stop |  | SG 10906 Wave glider cord 60 mm |  | SG 11212 Square Smart Fix 100 mm |
|  | SG 10845 Wave master carrier 80 mm |  | SG 10924 Wave glider support |  | SG 11213 Square Smart Fix 120 mm |
|  | SG 10852 Wave 2C roller cord 80 mm |  | SG 11154 Universal Smart Fix 120 mm |  | SG 11214 Square Smart Fix 150 mm |
|  | SG 10854 Wave overlap plate |  | SG 11155 Universal Smart Fix 150 mm |  | SG 11215 Square Smart Fix 200 mm |
|  | SG 10856 Wave extension |  | SG 11156 Universal Smart Fix 200 mm |  | SG 11260 Gateway Cedia |
|  | SG 10862 Recess profile |  | SG 11158 Countersunk head screw M4x12 |  | SG 11261 Gateway KNX |



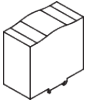
SG 11262
Expansion unit



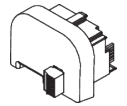
SG 11264
Power supply 24V DC, 3.8 Ampere
DIN Rail



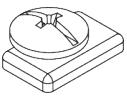
SG 11265
Power supply 24V DC, 5 Ampere
DIN Rail



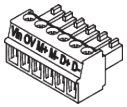
SG 11266
Power supply 24V DC, 10 Ampere
DIN Rail



SG 11270
Smart module



SG 11295
End stop



SG 11325
Smart plug 6-pin, MC 1.5/6 ST-3.81

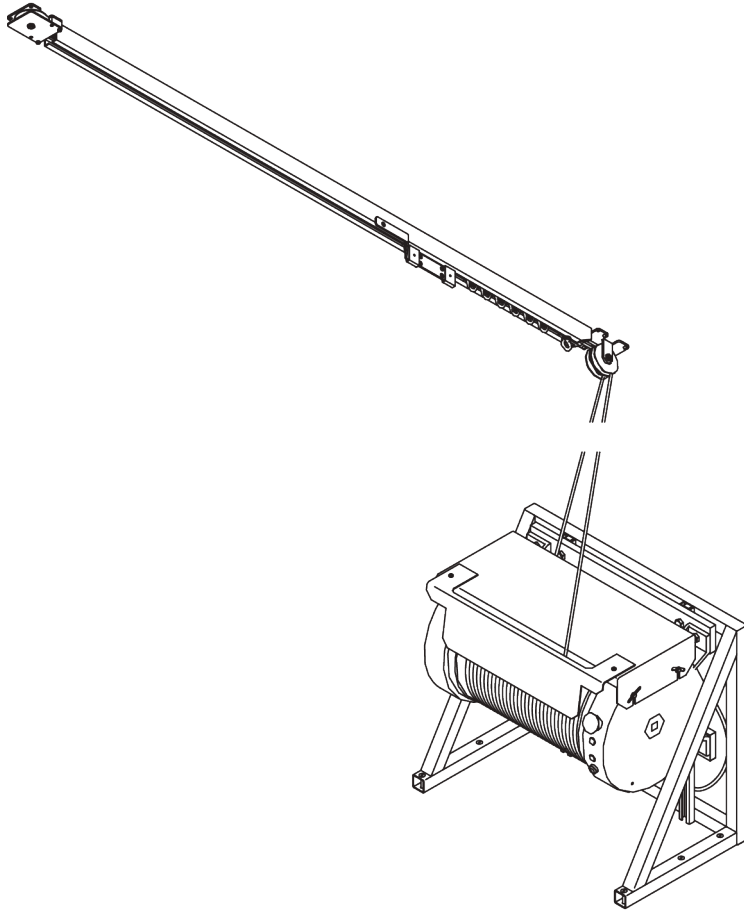
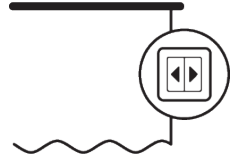


SG 11480
Radio wall transmitter 1 channel



SG 11490
Radio wall transmitter 5+1 channel

SG 5800



PRODUCT INFORMATION

- **Operation:** motorised
- **Range:** L
- **Fitting:** ceiling, floor/wall motor fitting
- **Colours:** white RAL 9016 or anodised aluminum, special colours possible
- **Fabrics:** refer to Silent Gliss fabric collection

Features:

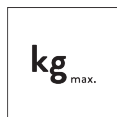
- Stage system
- Various control options
- Emergency stop button
- Bendable

SYSTEM SPECIFICATIONS

A. SYSTEM DIMENSIONS



60 m



270 kg

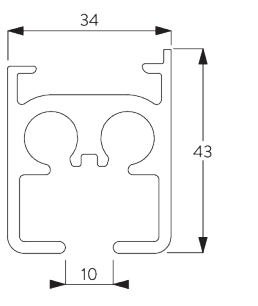
Max. curtain weights

| | 10 m | 20 m | 30 m | 40 m | 50 m | 60 m |
|--|------|------|------|------|------|------|
| | 245 | 227 | 210 | - | - | - |
| | 270 | 252 | 234 | 216 | 198 | 180 |
| | 185 | 173 | 160 | - | - | - |
| | 190 | 180 | 170 | 160 | 150 | 140 |
| | 135 | 127 | 120 | - | - | - |
| | 140 | 132 | 124 | 116 | 108 | 100 |
| | 70 | 65 | 60 | - | - | - |
| | 75 | 68 | 61 | 54 | 47 | 40 |
| | 55 | 45 | 40 | - | - | - |
| | 60 | 57 | 54 | 51 | 48 | 45 |

(kg max.)

B. PROFILE

Profile and bending information

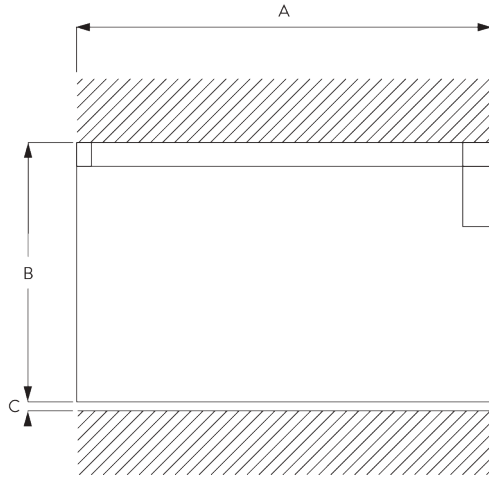


SG 5810

Profile

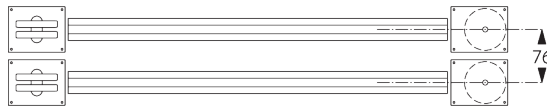


**C. HOW TO
MEASURE**



A: System width
B: System height
C: Distance between floor and fabric

Parallel mounting of profiles



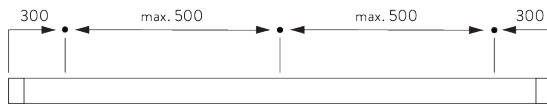
For better overlapping, two profiles can be mounted in parallel. Min. 76 mm between centre parts of return pulleys.

FITTING

**A. FITTING
INFORMATION**

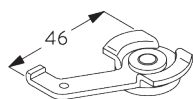
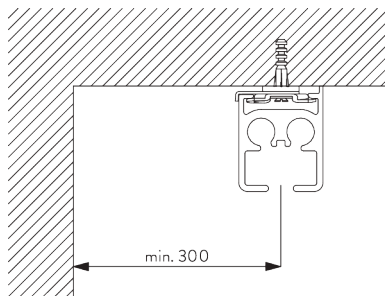
For detailed fitting information, visit the *Silent Gliss* website.

Fixing points



B. CEILING FITTING

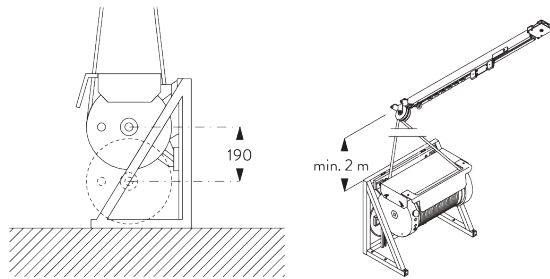
Clamp SG 6209



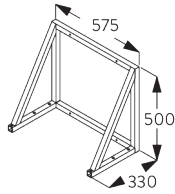
SG 6209
Clamp

C. MOTOR FITTING

Floor with frame SG 5813 and SG 5821 / SG 5822

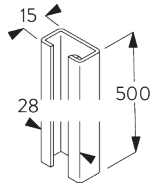


Steel core rope is tensioned by using the motor weight.
Vertical variation possible up to 190 mm.



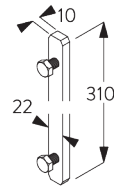
SG 5813

Floor mounting frame



SG 5821

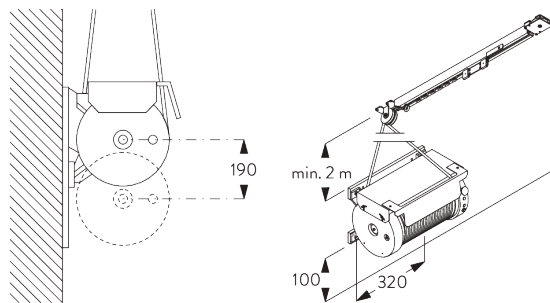
Anchor rail



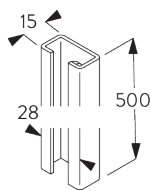
SG 5822

Sliding block

Wall with SG 5821 / SG 5822

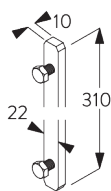


Steel core rope is tensioned by using the motor weight.
Vertical variation possible up to 190 mm.



SG 5821

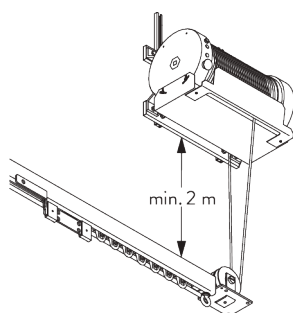
Anchor rail



SG 5822

Sliding block

Wall above track



MOTOR & CONTROLS

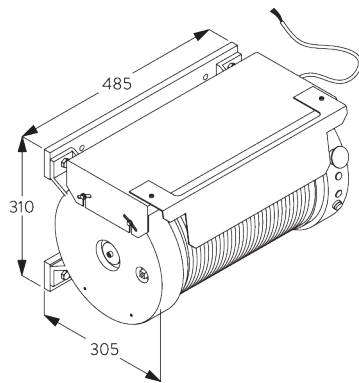
A. MOTOR FEATURES

| Motor | SG 5805 230 V AC | SG 5805 115 V AC |
|---|---------------------|---------------------|
| Motor Features | | |
| Mechanical end-stop | • | • |
| Mechanical revolution counter (limited revolution) | • | • |
| Control Features | | |
| Mains power control | • | • |
| SG Control L (external receiver required) | • | • |
| Suitable for all common home automation systems (with suitable interface) | • | • |

B. MOTOR SPECIFICATIONS

| Motor | Motor dimensions | Power | Voltage | Current | Frequency | System speed / sec |
|---------|-----------------------|-------|----------|---------|-----------|--------------------|
| SG 5805 | L 485 x W 305 x H 310 | 500 W | 230 V AC | 2.2 A | 50 Hz | 20 cm / sec |
| SG 5805 | L 485 x W 305 x H 310 | 550 W | 115 V AC | 5 A | 60 Hz | 20 cm / sec |

C. MOTOR DIMENSIONS



D. OPERATING METHODS

Wall switch



System can be operated by fixed wall switch.

SG Control L



Various radio hand-held and wall transmitters available. An external receiver is required. See catalogue "controls" for details.



*Silent Gliss Move App.
See catalogue "controls" for details.*

SG Control R



*Various radio hand-held and wall transmitters available.
An external receiver is required.
See catalogue "controls" for details.*

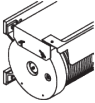
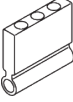
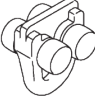

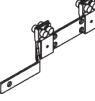
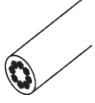
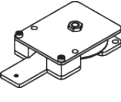
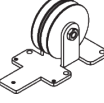




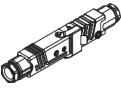
E. WIRING
DIAGRAMS




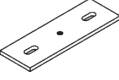

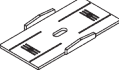

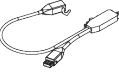
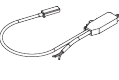






Refer to Silent Gliss website.

PARTS

A. STANDARD PARTS

| | |
|---|---|
|  | SG 5805 Motor 230V AC, 15/200 |
|  | SG 5806 Pilot runner |
|  | SG 5809 Roller |
|  | SG 5810 Profile |
|  | SG 5811 Overlap arm |
|  | SG 5814 Steel wire |
|  | SG 5815 Guide return |
|  | SG 5816 Cord guide |
|  | SG 5821 Anchor rail |
|  | SG 5822 Sliding block |
|  | SG 5824 End stop |
|  | SG 6209 Clamp |
|  | SG 9916 Hirschmann plug set |

B. OPTIONAL PARTS

| | |
|---|---|
|  | SG 5813 Floor mounting frame |
|  | SG 5829 Fixing plate |
|  | SG 6203 Connection bridge |
|  | SG 6228 Bracket |
|  | SG 9068 Radio receiver Revio |
|  | SG 9944 Radio receiver 1 channel |
|  | SG 9945 Radio receiver 1 channel |
|  | SG 10300 Radio hand held 1 channel |
|  | SG 10302 Radio hand held 5+1 channel |
|  | SG 10303 Radio hand held 10+2+1 channel |
|  | SG 10804 Radio hand held 15+5+1 channel |
|  | SG 11480 Radio wall transmitter 1 channel |
|  | SG 11490 Radio wall transmitter 5+1 channel |

The Architects of Silence

Silent Gliss is the leading global supplier of premium interior window treatments. Since 1952 we have been tirelessly committed to the development of the worlds` smoothest, quietest systems using state of the art technology.

Driven by customer needs, Silent Gliss offers functional and durable products. Expert technical advice coupled with installation and support services complete the offer. Silent Gliss stands for innovative, sustainable, tailor made solutions, exceptional design and first-class quality.

Oy Vallila Contract Ab

Nilsjängkatu 15

FI-00510 Helsinki

T +358 (0)20 776 7700

F +358 (0)20 776 7701

silentgliss@vallilainterior.fi

silentgliss.fi