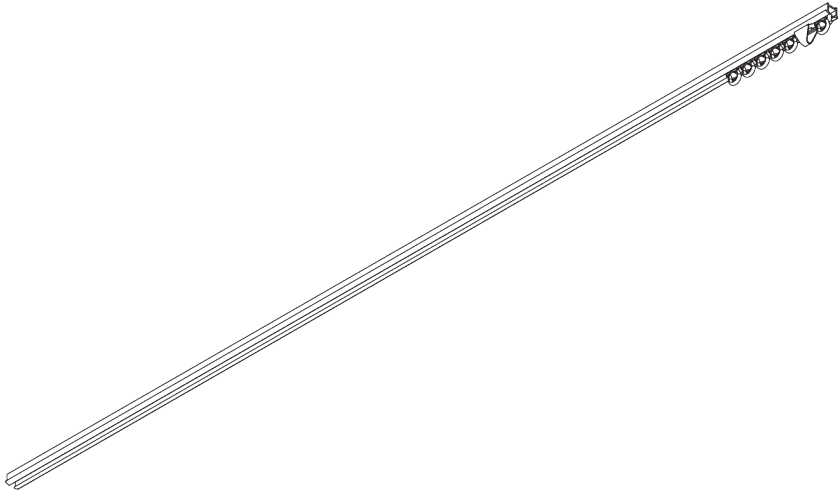


SG 1011



PRODUCT INFORMATION

- **Operation:** hand
- **Range:** S
- **Fitting:** recess (center SG 7550)
- **Colours:** white RAL 9016 or anodised aluminum, special colours possible
- **Fabrics:** refer to Silent Gliss fabric collection

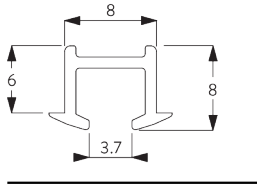
Features:

- Pre-drilled profile
- Bendable

SYSTEM SPECIFICATIONS

A. PROFILE

Profile and bending information

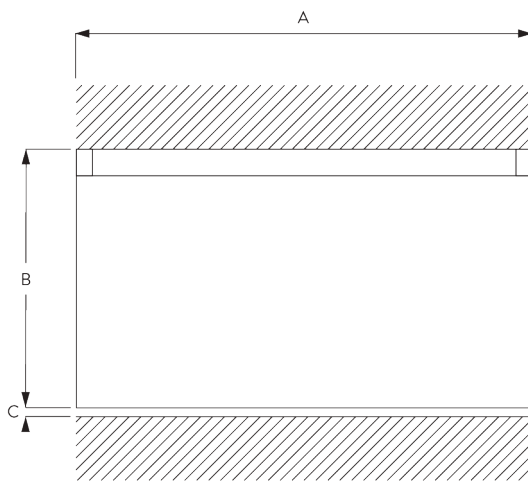


SG 1011p

Profile

Radius:
✓ 6 cm, 10 cm

B. HOW TO MEASURE



A: System width

B: System height

C: Distance between floor and fabric

C. SPECIFICATION

TEXT

EN

Silent Gliss SG 1011 Hand Drawn Curtain Track System for recessed fitting. Comprises aluminium profile SG1011 supplied made to measure in silver anodised or white powder coated, alternatively a specified RAL colour. SG 3533 at 14/m and 2 end stops SG 3070/SG 3085 Spring stops per length. Top fixed directly to ceiling with screws at 120 mm centres SG3019/3025.

SV

Silent Gliss SG 1011 handdragssystem för infällning. Består av aluminiumprofil SG 1011 i specificerad längd i vitlack, alu natur eller angiven RAL färg. 14 st SG 3533 glid per meter, 2 st SG 3070 vridstopp/SG 3085 fjäder per system. Skruvas direkt i tak m skruv SG 3019/SG 3025 c/c 120 mm.

NO

Silent Gliss SG 1011 gardinskinner for innfelling. Består av aluminiumprofil SG 1011 i spesifisert lengde, standard i hvitlakkert eller alu natur. Kan også leveres i ønsket RAL farg. 14 stk SG 3533 glidere pr meter, 2 st SG 3070 vristopp/SG 3085 fjær pr system. Skrus direkte i taket med skrue SG 3019/SG 3025 c/c 120 mm.

DA

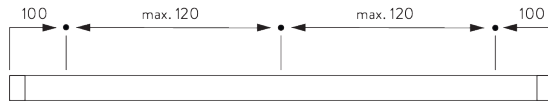
Silent Gliss SG 1011 håndtrukket gardinskinnesystem til indfældning. Består af en aluminiumprofil SG1011 i ønsket længde, sølvanodiseret eller hvid pulverlakering, alternativt en specificeret RAL-farve. 14 stk. SG 3533 pr. m og 2 stk. SG 3070 endestop eller SG 3085 fjeder pr. længde. Fastgøres direkte i loftet med skruer SG3019/3025 med højst 120 mm afstand.

FITTING

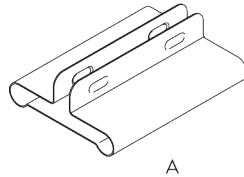
A. FITTING INFORMATION

For detailed fitting information, visit the *Silent Gliss* website.

Fixing points



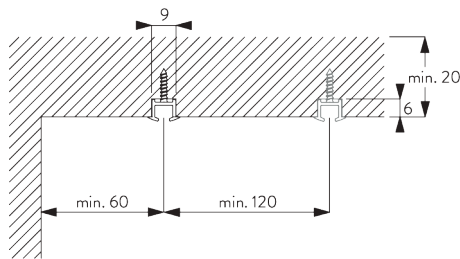
Profile Protector



A: Profile Protector SG 7002
B: Special screw SG 3019 / 12 mm
C: Special screw SG 3025 / 18 mm

B. RECESS FITTING

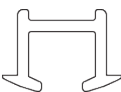
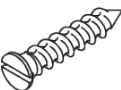




Direct into wood





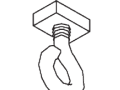
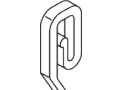

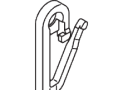
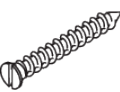
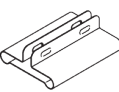

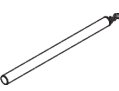
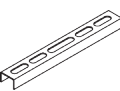
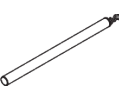

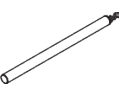

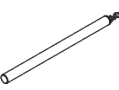

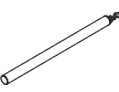

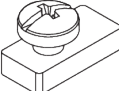

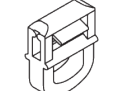


Recess channel: 6 x 9 mm

PARTS

A. STANDARD PARTS

	SG 1011p Profile
	SG 3019 Special screw 12 mm
	SG 3070 End stop
	SG 3085 Spring stop
	SG 3533 Glider
	SG 3599 Hook

B. OPTIONAL PARTS

	SG 3012 Hook		SG 3571 Hook
	SG 3016 End stop		SG 3582 Hook
	SG 3020 Hook		SG 3598 Eyelet
	SG 3025 Special screw 18 mm		SG 7002 Profile protector
	SG 3032 Spring stop		SG 10430 Draw rod 50 cm
	SG 3063 Connection bridge		SG 10431 Draw rod 75 cm
	SG 3071 End stop		SG 10432 Draw rod 100 cm
	SG 3511 Glider		SG 10433 Draw rod 125 cm
	SG 3534 Glider 3533 on strip		SG 10434 Draw rod 150 cm
	SG 3535 Glider		SG 11335 End stop
	SG 3537 Glider		
	SG 3548 Glider		
	SG 3549 Click glider with hook		
	SG 3570 Glider		