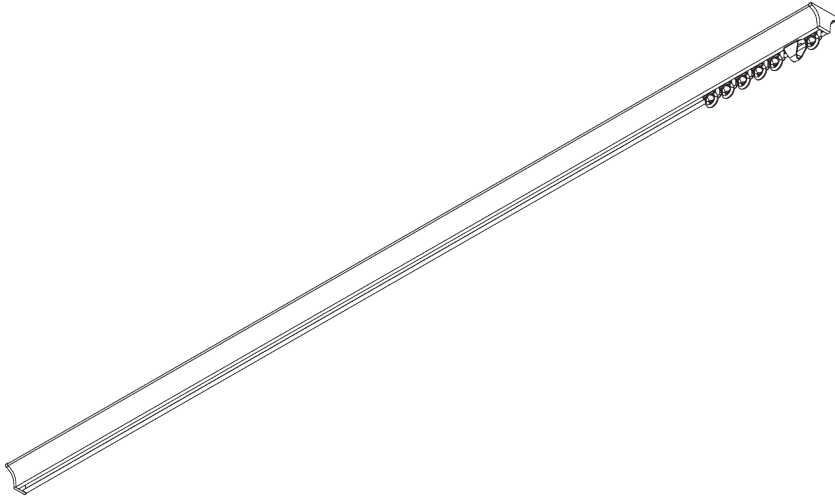


SG 1020



PRODUCT INFORMATION

- **Operation:** hand
- **Range:** S
- **Fitting:** ceiling
- **Colours:** white RAL 9016 or anodised aluminum, special colours possible
- **Fabrics:** refer to Silent Gliss fabric collection

Features:

- Symmetrical Funnel design
- Bendable

SYSTEM SPECIFICATIONS

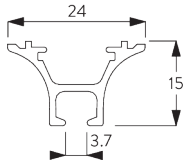
A. SYSTEM DIMENSIONS



10 kg

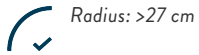
B. PROFILE

Profile and bending information



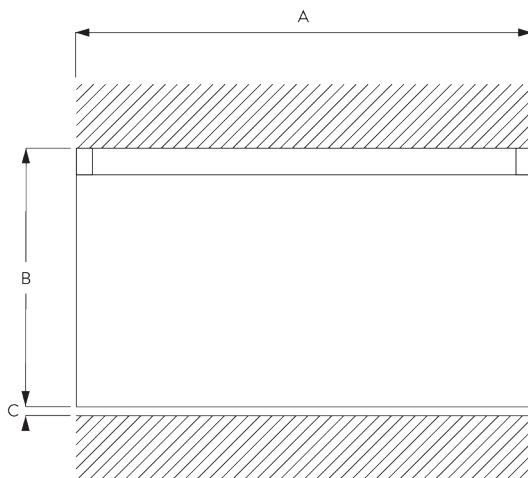
SG 6822

Profile Funnel



Radius: >27 cm

C. HOW TO MEASURE



A: System width

B: System height

C: Distance between floor and fabric

D. SPECIFICATION

TEXT

EN

Silent Gliss SG 1020 Hand Drawn Curtain Track System. Comprises aluminium profile SG 6822 supplied made to measure in silver anodised or white powder coated, alternatively a specified RAL colour. SG 3533 at 14/m and 2 end covers SG 6824 / end stops SG 3070 per length. Top fixed with bracket SG 11236 at max. 500 mm centres.

SV

Silent Gliss SG 1020 handdragssystem. Består av aluminiumprofil SG 6822 i specificerad längd i vitlack, alu natur eller angiven RAL färg. 14 st SG 3533 glid per meter, 2 st SG 6824 ändskydd samt 2 st SG 3070 vridstopp per system. Takmonteras med fäste SG 11236 c/c 500 mm.

NO

Silent Gliss SG 1020 manuell gardinskinne. Består av aluminiumprofil SG 6822 i spesifisert lengde, standard i hvitlakkert eller alu natur. Kan også leveres i spesifisert RAL farge. 14 stk SG 3533 glidere pr meter, 2 stk SG 6824 endestykker samt 2 stk SG 3070 vristopp pr system. Takmonteres med feste SG 11236 c/c 500 mm.

DA

Silent Gliss SG 1020 håndtrukket gardinskinnesystem. Består af en aluminiumprofil SG 6822 i ønsket længde, sølvanodiseret eller hvid pulverlakering, alternativt en specificeret RAL-farve. 14 stk. SG 3533 glidere pr. m og 2 stk. SG 6824 endelåg samt 2 stk. SG 3070 endestop pr. længde. Loftmonteres med beslag SG 11236 med højst 500 mm afstand.

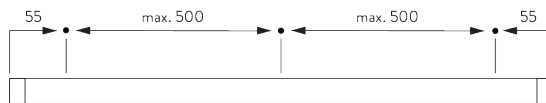
FITTING

A. FITTING

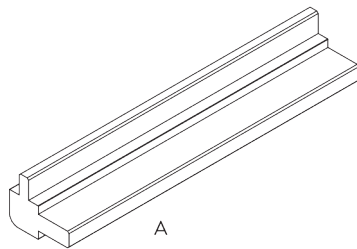
INFORMATION

For detailed fitting information, visit the Silent Gliss website.

Fixing points



Fitting Tool

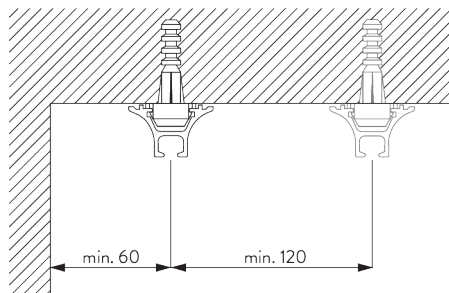


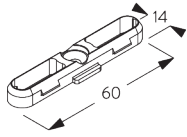
A: Funnel fitting tool SG 6827

For fitting / removing of the funnel profile.

B. CEILING FITTING

Clip SG 11236









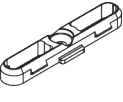


SG 11236



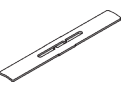
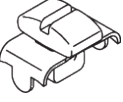




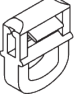


Clip

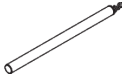
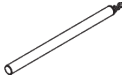
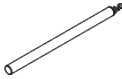
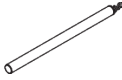
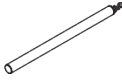
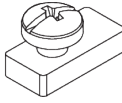
PARTS

A. STANDARD PARTS

	SG 3070 End stop
	SG 3085 Spring stop
	SG 3533 Glider
	SG 3599 Hook
	SG 6822 Profile Funnel
	SG 6824 End cover
	SG 11236 Clip

B. OPTIONAL PARTS

	SG 3012 Hook
	SG 3016 End stop
	SG 3062 Connection bridge
	SG 3071 End stop
	SG 3511 Glider
	SG 3534 Glider 3533 on strip
	SG 3535 Glider
	SG 3537 Glider
	SG 3548 Glider
	SG 3549 Click glider with hook
	SG 3555 Hook
	SG 3570 Glider
	SG 3582 Hook
	SG 3598 Eyelet

	SG 10430 Draw rod 50 cm
	SG 10431 Draw rod 75 cm
	SG 10432 Draw rod 100 cm
	SG 10433 Draw rod 125 cm
	SG 10434 Draw rod 150 cm
	SG 11335 End stop

