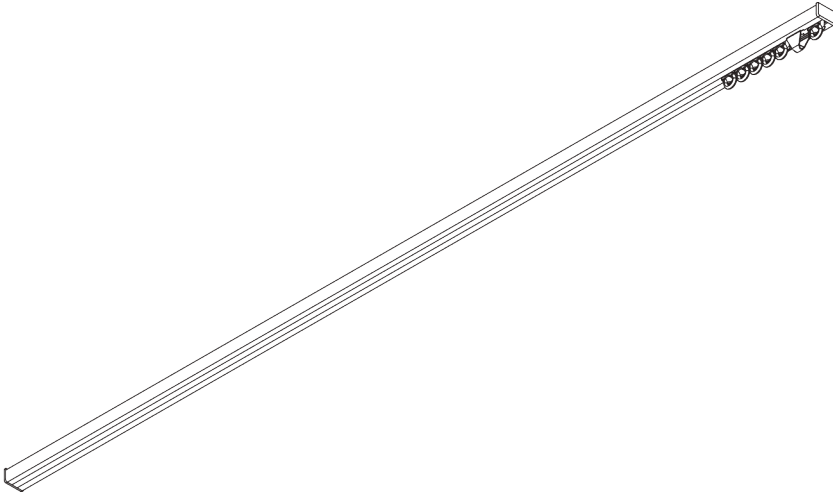


SG 1070



PRODUCT INFORMATION

- **Operation:** hand
- **Range:** S
- **Fitting:** ceiling
- **Colours:** white RAL 9016 or anodised aluminum, special colours possible
- **Fabrics:** refer to Silent Gliss fabric collection

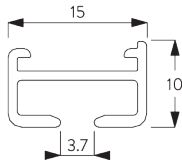
Features:

- Bendable

SYSTEM SPECIFICATIONS

A. PROFILE

Profile and bending information

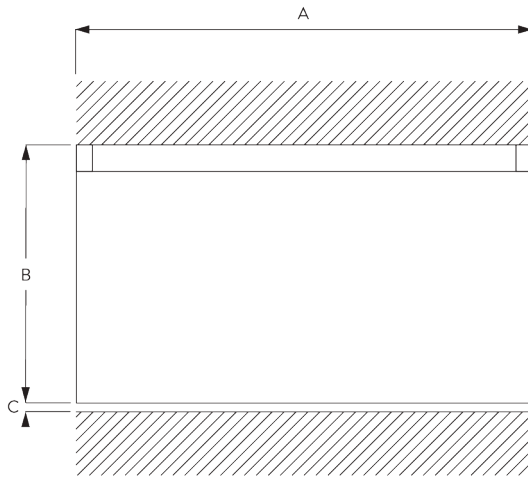


SG 1071

Profile 1071

Radius:
8 cm, 12 cm, 16 cm,
>25 cm

B. HOW TO MEASURE



A: System width
B: System height
C: Distance between floor and fabric

C. SPECIFICATION TEXT

EN

Silent Gliss SG 1070 Hand Drawn Curtain Track System. Comprises aluminium profile SG1071 supplied made to measure in silver anodised or white powder coated, alternatively a specified RAL colour. SG 3533 at 14/m and 2 end covers SG 1072/ end stops SG 3070 per length. Top fixed with brackets SG 3060 at max. 300 mm centres.

SV

Silent Gliss SG 1070 handdragssystem. Består av aluminiumprofil SG 1071 i specificerad längd i vitlack, alu natur eller angiven RAL färg. 14 st SG 3533 glid per meter, 2 st SG 1072 ändskydd samt 2 st SG 3070 vridstopp per system. Takmonteras med fäste SG 3060 c/c 300 mm.

NO

Silent Gliss SG 1070 manuell gardinskinne. Består av aluminiumprofil SG 1071 i spesifisert lengde, standard i hvitlakkert eller alu natur. Kan også leveres i spesifisert RAL farge. 14 stk SG 3533 glidere pr meter, 2 stk SG 1072 endestykker samt 2 stk SG 3070 vristopp pr system. Takmonteres med feste SG 3060 c/c 300 mm.

DA

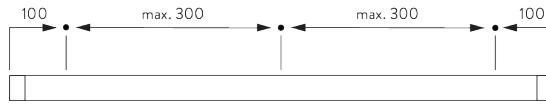
Silent Gliss SG 1070 håndtrukket gardinskinnesystem. Består af en aluminiumprofil SG1071 i ønsket længde, sølvanodiseret eller hvid pulverlakering, alternativt en specificeret RAL-farve. 14 stk. SG 3533 glidere pr. m og 2 stk. endelåg SG 1072 samt 2 stk. SG 3070 endestop pr. længde. Loftmonteres med beslagene SG 3060 med højst 300 mm afstand.

FITTING

A. FITTING INFORMATION

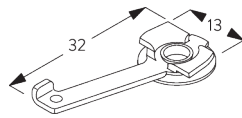
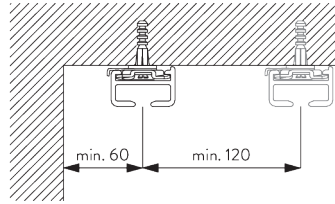
For detailed fitting information, visit the *Silent Gliss* website.

Fixing points



B. CEILING FITTING


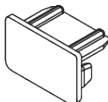
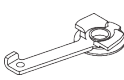

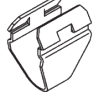


Clamp SG 3060




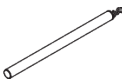

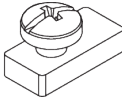




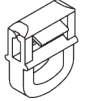



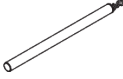



SG 3060
Clamp

PARTS

A. STANDARD PARTS

	SG 1071 Profile 1071
	SG 1072 End cover
	SG 3060 Clamp
	SG 3070 End stop
	SG 3085 Spring stop
	SG 3533 Glider
	SG 3599 Hook

B. OPTIONAL PARTS

	SG 3012 Hook		SG 10434 Draw rod 150 cm
	SG 3062 Connection bridge		SG 11335 End stop
	SG 3511 Glider		
	SG 3534 Glider 3533 on strip		
	SG 3535 Glider		
	SG 3537 Glider		
	SG 3548 Glider		
	SG 3549 Click glider with hook		
	SG 3570 Glider		
	SG 3582 Hook		
	SG 10430 Draw rod 50 cm		
	SG 10431 Draw rod 75 cm		
	SG 10432 Draw rod 100 cm		
	SG 10433 Draw rod 125 cm		