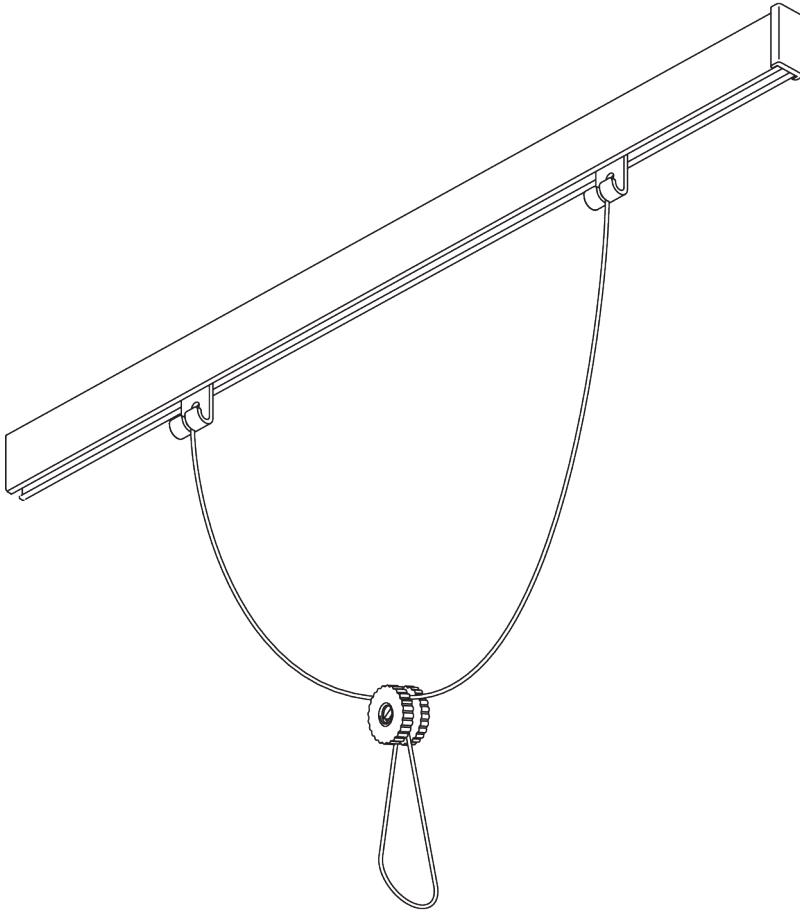
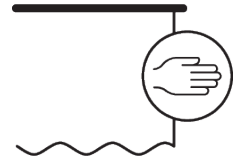


SG 3600



PRODUCT INFORMATION

- **Operation:** hand
- **Fitting:** wall
- **Colours:** white RAL 9016 or anodised aluminum, special colours possible

Features:

- Picture hanging system
- Adjustable height

SYSTEM SPECIFICATIONS

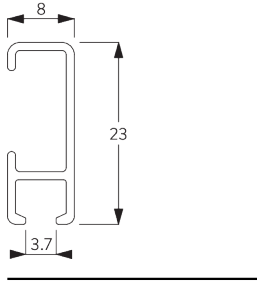
A. SYSTEM DIMENSIONS



10 kg
(Total picture weight)

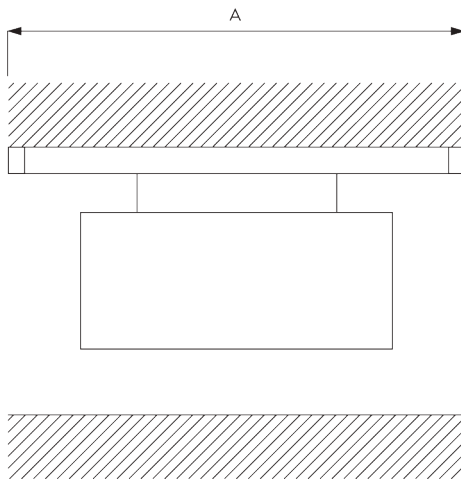
B. PROFILE

Profile and bending information



SG 1080p
Profile

C. HOW TO MEASURE



A: System width

D. SPECIFICATION

TEXT

EN

Silent Gliss SG 3600 Picture Hanging System. Comprises aluminium profile SG1080 supplied made to measure in silver anodised or white powder coated, alternatively a specified RAL colour. 2 pcs Endcaps SG 3605 per track. 1 pcs SG Picture hanging set SG 3665 per picture. Wall fix with SG 3606 clip.

SV

Silent Gliss SG 3600 tavelhängningssystem. Består av aluminiumprofil SG 1080 i specificerad längd i vitlack, alu natur eller angiven RAL färg. 2 st ändskydd SG 3605 per skena. 1 st tavelhängningsset SG 3665 per konstverk. Vägghäring med SG 3606 klips.

NO

Silent Gliss SG 3600 Bildeopphengsystem. Består av aluminiumprofil SG 1080 i spesifisert lengde, standard i hvitlakkert eller alu natur. Kan også leveres i spesifisert RAL farge. 2 stk endeløkk SG 3605 pr skinne. 1 stk bildeopphengsett SG 3665 pr kunstverk. Veggmontering med SG 3606 klips.

DA

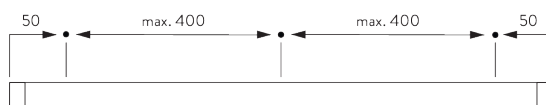
Silent Gliss SG 3600 billedophængningssystem. Består af en aluminiumprofil SG1080 i ønsket længde, sølvanodiseret eller hvid pulverlakering, alternativt en specificeret RAL-farve. 2 stk. endelåg SG 3605 pr. skinne. 1 stk. SG billedophængningsæt SG 3665 pr. billede. Vægmonteres med SG 3606 klips.

FITTING

A. FITTING INFORMATION

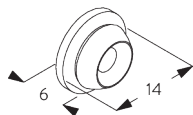
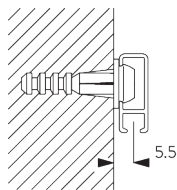
For detailed fitting information, visit the Silent Gliss website.

Fixing Points



B. WALL FITTING

Bracket SG 3606

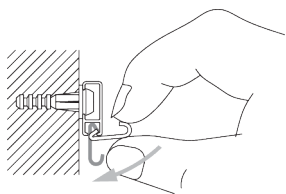


SG 3606

Clip

C. HANGING UP OF PICTURE

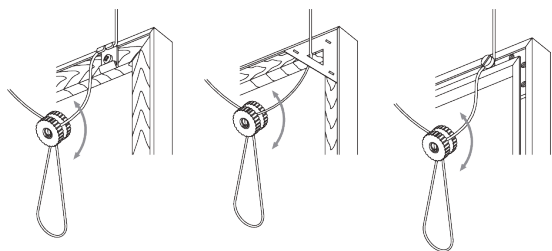
Set SG 3665



Click-in hooks SG 3606.

Parts:


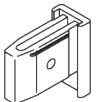


- SG 3634 Height adjuster
- SG 3637 Cord \varnothing 1.5 mm
- SG 3663 Hook



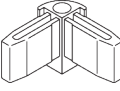
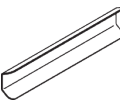
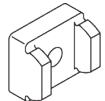
Picture height is adjusted by turning plastic screw.

PARTS

A. STANDARD PARTS

	SG 1080p Profile
	SG 3605 End cover
	SG 3606 Clip
	SG 3665 Picture hanging set

B. OPTIONAL PARTS

	SG 3604 Corner connector
	SG 3657 Connection bridge
	SG 3666 Clip

