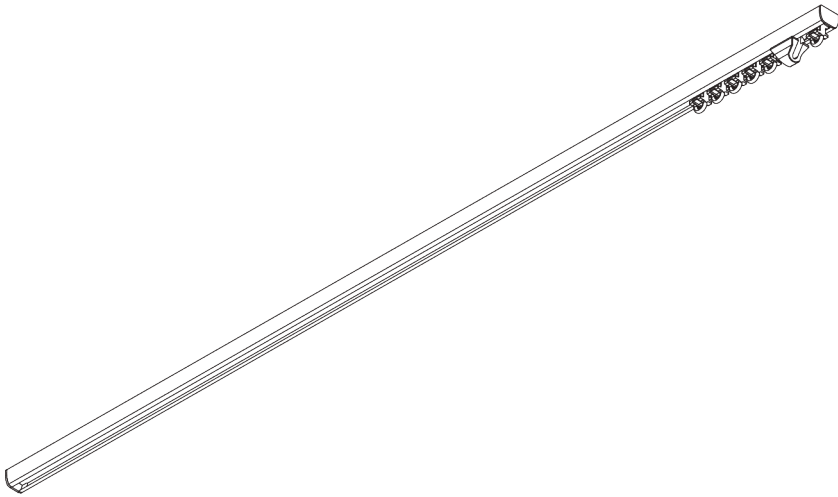


SG 6475



PRODUCT INFORMATION

- **Operation:** hand
- **Range:** S - M
- **Fitting:** ceiling
- **Colours:** white RAL 9016 or anodised aluminum, special colours possible
- **Fabrics:** refer to Silent Gliss fabric collection

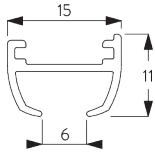
Features:

- 2-component (2C) glider technology
- Wave (2C)
- Bendable

SYSTEM SPECIFICATION

A. PROFILE

Profile and bending information

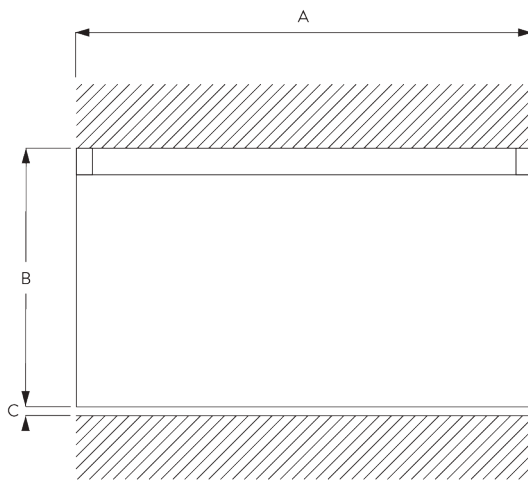


SG 6475p

Profile

Radius:
8 cm, 12 cm, 16 cm,
>25 cm

B. HOW TO MEASURE



A: System width
B: System height
C: Distance between floor and fabric

C. SPECIFICATION

TEXT

EN

Silent Gliss SG 6475 Hand Drawn Curtain Track System. Comprises aluminium profile SG 6475 supplied made to measure in silver anodised or white powder coated, alternatively a specified RAL colour. SG 1130 at 14/m, 2 end covers SG 6476 and 2 SG 6065 stops. Top fixed with brackets SG 3060 at max. 300 mm centres. Silent Gliss Wave option is available.

SV

Silent Gliss SG 6475 handdragssystem. Består av aluminiumprofil SG 6475 i specificerad längd i vitlack, alu natur eller angiven RAL färg. 14 st SG 11300 SILENT TRACK glid per meter, 2 st SG 6476 ändskydd samt 2 st SG 6065 vridstopp per system. Takmonteras med fäste SG 3060 c/c 300 mm. Kan användas med system Wave.

NO

Silent Gliss SG 6475 Manuell gardinskinne. Består av aluminiumprofil SG 6475 i spesifisert lengde, standard i hvitlakkert eller alu natur. Kan også leveres i spesifisert RAL farge. 14 stk SG 11300 SILENT TRACK glidere pr meter, 2 stk 6476 endeløkk og 2 stk SG 6065 vristopp pr system. Takmonteres med feste SG 3060 c/c 300 mm. Kan kombineres med Wave system.

DA

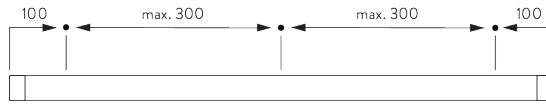
Silent Gliss SG 6475 håndtrukket gardinskinnesystem. Består af en aluminiumprofil SG 6475 i ønsket længde, sølvanodiseret eller hvid pulverlakering, alternativt en specificeret RAL-farve. 14 stk. SG 11300 glidere pr. m og 2 stk. SG 6476 endelåg samt 2 stk. SG 6065 endestop. Loftmonteres med beslagene SG 3060 med højst 300 mm afstand. Kan bruges med Silent Gliss Wave.

FITTING

A. FITTING INFORMATION

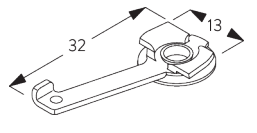
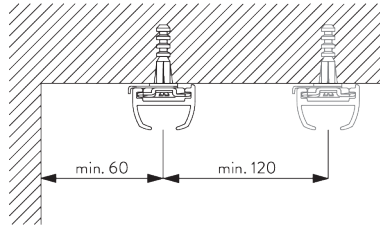
For detailed fitting information, visit the Silent Gliss website.

Fixing points



B. CEILING FITTING

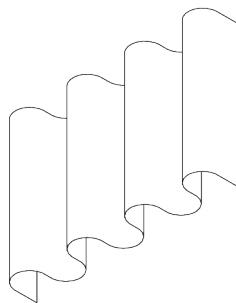
Clamp SG 3060



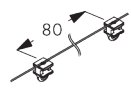
SG 3060
Clamp

SYSTEM OPTIONS

A. WAVE



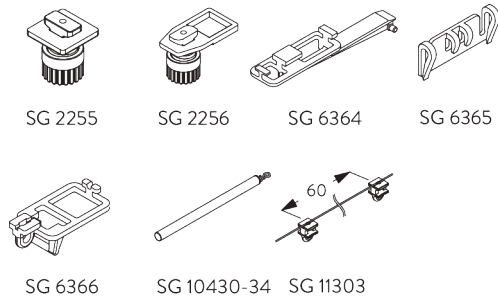
SG 11295



SG 11302

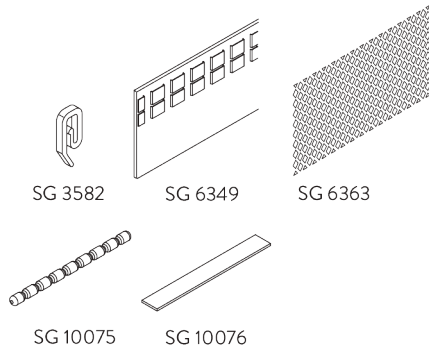
Standard components:

- SG 11295 End stop
- SG 11302 Wave 2C glider cord 80 mm



Optional components (min. radius >25 cm):

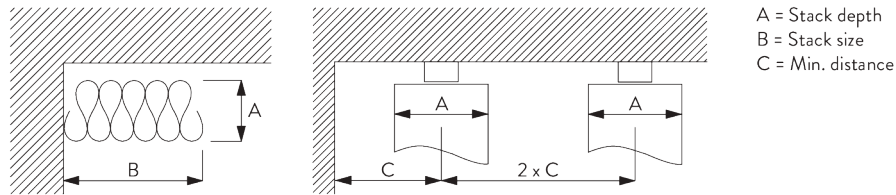
- SG 2255 Brake
- SG 2256 Brake
- SG 6364 Wave extension
- SG 6365 Wave hanger
- SG 6366 Wave carrier for draw rod
- SG 10430-34 Draw rod
- SG 11303 Wave 2C glider cord 60 mm



Curtain components:

- SG 3582 Hook
- SG 6349 Wave curtain tape
- SG 6363 Wave top hemming tape
- SG 10075 Lead weight 50 gr/m
- SG 10076 Fabric weight

Wave stack depth - 2C glider cord (standard components)



A = Stack depth
B = Stack size
C = Min. distance

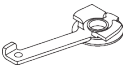


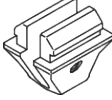
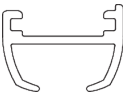
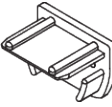
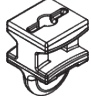
2C Glider cord SG 11302	Pockets between hooks	Approx. curtain fullness	Stack depth A	Stack size B*	Min distance C
80	6	~2.1	140	180 per metre of track	90
80	7	~2.3	160	180 per metre of track	100

2C Glider cord SG 11303	Pockets between hooks	Approx. curtain fullness	Stack depth A	Stack size B*	Min distance C
60	4	~2.1	100	230 per metre of track	70
60	5	~2.3	120	230 per metre of track	80

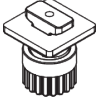
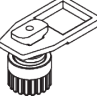




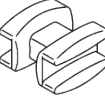

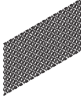
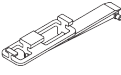
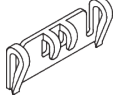
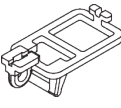
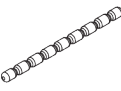
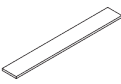
*Stack size B when using optional extension arm increases by 150 mm per curtain!


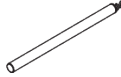
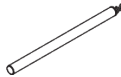

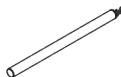
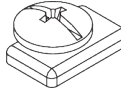

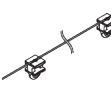
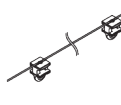
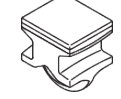
PARTS

A. STANDARD PARTS

	SG 3060 Clamp
	SG 3599 Hook
	SG 6065 End stop
	SG 6245 Spring stop
	SG 6475p Profile
	SG 6476 End cover
	SG 11300 2C glider

B. OPTIONAL PARTS

	SG 2255 Brake
	SG 2256 Brake
	SG 3012 Hook
	SG 3062 Connection bridge
	SG 3582 Hook
	SG 6057 Glider
	SG 6082 Glider
	SG 6349 Wave curtain tape
	SG 6363 Wave top hemming tape
	SG 6364 Wave extension
	SG 6365 Wave hanger
	SG 6366 Wave carrier for draw rod
	SG 10075 Lead weight 50 g/m
	SG 10076 Fabric weight

	SG 10430 Draw rod 50 cm
	SG 10431 Draw rod 75 cm
	SG 10432 Draw rod 100 cm
	SG 10433 Draw rod 125 cm
	SG 10434 Draw rod 150 cm
	SG 11295 End stop
	SG 11301 2C glider on strip
	SG 11302 Wave 2C glider cord 80 mm
	SG 11303 Wave 2C glider cord 60 mm
	SG 11305 2C glider for direct sewing

