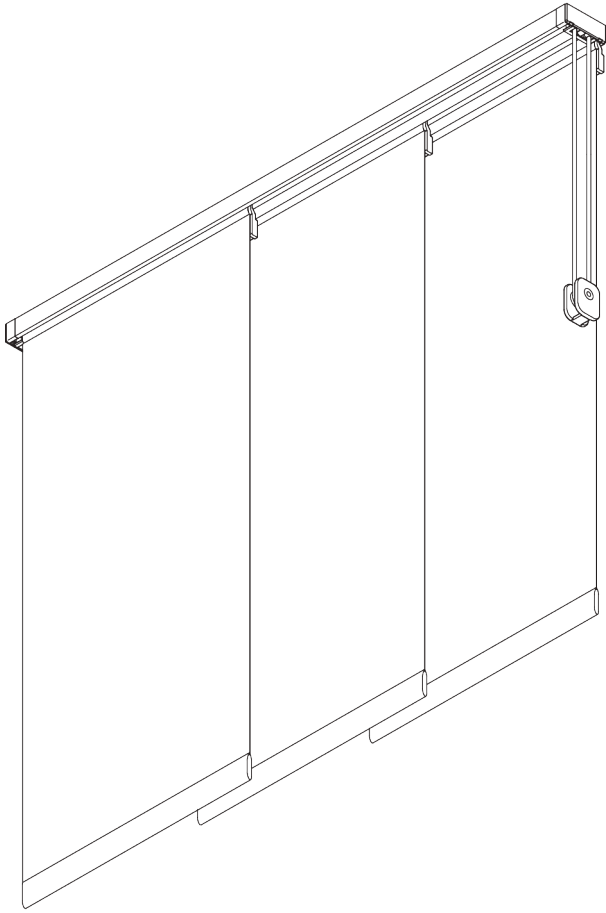
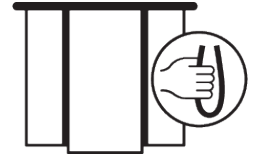


# SG 2710

---



## PRODUCT INFORMATION

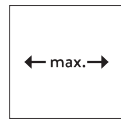
- **Operation:** cord
- **Range:** S - L
- **Fitting:** ceiling, wall, recess
- **Colours:** white RAL 9016 or anodised aluminum, special colours possible
- **Fabrics:** refer to Silent Gliss fabric collection

### **Features:**

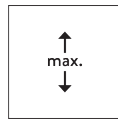
- 2-component (2C) roller technology
- Silent and smooth running
- Aluminium carriers

# SYSTEM SPECIFICATIONS

## A. SYSTEM DIMENSIONS



6 m



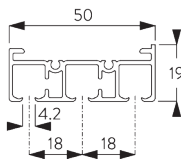
4 m



max. 2 kg per m

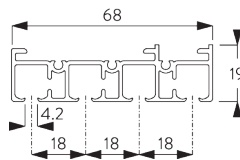
## B. PROFILE

### Profile information



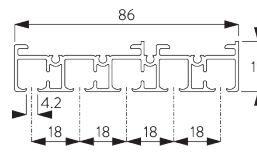
**SG 10123**

*Profile 3-channel*



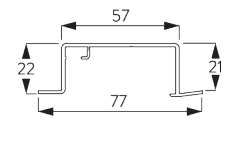
**SG 10124**

*Profile 4-channel*



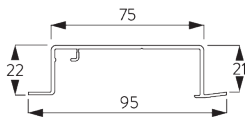
**SG 10125**

*Profile 5-channel*



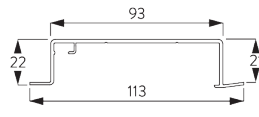
**SG 10173**

*Recess profile 3-channel*



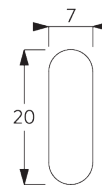
**SG 10174**

*Recess profile 4-channel*



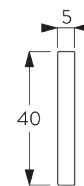
**SG 10175**

*Recess profile 5-channel*



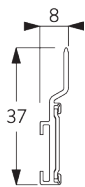
**SG 2004**

*Bottom bar 20x7 mm*



**SG 2005**

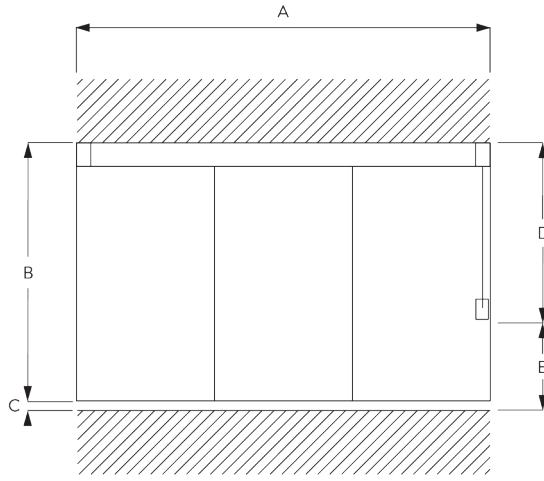
*Bottom bar 40x5 mm*



**SG 10230**

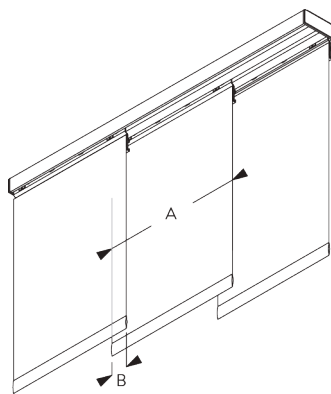
*Carrier alu*

**C. HOW TO  
MEASURE**



- A: System width
- B: System height
- C: Distance between floor and fabric
- D: Cord height
- E: Safety Retainer SG 10731 min. 150 cm above floor

**Dimensions of Panels**



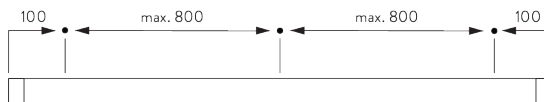
- A: Recommended panel width: 500 - 1200
- B: Overlap: min. 50

**FITTING**

**A. FITTING  
INFORMATION**

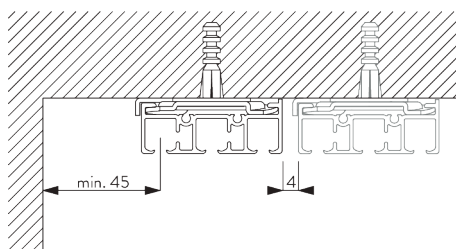
For detailed fitting information, visit the Silent Gliss website.

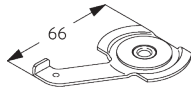
**Fixing points**



**B. CEILING FITTING**

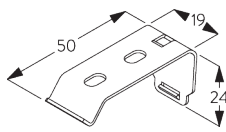
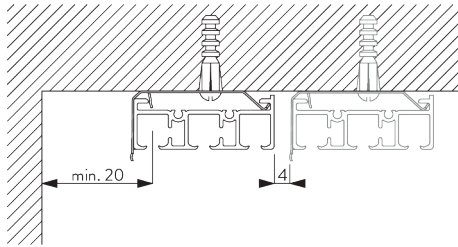
**Clamp SG 3003**





**SG 3003**  
Clamp

**Bracket SG 10137**

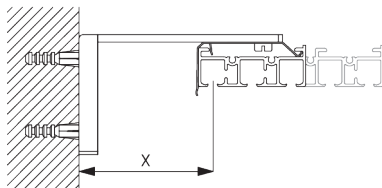


**SG 10137**  
Bracket

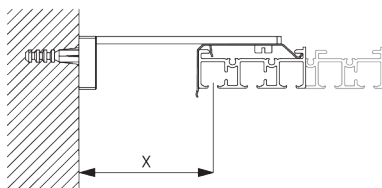
Bracket	SG 10123	SG 10124
SG 10137	X	X

**C. WALL FITTING**

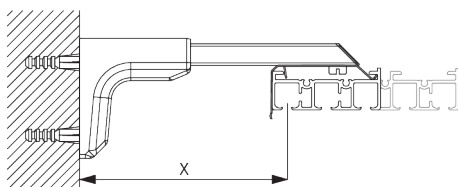
**Smart Fix**



**Smart Fix SG 11200 - SG 11204:**  
Screw SG 10395 (M4x6) needed.

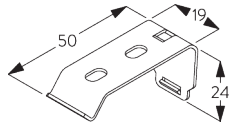


**Square Smart Fix SG 11210 - SG 11214:**  
Screw SG 10395 (M4x6) needed.



**Universal Smart Fix 11154 - SG 11156:**  
Screw SG 10492 (M4x8) needed.

Smart Fix	X mm (SG 10123)	X mm (SG 10124)	X mm (SG 10125)
SG 11200 / SG 11210	24	24	24
SG 11201 / SG 11211	44	44	44
SG 11202 / SG 11212	64	64	64
SG 11203 / SG 11213	84	84	84
SG 11204 / SG 11214	114	114	114
SG 11154	74-102	74-102	74-102
SG 11155	104-132	104-132	104-132
SG 11156	154-182	154-182	154-182



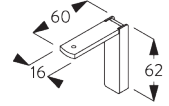
**SG 10137**  
Bracket



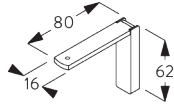
**SG 10395**  
Pan head screw M4x6



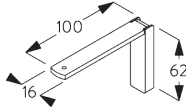
**SG 10492**  
Pan head screw M4x8



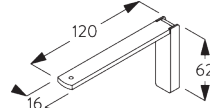
**SG 11200**  
Smart Fix 60 mm



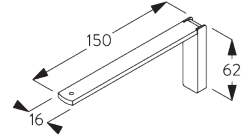
**SG 11201**  
Smart Fix 80 mm



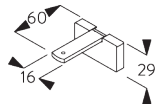
**SG 11202**  
Smart Fix 100 mm



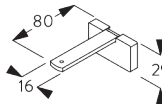
**SG 11203**  
Smart Fix 120 mm



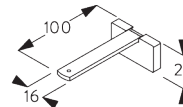
**SG 11204**  
Smart Fix 150 mm



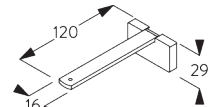
**SG 11210**  
Square Smart Fix 60 mm



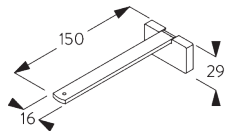
**SG 11211**  
Square Smart Fix 80 mm



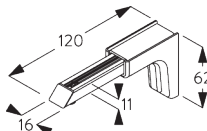
**SG 11212**  
Square Smart Fix 100 mm



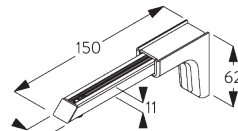
**SG 11213**  
Square Smart Fix 120 mm



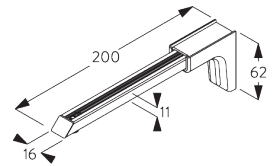
**SG 11214**  
Square Smart Fix 150 mm



**SG 11154**  
Universal Smart Fix 120 mm



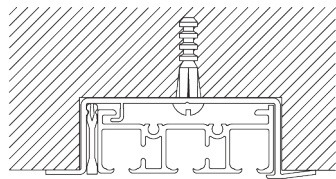
**SG 11155**  
Universal Smart Fix 150 mm



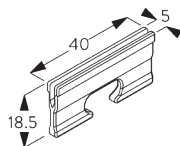
**SG 11156**  
Universal Smart Fix 200 mm

## D. RECESS FITTING

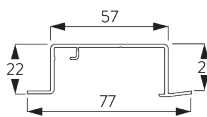
### Recess profiles SG 10173 - SG 10175



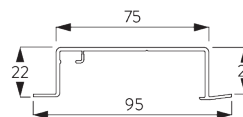
One wedge SG 10157 per fixing point.  
For detailed recess fitting, visit the Silent Gliss website.



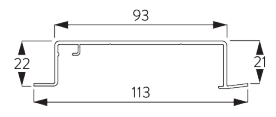
**SG 10157**  
Wedge



**SG 10173**  
Recess profile 3-channel



**SG 10174**  
Recess profile 4-channel



**SG 10175**  
Recess profile 5-channel

# SYSTEM OPTIONS

## A. PANEL STACKING



Single stack  
Note: dot = fixed panel


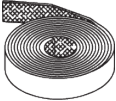



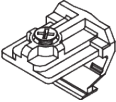
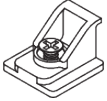
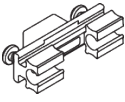
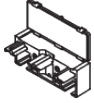
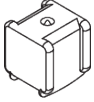

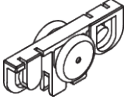




Pair stack  
Note: dot = fixed panel



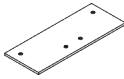
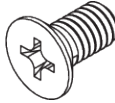


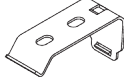
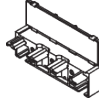
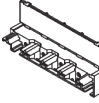
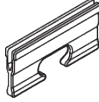




Other variations are possible.

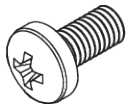
# PARTS

## A. STANDARD PARTS

	<b>SG 2004</b> Bottom bar 20x7 mm
	<b>SG 2539</b> Tape
	<b>SG 3003</b> Clamp
	<b>SG 3090</b> Cord ø 3.5 mm
	<b>SG 10123</b> Profile 3-channel
	<b>SG 10140</b> Angle
	<b>SG 10146</b> Angle
	<b>SG 10150</b> Pilot runner
	<b>SG 10153</b> Cord guide
	<b>SG 10156</b> End stop
	<b>SG 10159</b> Countersunk head screw 3.5x13
	<b>SG 10200</b> 2C roller
	<b>SG 10230</b> Carrier alu
	<b>SG 10252</b> End cover left

## B. OPTIONAL PARTS

	<b>SG 2005</b> Bottom bar 40x5 mm
	<b>SG 3340</b> Cord/chain weight
	<b>SG 6024</b> Connection bridge
	<b>SG 10074</b> Countersunk head screw M4x8
	<b>SG 10124</b> Profile 4-channel
	<b>SG 10125</b> Profile 5-channel
	<b>SG 10137</b> Bracket
	<b>SG 10154</b> Cord guide
	<b>SG 10155</b> Cord guide
	<b>SG 10157</b> Wedge
	<b>SG 10173</b> Recess profile 3-channel
	<b>SG 10174</b> Recess profile 4-channel
	<b>SG 10175</b> Recess profile 5-channel
	<b>SG 10395</b> Pan head screw M4x6

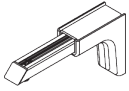


---

**SG 10492**

Pan head screw M4x8

---

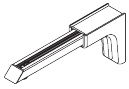


---

**SG 11154**

Universal Smart Fix 120 mm

---

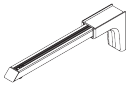


---

**SG 11155**

Universal Smart Fix 150 mm

---

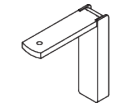


---

**SG 11156**

Universal Smart Fix 200 mm

---

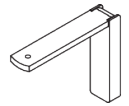


---

**SG 11200**

Smart Fix 60 mm

---

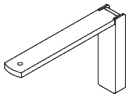


---

**SG 11201**

Smart Fix 80 mm

---

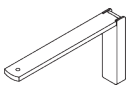


---

**SG 11202**

Smart Fix 100 mm

---

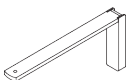


---

**SG 11203**

Smart Fix 120 mm

---

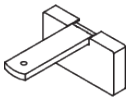


---

**SG 11204**

Smart Fix 150 mm

---

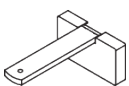


---

**SG 11210**

Square Smart Fix 60 mm

---

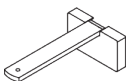


---

**SG 11211**

Square Smart Fix 80 mm

---

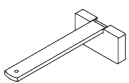


---

**SG 11212**

Square Smart Fix 100 mm

---

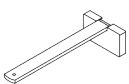


---

**SG 11213**

Square Smart Fix 120 mm

---



---

**SG 11214**

Square Smart Fix 150 mm

---