

PANEL GLIDE SYSTEMS



GENERAL NOTES

Dimensions

- *Measurements are in mm except where indicated.*
- *Max. kg relates to fabric incl. accessories.*
- *Stack size depends on panel width.*
- *Recommended distance floor / fabric: 20 mm.*
- *In order to determine system height (B), the smallest room height must be taken into account.*





Fitting

- *Installation by qualified fitter only.*
- *Number of brackets and fitting positions / fixing points vary depending on fitting surface, system weight, fabric make-up, screw / fixing type and obstacles.*
- *Qualified fitter must use appropriate screws / fixings for each situation.*
- *Profile lip if applicable to be installed to room side.*
- *Electrical installations must be carried out according to Silent Gliss wiring diagrams and conform to local regulations.*
- *Check space for cables and plugs!*

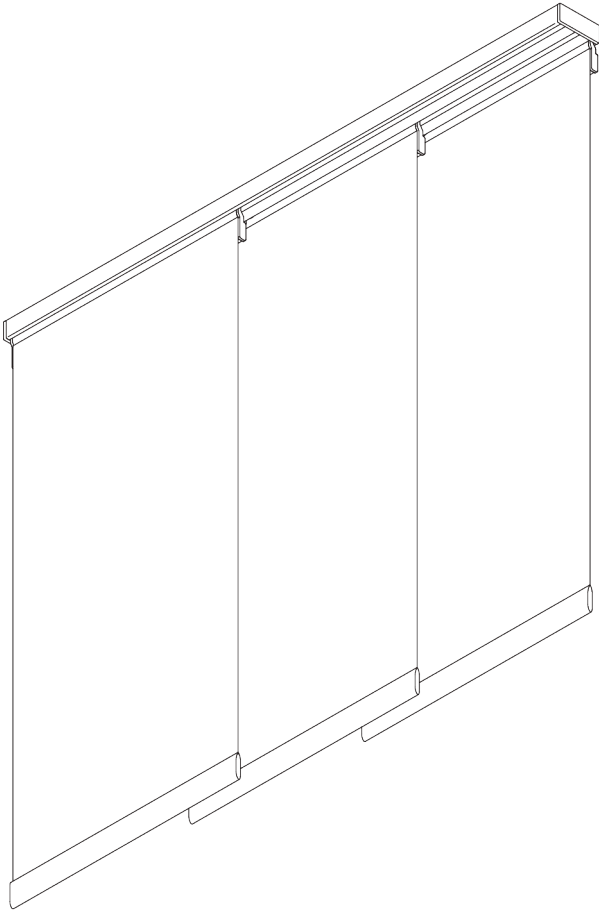
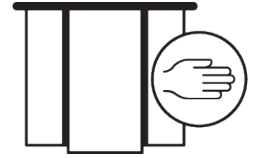
Child Safety

- *All relevant Silent Gliss systems correspond to child safety EN 13120.*
- *All parties involved must comply with EN 13120.*

APPLICATION CHART

<u>PAGE</u>	<u>SYSTEM</u>	<u>OPERATION</u>	<u>DIMENSION</u>	← max. →	↑ max. ↓	kg _{max.}
5	SG 2700		S - L		4 m	2 kg
15	SG 2710		S - L	6 m	4 m	2 kg
23	SG 2730		S - L		3 m	2 kg
29	SG 2750		S - L	6 m	4 m	2 kg

SG 2700



PRODUCT INFORMATION

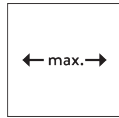
- **Operation:** hand
- **Range:** S - L
- **Fitting:** ceiling, wall, recess
- **Colours:** white RAL 9016 or anodised aluminum, special colours possible
- **Fabrics:** refer to Silent Gliss fabric collection

Features:

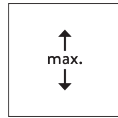
- 2-component (2C) roller technology
- Silent and smooth running
- Aluminium carriers
- Free floating or connectable panels

SYSTEM SPECIFICATIONS

A. SYSTEM DIMENSIONS



Panels free floating:
unlimited
Panels connected: 6 m



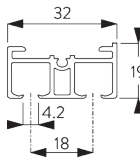
4 m



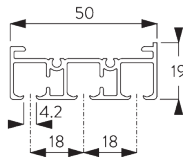
Max. 2 kg per m

B. PROFILE

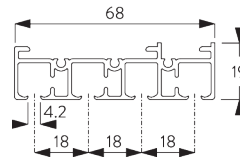
Profile information



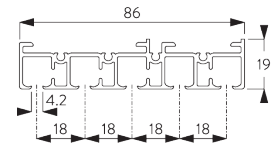
SG 10122
Profile 2-channel



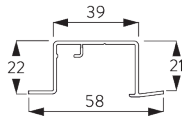
SG 10123
Profile 3-channel



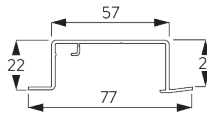
SG 10124
Profile 4-channel



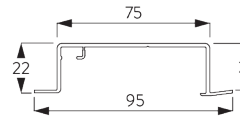
SG 10125
Profile 5-channel



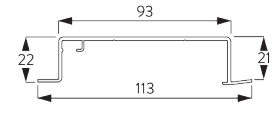
SG 10172
Recess profile 2-channel



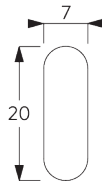
SG 10173
Recess profile 3-channel



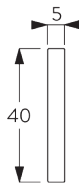
SG 10174
Recess profile 4-channel



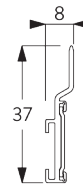
SG 10175
Recess profile 5-channel



SG 2004
Bottom bar 20x7 mm

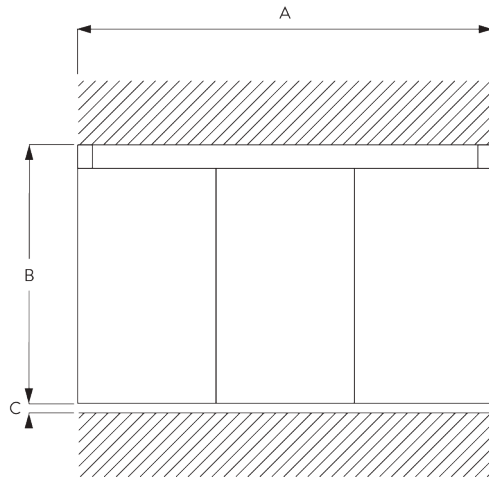


SG 2005
Bottom bar 40x5 mm



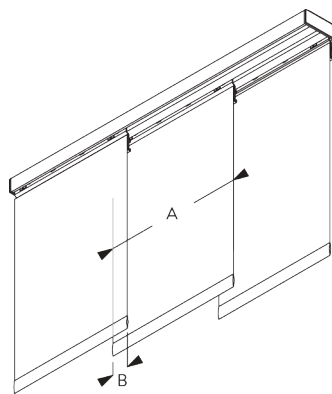
SG 10230
Carrier alu

**C. HOW TO
MEASURE**



A: System width
B: System height
C: Distance between floor and fabric

Dimensions of Panels



Free floating:

A: Recommended panel width: 500 - 1200

Connected:

A: Recommended panel width: 500 - 1200

B: Overlap: min. 50

D. SPECIFICATION

TEXT

EN

Silent Gliss SG 2700 Panel Glide System. Supplied made to measure and complete comprising profiles SG 10122 / SG 10123 / SG 10124 / SG 10125 as necessary with carriers SG 10230 with associated components and bottom weight SG 2004. Fabric panels stack right hand single / left hand single / pair / centre. Operated cord / hand / electrically (incorporating electric curtain track system SG 5600). Ceiling fixed using clamps SG 3003 / SG 3004 or brackets SG 10136 / SG 10137. Wall fix with SG Smart Fix brackets. Max. 800 mm centres. Compliant to Child Safety legislation EN 13120 when used in conjunction with Cord Retainer 10400. Fabric to be chosen from Silent Gliss fabric collection, Price Group 1 / 2 / 3 / 4.

SV

Silent Gliss SG 2700 skärmgardinsystem. Levereras komplett i specificerat mått innefattande profil 10122 / SG 10123 / SG 10124 / SG 10125 med vagnar SG 10230 med tillhörande komponenter samt tyngdprofil SG 2004. Textilpaneler med sidöppning höger / vänster / mittöppning / centrerad. Manövreras för hand / med lina eller med motor/ (innefattar motordrift med system SG 5600). Takmontering med beslag SG 3003 / SG 3004 eller konsoler SG 10136 / SG 10137 Vägmontering med SG Smart Fix vinklar. Max.800 mm. Uppfyller barnsäkerhetsnorm EN 13120 vid användning av lindrag linhållare SG10400. Textil från Silent Gliss textilprogram i prisgrupp 1-4.

NO

Silent Gliss SG2700 Panelsystem. Leveres komplett måltilpasset. Består av profil SG 10122 / SG 10123 / SG 10124 / SG 10125 med vogner SG 10230 inkl. tilhørende komponenter samt tyngdeprofil SG2004. Tekstilpaneler med sideåpning høyre/venstre/ midtåpning/sentrert. Betjenes med snor, manuelt eller med motor (består av motordrift med SG5600). Takmontering med beslag SG3003/SG3004 eller konsoller SG 10136 / SG 10137. Veggmontering med SG Smart Fix vinkler. Max 800 mm. Oppfyller krave til barnesikkerhetsnormen EN 13120, ved betjening med snor/snorfeste SG 10400. Tekstil fra Silent Gliss tekstilkolleksjon i prisgruppe 1-4.

DA

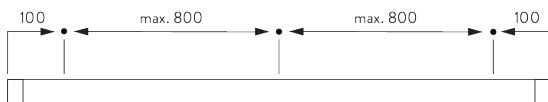
Silent Gliss SG 2700 panelsystem. Leveres i ønsket længde og komplet, bestående af profilerne SG 10122 / SG 10123 / SG 10124 / SG 10125 efter behov med vogne SG 10230 med tilhørende komponenter og tyngdeprofil SG 2004. Tekstilpaneler med sideåbning højre side enkelt / venstre side enkelt / par / centreret. Styres med snor / hånd / elektrisk (omfatter elektrisk drift med skinnesystemet SG 5600). Fastgøres i loftet med klemmerne SG 3003 / SG 3004 eller beslagene SG 10136 / SG 10137. Vægmonteres med SG Smart Fix beslag med en afstand på 800 mm. Overholder lovgivning om børnesikkerhed efter EN 13120., når det bruges i sammenhæng med snorholder 10400. Stoffet vælges fra Silent Gliss stofprogrammet, prisgruppe 1 / 2 / 3 / 4.

FITTING

A. FITTING INFORMATION

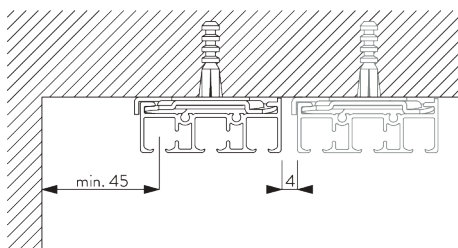
Fixing points

For detailed fitting information, visit the Silent Gliss website.

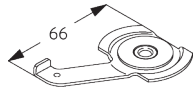


B. CEILING FITTING

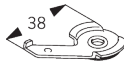
Clamp SG 3003 / SG 3004



Clamp	SG 10122	SG 10123	SG 10124	SG 10125
SG 3004	X			
SG 3003		X	X	X

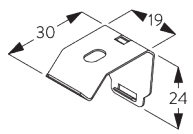
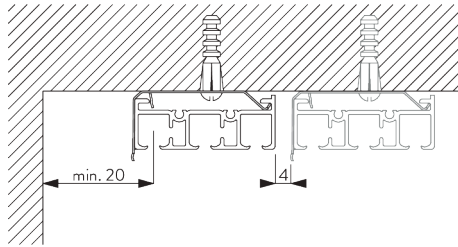


SG 3003
Clamp

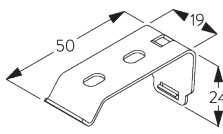


SG 3004
Clamp

Bracket SG 10136 / SG 10137



SG 10136
Bracket

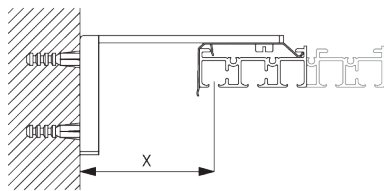


SG 10137
Bracket

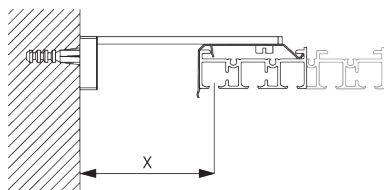
Bracket	SG 10122	SG 10123	SG 10124
SG 10136	X		
SG 10137		X	X

C. WALL FITTING

Smart Fix

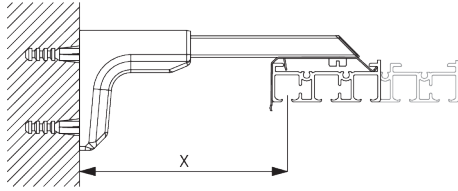


Smart Fix SG 11200 - SG 11204:
Bracket SG 10136 for 2 channel profile.
Bracket SG 10137 for more than 2 channel profiles.
Screw SG 10395 (M4x6) needed.



Square Smart Fix SG 11210 - SG 11214:
Bracket SG 10136 for 2 channel profile.
Bracket SG 10137 for more than 2 channel profiles.
Screw SG 10395 (M4x6) needed.

Smart Fix	X mm (SG 10122)	X mm (SG 10123)	X mm (SG 10124)	X mm (SG 10125)
SG 11200 / SG 11210	43	24	24	24
SG 11201 / SG 11211	63	44	44	44
SG 11202 / SG 11212	83	64	64	64
SG 11203 / SG 11213	103	84	84	84
SG 11204 / SG 11214	133	114	114	114
SG 11154	93-121	74-102	74-102	74-102
SG 11155	123-151	104-132	104-132	104-132
SG 11156	172-201	154-182	154-182	154-182

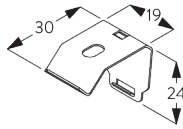


Universal Smart Fix SG 11154 - SG 11156:

Bracket SG 10136 for 2 channel profile.

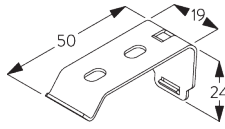
Bracket SG 10137 for more than 2 channel profiles.

Screw SG 10492 (M4x8) needed.



SG 10136

Bracket



SG 10137

Bracket



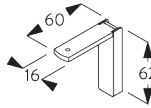
SG 10395

Pan head screw M4x6



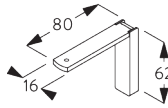
SG 10492

Pan head screw M4x8



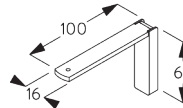
SG 11200

Smart Fix 60 mm



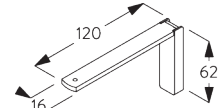
SG 11201

Smart Fix 80 mm



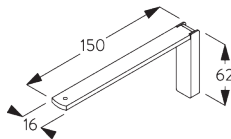
SG 11202

Smart Fix 100 mm



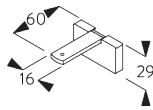
SG 11203

Smart Fix 120 mm



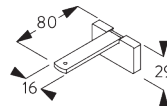
SG 11204

Smart Fix 150 mm



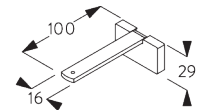
SG 11210

Square Smart Fix 60 mm



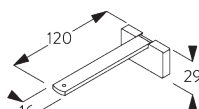
SG 11211

Square Smart Fix 80 mm



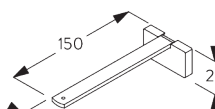
SG 11212

Square Smart Fix 100 mm



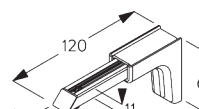
SG 11213

Square Smart Fix 120 mm



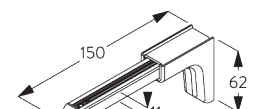
SG 11214

Square Smart Fix 150 mm



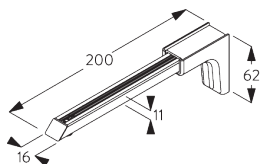
SG 11154

Universal Smart Fix 120 mm



SG 11155

Universal Smart Fix 150 mm

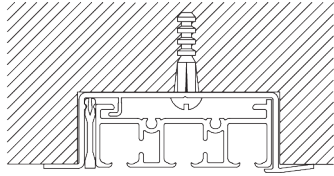


SG 11156

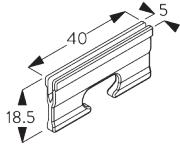
Universal Smart Fix 200 mm

D. RECESS FITTING

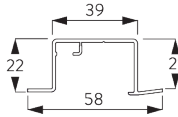
Recess profiles
SG 10172 - SG 10175



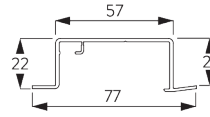
One wedge SG 10157 per fixing point.
For detailed recess fitting, visit the Silent Gliss website.



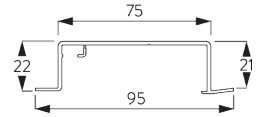
SG 10157
Wedge



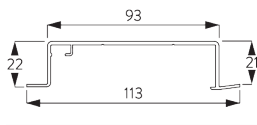
SG 10172
Recess profile 2-channel



SG 10173
Recess profile 3-channel



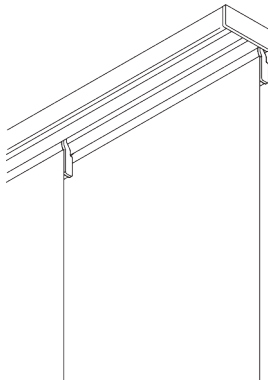
SG 10174
Recess profile 4-channel



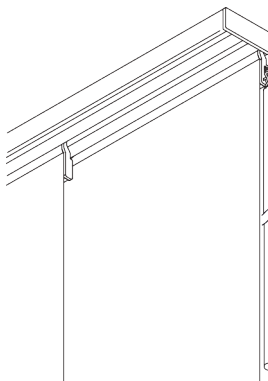
SG 10175
Recess profile 5-channel

SYSTEM OPTIONS

A. OPERATION

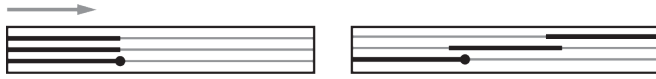


Free floating (unconnected panels)



Connected panels (draw rod optional)

B. PANEL STACKING
(CONNECTED)



Single stack
Note: dot = fixed panel


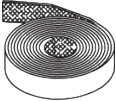


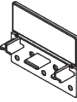

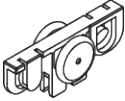





Pair stack
Note: dot = fixed panel


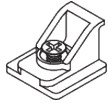

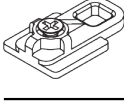

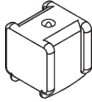
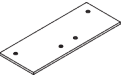
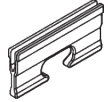
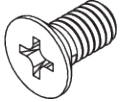
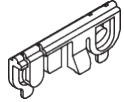

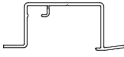


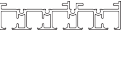



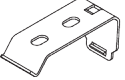
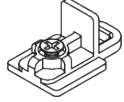
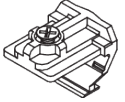

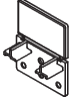
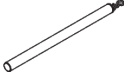
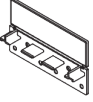

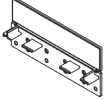
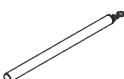
Other variations are possible.

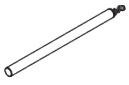
PARTS

A. STANDARD PARTS

	SG 2004 Bottom bar 20x7 mm
	SG 2539 Tape
	SG 3003 Clamp
	SG 10123 Profile 3-channel
	SG 10143 Cover
	SG 10159 Countersunk head screw 3.5x13
	SG 10200 2C roller
	SG 10230 Carrier alu
	SG 10252 End cover left
	SG 10253 End cover right

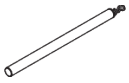
B. OPTIONAL PARTS

	SG 2005 Bottom bar 40x5 mm		SG 10146 Angle
	SG 3004 Clamp		SG 10148 Eyelet for draw rod
	SG 3008 Connection bridge		SG 10156 End stop
	SG 6024 Connection bridge		SG 10157 Wedge
	SG 10074 Countersunk head screw M4x8		SG 10158 Click glider
	SG 10122 Profile 2-channel		SG 10172 Recess profile 2-channel
	SG 10124 Profile 4-channel		SG 10173 Recess profile 3-channel
	SG 10125 Profile 5-channel		SG 10174 Recess profile 4-channel
	SG 10136 Bracket		SG 10175 Recess profile 5-channel
	SG 10137 Bracket		SG 10340 Eyelet for draw rod
	SG 10140 Angle		SG 10395 Pan head screw M4x6
	SG 10142 End cover		SG 10430 Draw rod 50 cm
	SG 10144 End cover		SG 10431 Draw rod 75 cm
	SG 10145 End cover		SG 10432 Draw rod 100 cm



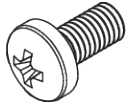
SG 10433

Draw rod 125 cm



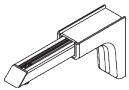
SG 10434

Draw rod 150 cm



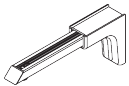
SG 10492

Pan head screw M4x8



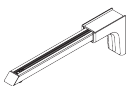
SG 11154

Universal Smart Fix 120 mm



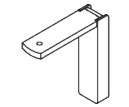
SG 11155

Universal Smart Fix 150 mm



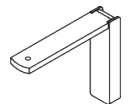
SG 11156

Universal Smart Fix 200 mm



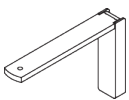
SG 11200

Smart Fix 60 mm



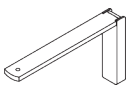
SG 11201

Smart Fix 80 mm



SG 11202

Smart Fix 100 mm



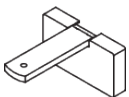
SG 11203

Smart Fix 120 mm



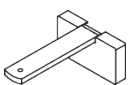
SG 11204

Smart Fix 150 mm



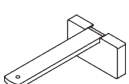
SG 11210

Square Smart Fix 60 mm



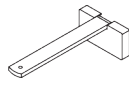
SG 11211

Square Smart Fix 80 mm



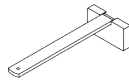
SG 11212

Square Smart Fix 100 mm



SG 11213

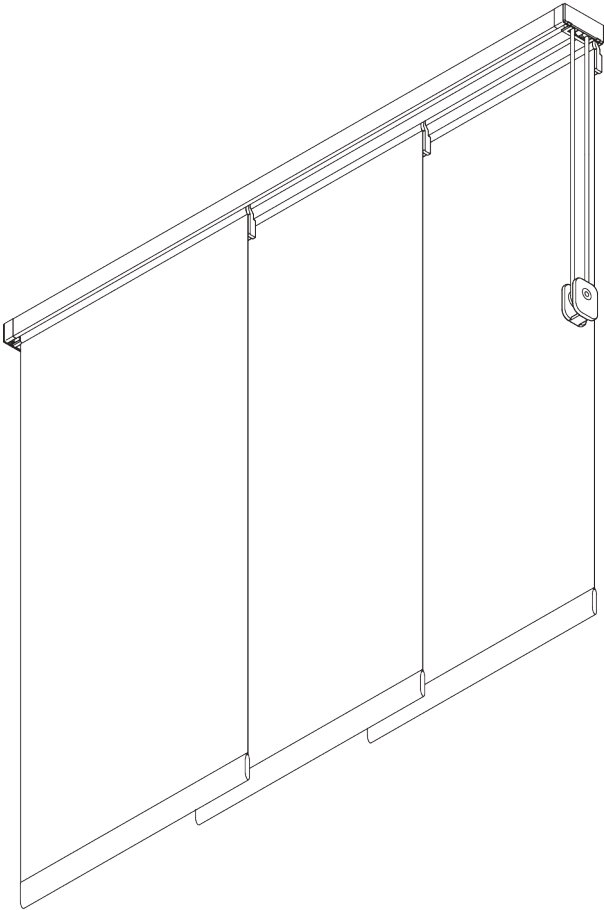
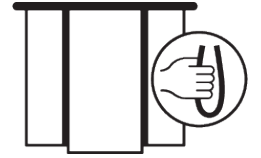
Square Smart Fix 120 mm



SG 11214

Square Smart Fix 150 mm

SG 2710



PRODUCT INFORMATION

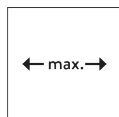
- **Operation:** cord
- **Range:** S - L
- **Fitting:** ceiling, wall, recess
- **Colours:** white RAL 9016 or anodised aluminum, special colours possible
- **Fabrics:** refer to Silent Gliss fabric collection

Features:

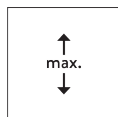
- 2-component (2C) roller technology
- Silent and smooth running
- Aluminium carriers

SYSTEM SPECIFICATIONS

A. SYSTEM DIMENSIONS



6 m



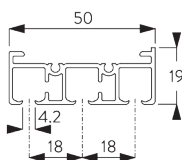
4 m



max. 2 kg per m

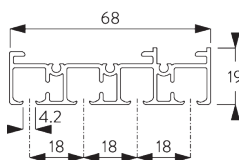
B. PROFILE

Profile information



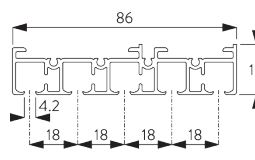
SG 10123

Profile 3-channel



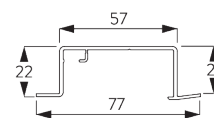
SG 10124

Profile 4-channel



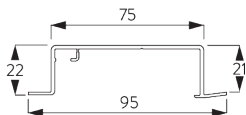
SG 10125

Profile 5-channel



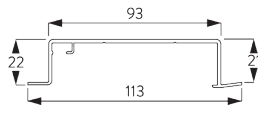
SG 10173

Recess profile 3-channel



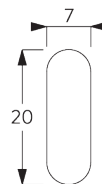
SG 10174

Recess profile 4-channel



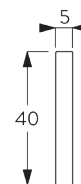
SG 10175

Recess profile 5-channel



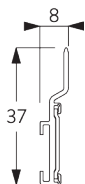
SG 2004

Bottom bar 20x7 mm



SG 2005

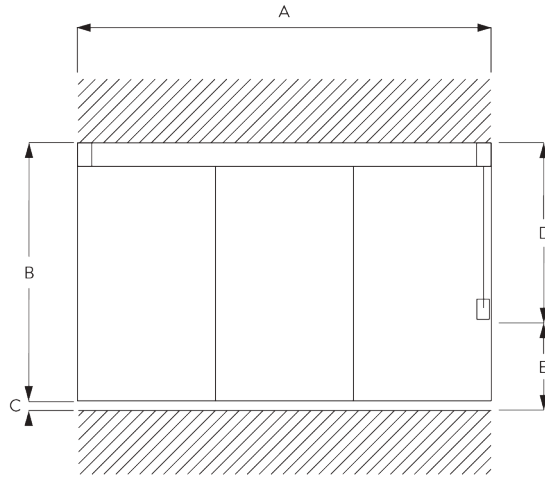
Bottom bar 40x5 mm



SG 10230

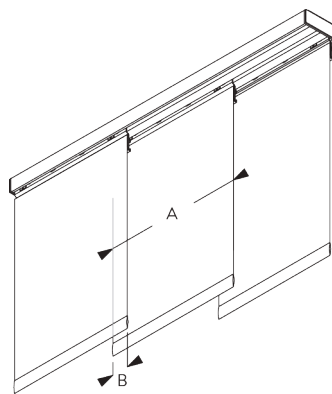
Carrier alu

**C. HOW TO
MEASURE**



- A: System width
- B: System height
- C: Distance between floor and fabric
- D: Cord height
- E: Safety Retainer SG 10731 min. 150 cm above floor

Dimensions of Panels



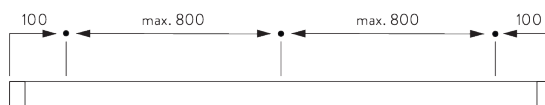
- A: Recommended panel width: 500 - 1200
- B: Overlap: min. 50

FITTING

**A. FITTING
INFORMATION**

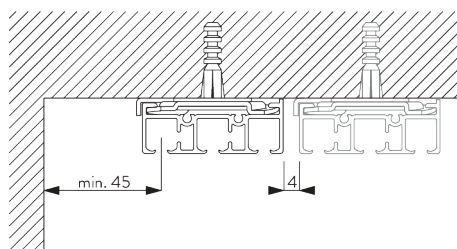
For detailed fitting information, visit the Silent Gliss website.

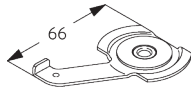
Fixing points



B. CEILING FITTING

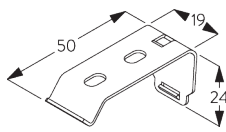
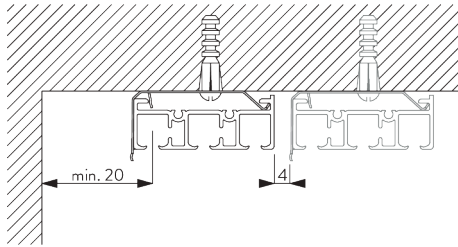
Clamp SG 3003





SG 3003
Clamp

Bracket SG 10137

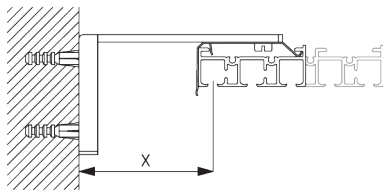


SG 10137
Bracket

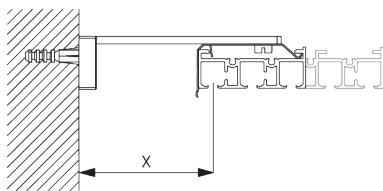
Bracket	SG 10123	SG 10124
SG 10137	X	X

C. WALL FITTING

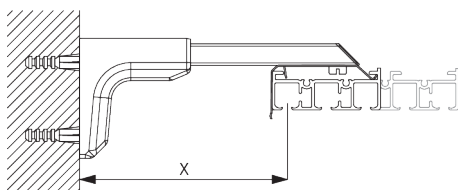
Smart Fix



Smart Fix SG 11200 - SG 11204:
Screw SG 10395 (M4x6) needed.

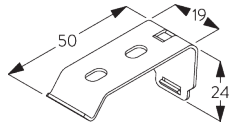


Square Smart Fix SG 11210 - SG 11214:
Screw SG 10395 (M4x6) needed.



Universal Smart Fix 11154 - SG 11156:
Screw SG 10492 (M4x8) needed.

Smart Fix	X mm (SG 10123)	X mm (SG 10124)	X mm (SG 10125)
SG 11200 / SG 11210	24	24	24
SG 11201 / SG 11211	44	44	44
SG 11202 / SG 11212	64	64	64
SG 11203 / SG 11213	84	84	84
SG 11204 / SG 11214	114	114	114
SG 11154	74-102	74-102	74-102
SG 11155	104-132	104-132	104-132
SG 11156	154-182	154-182	154-182



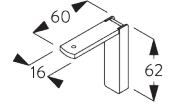
SG 10137
Bracket



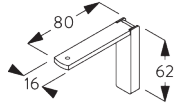
SG 10395
Pan head screw M4x6



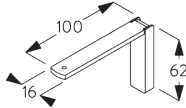
SG 10492
Pan head screw M4x8



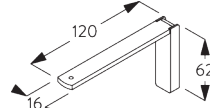
SG 11200
Smart Fix 60 mm



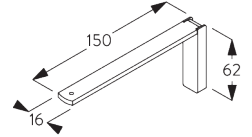
SG 11201
Smart Fix 80 mm



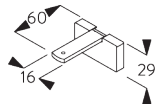
SG 11202
Smart Fix 100 mm



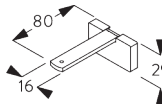
SG 11203
Smart Fix 120 mm



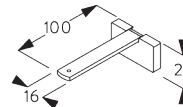
SG 11204
Smart Fix 150 mm



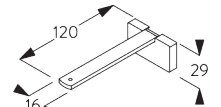
SG 11210
Square Smart Fix 60 mm



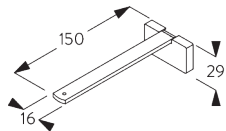
SG 11211
Square Smart Fix 80 mm



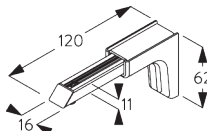
SG 11212
Square Smart Fix 100 mm



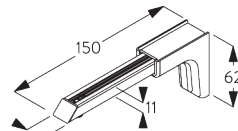
SG 11213
Square Smart Fix 120 mm



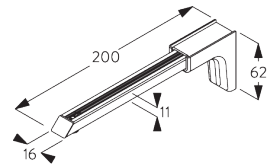
SG 11214
Square Smart Fix 150 mm



SG 11154
Universal Smart Fix 120 mm



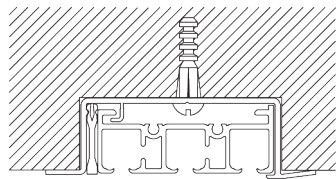
SG 11155
Universal Smart Fix 150 mm



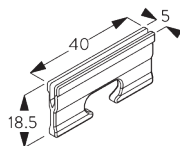
SG 11156
Universal Smart Fix 200 mm

D. RECESS FITTING

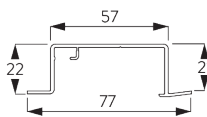
Recess profiles SG 10173 - SG 10175



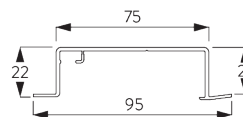
One wedge SG 10157 per fixing point.
For detailed recess fitting, visit the Silent Gliss website.



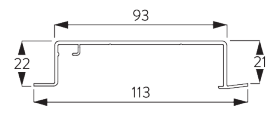
SG 10157
Wedge



SG 10173
Recess profile 3-channel



SG 10174
Recess profile 4-channel



SG 10175
Recess profile 5-channel

SYSTEM OPTIONS

A. PANEL STACKING



Single stack
Note: dot = fixed panel


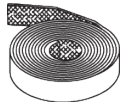
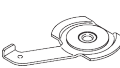


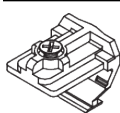
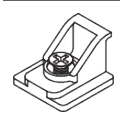
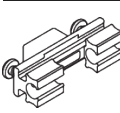
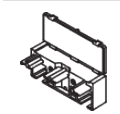
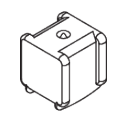

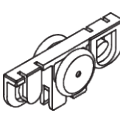




Pair stack
Note: dot = fixed panel



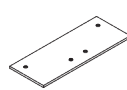
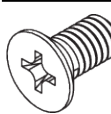
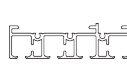

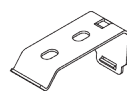
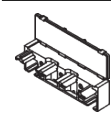
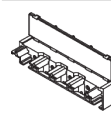
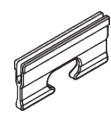




Other variations are possible.

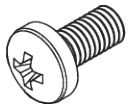
PARTS

A. STANDARD PARTS

	SG 2004 Bottom bar 20x7 mm
	SG 2539 Tape
	SG 3003 Clamp
	SG 3090 Cord ø 3.5 mm
	SG 10123 Profile 3-channel
	SG 10140 Angle
	SG 10146 Angle
	SG 10150 Pilot runner
	SG 10153 Cord guide
	SG 10156 End stop
	SG 10159 Countersunk head screw 3.5x13
	SG 10200 2C roller
	SG 10230 Carrier alu
	SG 10252 End cover left

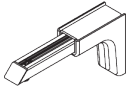
B. OPTIONAL PARTS

	SG 2005 Bottom bar 40x5 mm
	SG 3340 Cord/chain weight
	SG 6024 Connection bridge
	SG 10074 Countersunk head screw M4x8
	SG 10124 Profile 4-channel
	SG 10125 Profile 5-channel
	SG 10137 Bracket
	SG 10154 Cord guide
	SG 10155 Cord guide
	SG 10157 Wedge
	SG 10173 Recess profile 3-channel
	SG 10174 Recess profile 4-channel
	SG 10175 Recess profile 5-channel
	SG 10395 Pan head screw M4x6



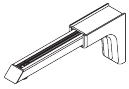
SG 10492

Pan head screw M4x8



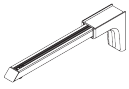
SG 11154

Universal Smart Fix 120 mm



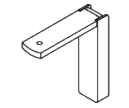
SG 11155

Universal Smart Fix 150 mm



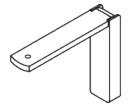
SG 11156

Universal Smart Fix 200 mm



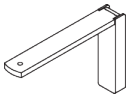
SG 11200

Smart Fix 60 mm



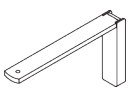
SG 11201

Smart Fix 80 mm



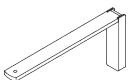
SG 11202

Smart Fix 100 mm



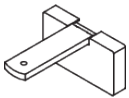
SG 11203

Smart Fix 120 mm



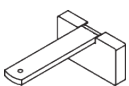
SG 11204

Smart Fix 150 mm



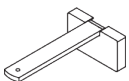
SG 11210

Square Smart Fix 60 mm



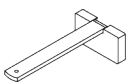
SG 11211

Square Smart Fix 80 mm



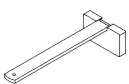
SG 11212

Square Smart Fix 100 mm



SG 11213

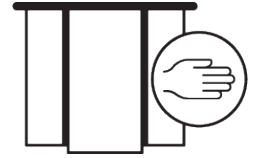
Square Smart Fix 120 mm



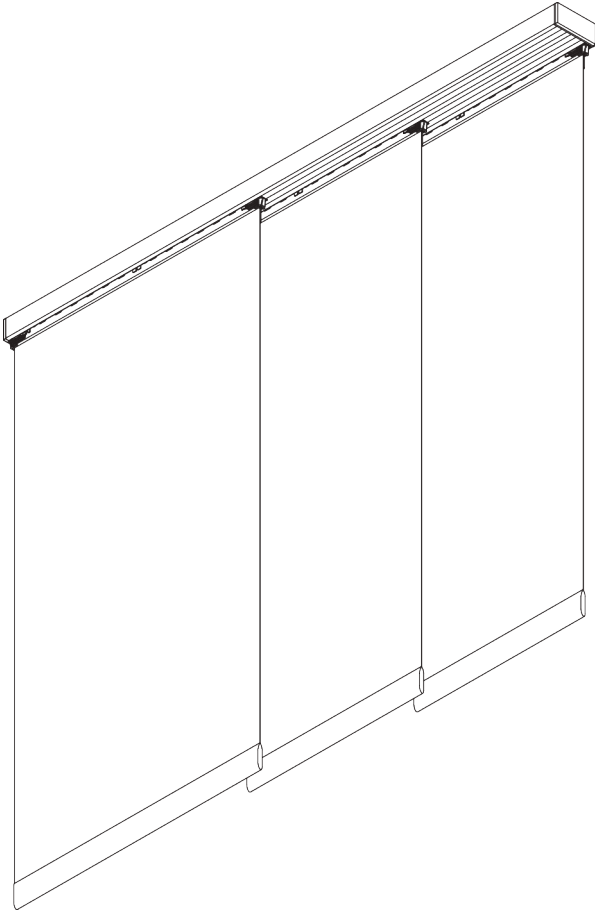
SG 11214

Square Smart Fix 150 mm

SG 2730



FLEX



PRODUCT INFORMATION

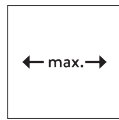
- **Operation:** hand
- **Range:** S - L
- **Fitting:** ceiling, wall
- **Colours:** white RAL 9016, anodised aluminum
- **Fabrics:** refer to Silent Gliss fabric collection

Features:

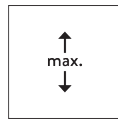
- 2-component (2C) roller technology
- Silent and smooth running
- Free floating or connectable panels
- Bendable

SYSTEM SPECIFICATIONS

A. SYSTEM DIMENSIONS



Panels free floating:
unlimited
Panels connected: 6 m



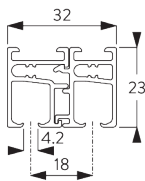
3 m



Max. 2 kg per m

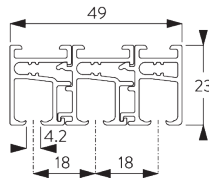
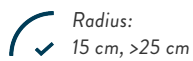
B. PROFILE

Profile and bending information



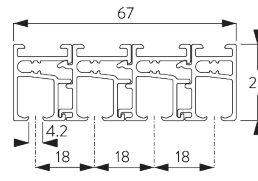
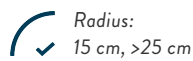
SG 10132

Profile 2-channel



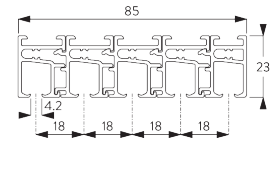
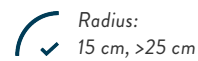
SG 10133

Profile 3-channel



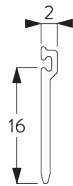
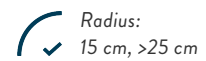
SG 10134

Profile 4-channel



SG 10135

Profile 5-channel



SG 10179

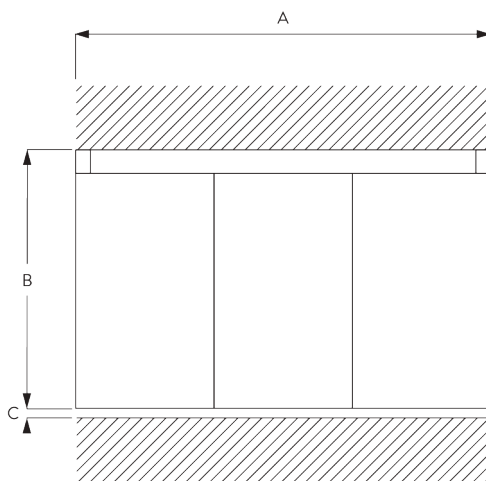
Profile



SG 10180

Carrier flexible

C. HOW TO MEASURE

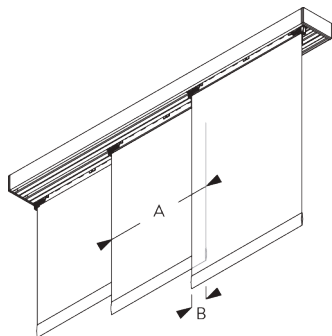


A: System width

B: System height

C: Distance between floor and fabric

Dimensions of Panels



Free floating:

A: Recommended panel width: 500 - 1200

Connected:

A: Recommended panel width: 500 - 1200

B: Overlap: min. 120

D. SPECIFICATION

TEXT

EN

Silent Gliss SG 2730 Flex System. Curved panel glide system supplied made to measure and complete comprising profiles SG 10132 / SG 10133 / SG 10134 / SG 10135 as necessary with carrier SG 10180 with associated components and flexible lead bottom weight SG 10233. Fabric panels stack right hand single / left hand single / pair / centre. Hand operated with panels unconnected / connected using draw rod of suitable height. Ceiling fix direct with suitable screw. Wall fix with SG Smart Fix brackets. Max. distance 800 mm between fixing points. Fabric to be chosen from Silent Gliss fabric collection, Price Group 1 / 2 / 3.

SV

Silent Gliss SG 2730 Flex böjbart skärmgardinsystem. Levereras komplett i specificerat mått innefattande profil 10132 / SG 10133 / SG 10134 / SG 10135 med vagnar SG 10180 med tillhörande komponenter samt tyngdprofil SG 10233. Textilpaneler med sidöppning höger / vänster / mittöppning / centrerad. Manövreras för hand med individuellt flyttbara textiler/kopplade med dragstav anpassad till lämplig höjd. Takmontering med skruv direkt i tak anpassad efter fästmaterial. Vägghävt montering med SG Smart Fix. Max. c/c 800 mellan fästpunkter. Textil från Silent Gliss textilprogram i prisgrupp 1-4.

NO

Silent Gliss SG2700 Flex bøypart panelsystem. Leveres komplett måltilpasset. Består av profil 10132/SG10133/SG10134/SG10135 med vogner SG10180 inkl. tilhørende komponenter samt tyngdeprofil SG10233. Tekstilpaneler med sideåpning høyre/venstre / midtåpning / sentrert. Betjenes for hånd med individuelt bevegelige tekstiler/koblet med betjeningsstav, tilpasset egnet høyde. Takmontering med skruv direkte i tak, tilpasset monteringsmaterial. Veggmontering med SG Smart Fix vinkler. Max c/c 800 mm mellom festepunkt. Tekstil fra Silent Gliss tekstilkolleksjon i prisgruppe 1-4.

DA

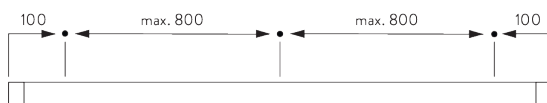
Silent Gliss SG 2730 Flex System. Bøjeligt panelsystem, der leveres i ønsket længde og komplet, bestående af profilerne SG 10132 / SG 10133 / SG 10134 / SG 10135 efter behov med vogn SG 10180 med tilhørende komponenter og fleksibel tyngdeprofil SG 10233. Tekstilpaneler med sideåbning højre side enkelt / venstre side enkelt / par / centreret. Betjenes manuelt hvis panelerne ikke er tilsluttede / tilsluttede med en trækstang af passende højde. Fastgøres direkte i loftet med passende skrue. Vægmonteres med SG Smart Fix. Afstand mellem fastgøringspunkter højst 800 mm. Stoffet vælges fra Silent Gliss stofprogrammet, prisgruppe 1 / 2 / 3.

FITTING

A. FITTING INFORMATION

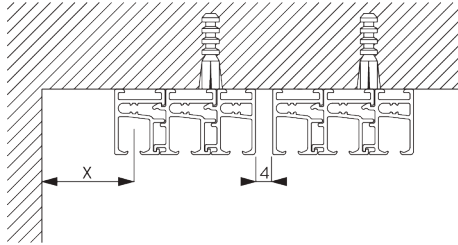
Fixing points

For detailed fitting information, visit the Silent Gliss website.



B. CEILING FITTING

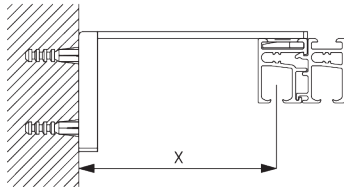
Direct fitting



X = depending on room conditions

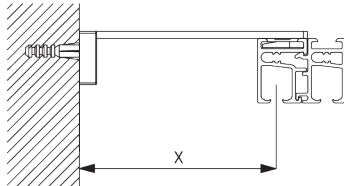
C. WALL FITTING

Smart Fix



Smart Fix with slot SG 11206 - SG 11208:

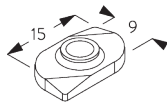
Screw SG 10395 (M4x6) needed.



Square Smart Fix with slot SG 11216 - SG 11218:

Screw SG 10395 (M4x6) needed.

Smart Fix	X mm (SG 10132)	X mm (SG 10133)	X mm (SG 10134)	X mm (SG 10135)
SG 11206 / SG 11216	50	32	-	-
SG 11207 / SG 11217	70	52	34	-
SG 11208 / SG 11218	90	72	44	on request



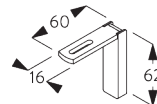
SG 10160

Slot nut



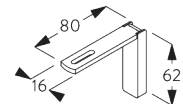
SG 10395

Pan head screw M4x6



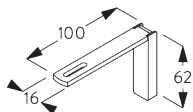
SG 11206

Smart Fix with slot 60 mm



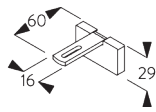
SG 11207

Smart Fix with slot 80 mm



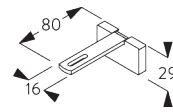
SG 11208

Smart Fix with slot 100 mm



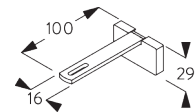
SG 11216

Square Smart Fix with slot 60 mm



SG 11217

Square Smart Fix with slot 80 mm

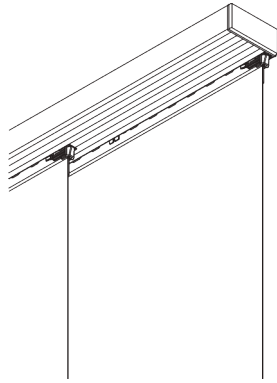


SG 11218

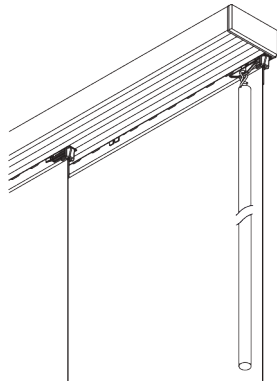
Square Smart Fix with slot 100 mm

SYSTEM OPTIONS

A. OPERATION



Free floating (unconnected panels)



Connected panels (draw rod optional)

B. PANEL STACKING (CONNECTED)



Single stack

Note: dot = fixed panel



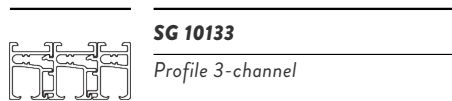
Pair stack

Note: dot = fixed panel

Other variations are possible. Same splitting for curved profiles.

PARTS

A. STANDARD PARTS



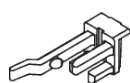
SG 10133
Profile 3-channel



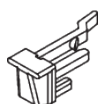
SG 10159
Countersunk head screw 3.5x13



SG 10163
End cover



SG 10167
Clip left



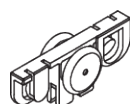
SG 10168
Clip right



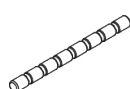
SG 10179
Profile



SG 10180
Carrier flexible



SG 10200
2C roller



SG 10233
Lead weight 100 gr/m



SG 10234
Fabric weight glass

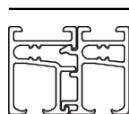


SG 10237
Clip holder



SG 10248
Screw Pozi 4.5x70 mm SPAX

B. OPTIONAL PARTS



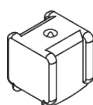
SG 10132
Profile 2-channel



SG 10134
Profile 4-channel



SG 10135
Profile 5-channel



SG 10156
End stop



SG 10160
Slot nut



SG 10162
End cover



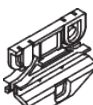
SG 10164
End cover



SG 10165
End cover



SG 10177
Connection bridge



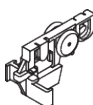
SG 10196
Eyelet for draw rod



SG 10235
Sticker for screw head



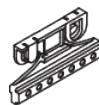
SG 10239
Angle left



SG 10241
Angle right



SG 10243
Angle



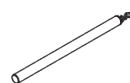
SG 10244
Slider



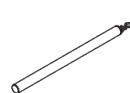
SG 10247
Screw Pozi 4.5x50 mm SPAX



SG 10395
Pan head screw M4x6



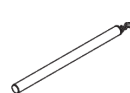
SG 10430
Draw rod 50 cm



SG 10431
Draw rod 75 cm



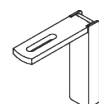
SG 10432
Draw rod 100 cm



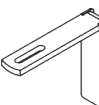
SG 10433
Draw rod 125 cm



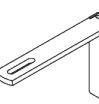
SG 10434
Draw rod 150 cm



SG 11206
Smart Fix with slot 60 mm



SG 11207
Smart Fix with slot 80 mm



SG 11208
Smart Fix with slot 100 mm



SG 11216
Square Smart Fix with slot 60 mm

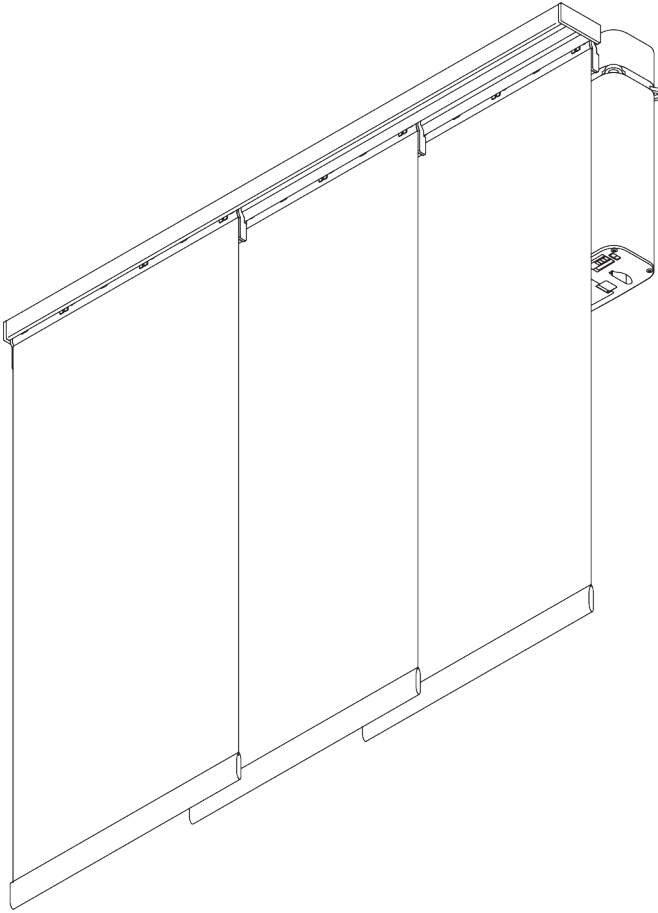
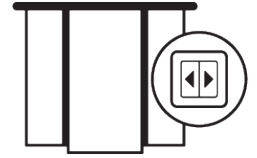


SG 11217
Square Smart Fix with slot 80 mm



SG 11218
Square Smart Fix with slot 100 mm

SG 2750



PRODUCT INFORMATION

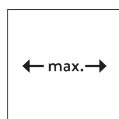
- **Operation:** motorised
- **Range:** S - L
- **Fitting:** ceiling
- **Colours:** white RAL 9016 or anodised aluminum, special colours possible
- **Fabrics:** refer to Silent Gliss fabric collection

Features:

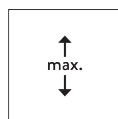
- 2-component (2C) roller technology
- Silent and smooth running
- Aluminium carriers
- Applicable with electric curtain track system SG 5100 or SG 5600

SYSTEM SPECIFICATIONS

A. SYSTEM DIMENSIONS



6 m



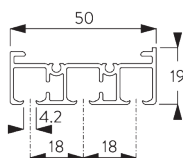
4 m



max. 2 kg per m

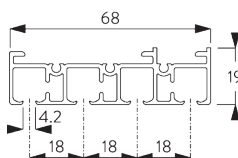
B. PROFILE

Profile information



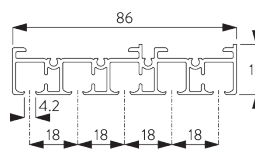
SG 10123

Profile 3-channel



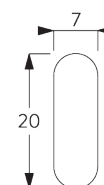
SG 10124

Profile 4-channel



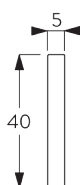
SG 10125

Profile 5-channel



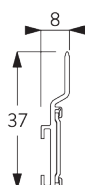
SG 2004

Bottom bar 20x7 mm



SG 2005

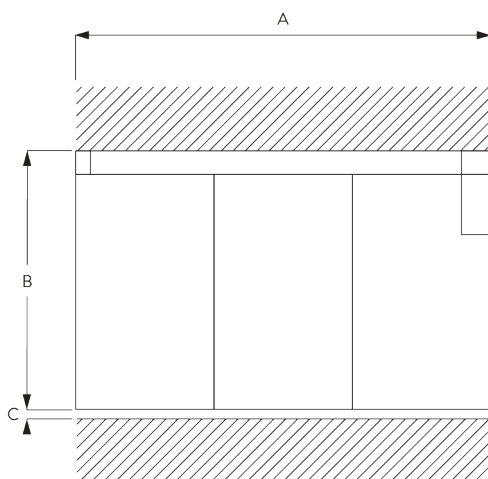
Bottom bar 40x5 mm



SG 10230

Carrier alu

C. HOW TO MEASURE

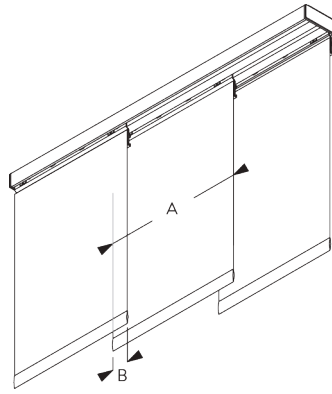


A: System width

B: System height

C: Distance between floor and fabric

Dimensions of Panels



A: Recommended panel width: 500 - 1200

B: Overlap: min. 50

D. SPECIFICATION

TEXT

EN

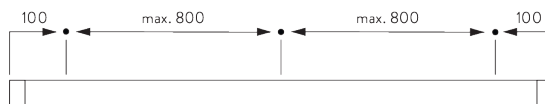
Silent Gliss SG 2750 Electrically Operated Panel Glide System. Supplied made to measure and complete comprising profiles SG 10123 / SG 10124 / SG 10125 as necessary with carriers SG 10230 with associated components and bottom weight SG 2006. Fabric panels stack right hand single / left hand single / pair / centre. Electrically operated (incorporating electric curtain track system SG 5600). Ceiling fixed using clamps SG 3003 / SG 3004. Fabric to be chosen from Silent Gliss fabric collection, Price Group 1 / 2 / 3 / 4.

FITTING

A. FITTING INFORMATION

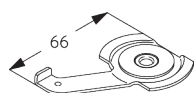
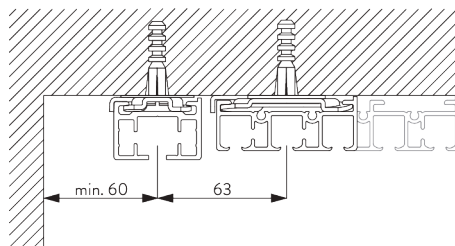
For detailed fitting information, visit the Silent Gliss website.

Fixing points

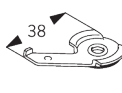


B. CEILING FITTING

With SG 5600

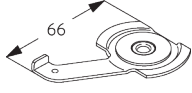
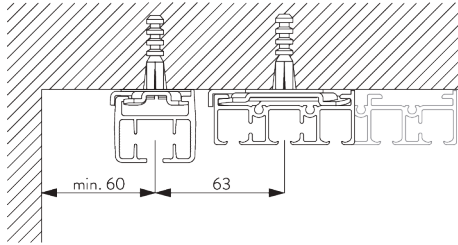


SG 3003
Clamp



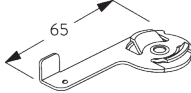
SG 3004
Clamp

With SG 5100



SG 3003

Clamp

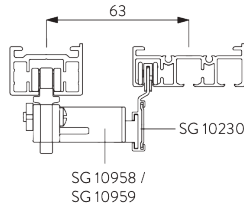
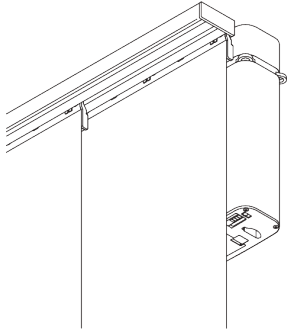


SG 10926

Clamp

SYSTEM OPTIONS

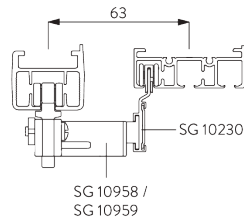
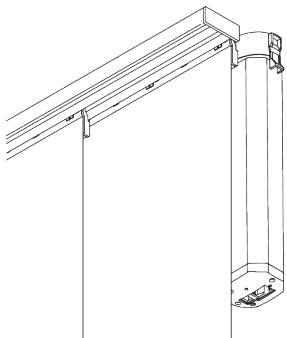
A. MOTORISATION



Motorised with SG 5600

- Single stack systems: carrier SG 10958
- Pair stack systems: carriers SG 10958 / SG 10959

For further details refer to the electric curtain track catalogue.



Motorised with SG 5100

- Single stack systems: carrier SG 10958
- Pair stack systems: carriers SG 10958 / SG 10959

For further details refer to the electric curtain track catalogue.

B. PANEL STACKING



Single stack

Note: dot = fixed panel




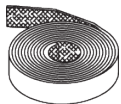


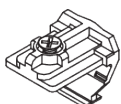
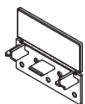
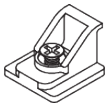
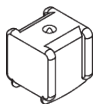

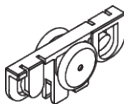



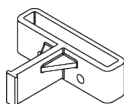
Pair stack

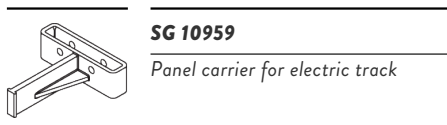
Note: dot = fixed panel

Other variations are possible.

PARTS


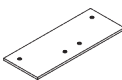


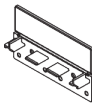
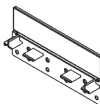
A. STANDARD PARTS

	SG 2004 Bottom bar 20x7 mm
	SG 2539 Tape
	SG 3003 Clamp
	SG 10123 Profile 3-channel
	SG 10140 Angle
	SG 10143 Cover
	SG 10146 Angle
	SG 10156 End stop
	SG 10159 Countersunk head screw 3.5x13
	SG 10200 2C roller
	SG 10230 Carrier alu
	SG 10252 End cover left
	SG 10253 End cover right
	SG 10958 Panel carrier for electric track



SG 10959
Panel carrier for electric track

B. OPTIONAL PARTS

	SG 2005 Bottom bar 40x5 mm
	SG 6024 Connection bridge
	SG 10124 Profile 4-channel
	SG 10125 Profile 5-channel
	SG 10144 End cover
	SG 10145 End cover

The Architects of Silence

Silent Gliss is the leading global supplier of premium interior window treatments. Since 1952 we have been tirelessly committed to the development of the worlds` smoothest, quietest systems using state of the art technology.

Driven by customer needs, Silent Gliss offers functional and durable products. Expert technical advice coupled with installation and support services complete the offer. Silent Gliss stands for innovative, sustainable, tailor made solutions, exceptional design and first-class quality.

Oy Vallila Contract Ab

Nilsjängkatu 15

FI-00510 Helsinki

T +358 (0)20 776 7700

F +358 (0)20 776 7701

silentgliss@vallilainterior.fi

silentgliss.fi