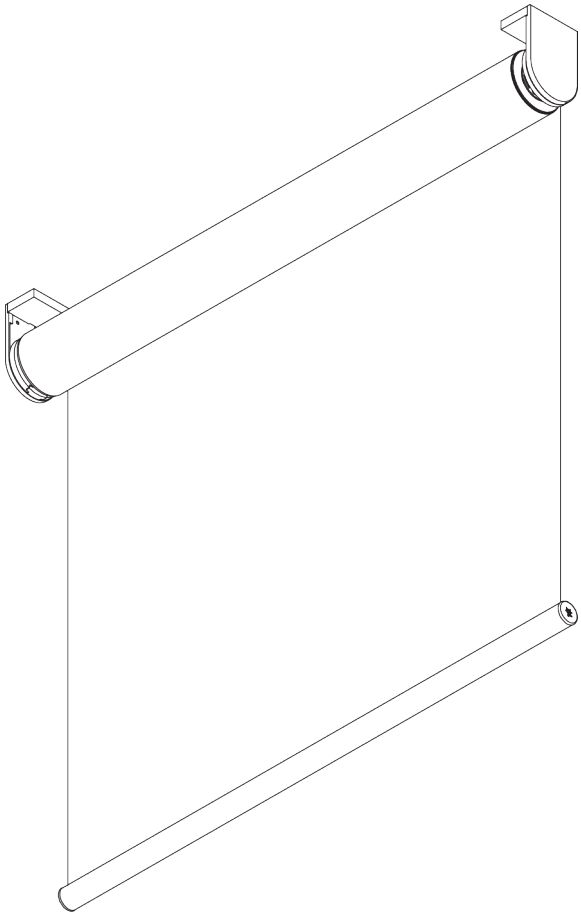


# SG 4970

---



## PRODUCT INFORMATION

- **Operation:** motorised
- **Range:** M - L
- **Fitting:** ceiling, wall, recess
- **Colours:** white RAL 9016, grey RAL 7035, black RAL 9005, special colours possible
- **Fabrics:** refer to Silent Gliss fabric collection

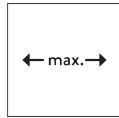
### **Features:**

- Quiet and fast motors
- Soft stop
- Various control options
- Two connected systems
- Click-in brackets, fascia, box, installation profile

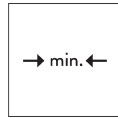
04/2024/V3

# SYSTEM SPECIFICATIONS

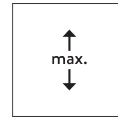
## A. SYSTEM DIMENSIONS



Single system: 3.4 m  
Double system: 6.8 m



65 cm\*  
\*see motor specification  
table



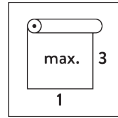
5 m



Single system: 17 m<sup>2</sup>  
Double system: 34 m<sup>2</sup>



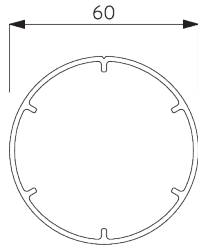
10 kg



Recommended width /  
height ratio  
max. 1:3

## B. PROFILE

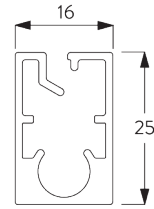
### Profile information



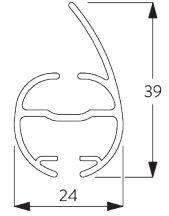
**SG 11037**  
Tube ø 60 mm



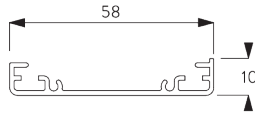
**SG 10760**  
Bottom bar



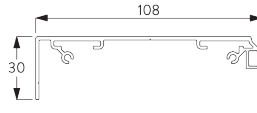
**SG 10770**  
Bottom bar



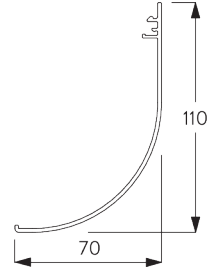
**SG 4903**  
Bottom bar



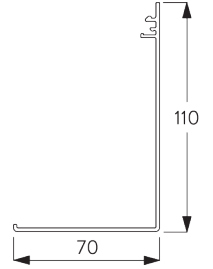
**SG 11181**  
Installation profile



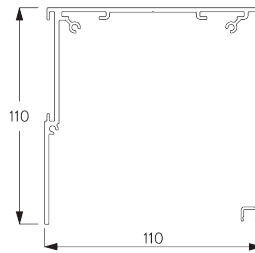
**SG 11530**  
Installation profile fascia 110 mm



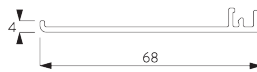
**SG 11531**  
Fascia round 110 mm



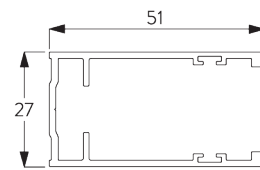
**SG 11532**  
Fascia square 110 mm



**SG 11533**  
Box case 110 mm



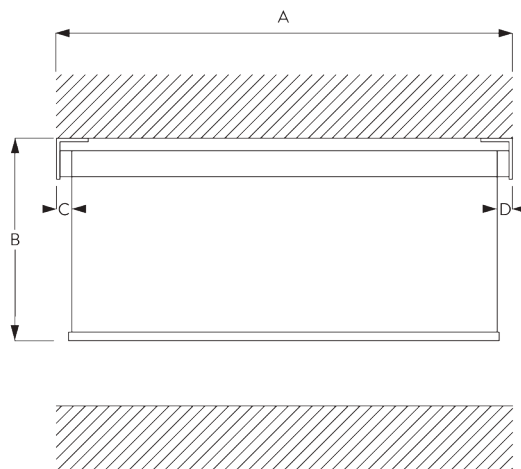
**SG 11534**  
Box cover 110 mm



**SG 11542**  
Side guide channel

## C. HOW TO MEASURE

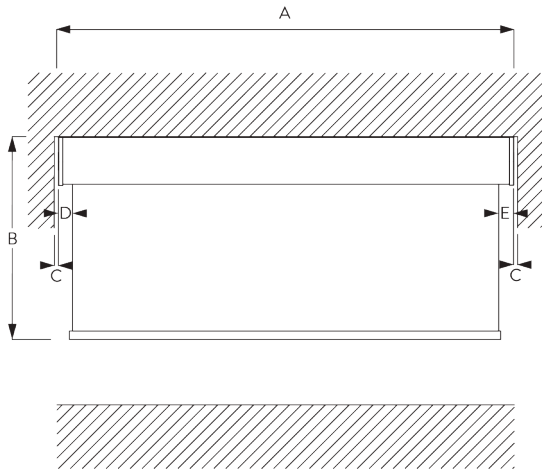
incl. bracket covers



A: System width  
B: System height  
C: Light gap: 18 mm  
D: Light gap operation side: 25 mm

Note:  
Different light gaps see motor specifications.  
All measurements include 2 mm for bracket cover per side!

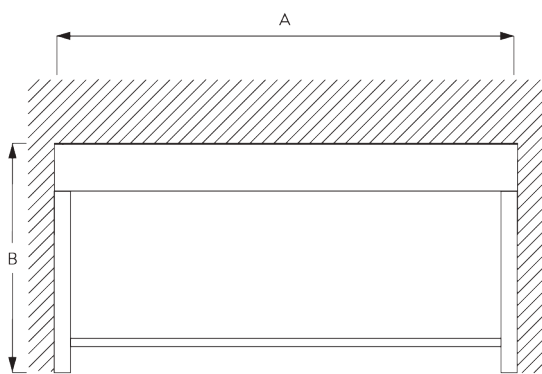
### Fascia / Box



- A: System width
- B: System height
- C: Gap: min. 10 mm (when cover is used)\*
- D: Light gap: 20 mm
- E: Light gap operation side: 27 mm

Note:  
Different light gaps see motor specifications.  
\*Possible to make Fascia wider than system to reduce gap between wall and system.

### Fascia / Box with Side Profiles SG 11542



- A: System width
- B: System height

## D. SPECIFICATION

### TEXT

#### EN

Silent Gliss SG 4970 Electrically Operated Roller Blind System. Roller blind system for applications up to 3.4m wide. Supplied made to measure and complete comprising anodised aluminium barrel SG 11037, 60 mm. Fixed to wall / ceiling / inside recess with brackets SG 11172 / 75 / 77 and bracket covers SG 11173 / SG 11174. Brackets and hardware in white / grey / black finish. Assembled with powder coated white/ grey / black aluminium bottom weight bar SG 4903 / SG 10993 as standard. Optional installation profile SG 11181 for easy installation with clamps SG 11180. Optional side guide wires. Connected system through fitting SG 11183. Integral 230V motor SG 10520 / SG 10522 left / right side. Operation by mains switch (not supplied), by remote control or mains switching by third party control system. All wiring to be strictly in accordance with Silent Gliss wiring diagrams. Fabric to be chosen from the Silent Gliss fabric range, Price Group 1-4.

#### SV

Silent Gliss SG 4970 rullgardinsystem med motor. Rullgardinsystem för installationer upp till 3.4 m bredd. Levereras komplett i specificerat mått innefattande anodiserat rör SG 11037, 60 mm. Vägg / tak och nischmontering med fästen SG 11172 / 75 / 77 samt täckplattor SG 11173 / SG 11174 i vitt / grått eller svart. Alternativt med installationsprofil SG 11181 som monteras med fästen SG 11180. Sidewire som tillbehör. Dubbelsystem med kopplingsbeslag SG 11183. Monterad pulverlackerad tyngdprofil i aluminium i finish vitt / grått / svart med SG 4903 / SG 10993. Integrerad 230V motor SG 10520 / SG 10522 vänster / höger sida. Styrning via väggkontakt (ej inkluderad), via fjärrkontroll eller via externt styrsystem. All elinstallation skall följa Silent Gliss kopplingsschema. Textil från Silent Gliss textilprogram i prisgrupp 1-4.

#### NO

Silent Gliss SG 4970 rullegardinsystem med motor. Rullegardinsystem for maks. bredde på 3,4 meter. Leveres komplett på spesialmåll med anodisert rør integrert, SG 11037, 60 mm. Tak-, vegg- og nischmontering med feste SG 11172 / 75 / 75 samt dekkplate SG 11173 / SG 11174 i hvit, grå eller svart. Alternativt monteringsprofil SG 11181 som monteres med feste SG 11180. Sidewire som tilbehør. Koblingsbeslag SG 11183 for betjening av dobbelt system med kulekjede. Monteret tyngdeprofil i pulverlakkert aluminium i hvit/alu/svart med SG 4903 / SG 10993. Integrert styring via veggkontroll eller vi eksternt styringssystem. Alle elektriske tilkoblinger skal utføres i.h.t. Silent Gliss koblingsskjema. Tekstil fra Silent Gliss kolleksjon i prisgruppe 1-4.

#### DA

Silent Gliss SG 4970 elektrisk rullegardinsystem. Rullegardinsystemer til installationer med op til 3,4 m bredde. Leveres i ønsket længde og samlet. Består af anodiseret aluminiumrør SG 11037, 60 mm. Fastgøres i væggen / loftet / indfældes med beslagene SG 11172 / 75 / 77 og beslagafdækningerne SG 11173 / SG 11174. Beslag og armaturer i hvid / grå / sort finish. Samlet med pulverlakeret hvid, aluminium eller sort finish tyngdeprofil SG 4903 / SG 10993 som standard. Alternativt med installationsprofil SG 11181 for nem installation med klemmerne SG 11180. Sidewirer som tilbehør. Tilsluttet system med fitting SG 11183. Integreret 230 V motor SG 10520 / SG 10522 venstre / højre side. Styres med lysnetkontakt (medfølger ikke), med fjernbetjening eller lysnetkontakt fra tredjepart system. Al ledningsføring skal udelukkende vælges i henhold til Silent Gliss ledningsdiagrammer. Stoffet vælges fra Silent Gliss stofprogrammet, prisgruppe 1-4.

# FITTING

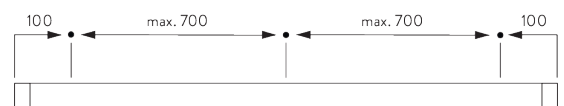
## A. FITTING INFORMATION

### Fixing points

For detailed fitting information, visit the Silent Gliss website.

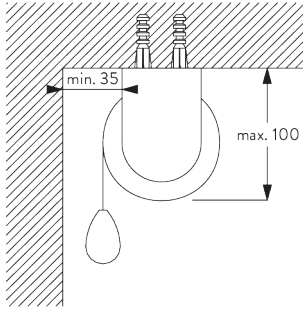


Brackets (wall / ceiling)

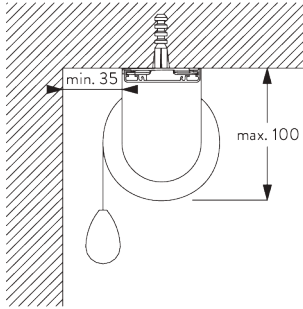


Fascia / box & installation profile SG 11181 (wall / ceiling)

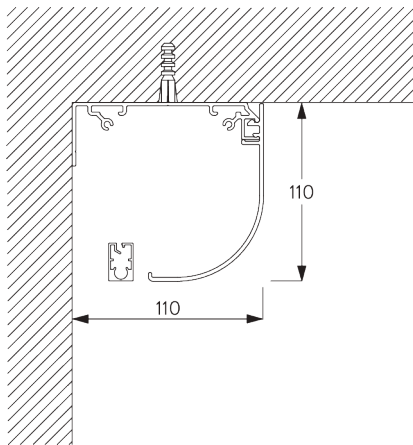
## **B. CEILING FITTING**



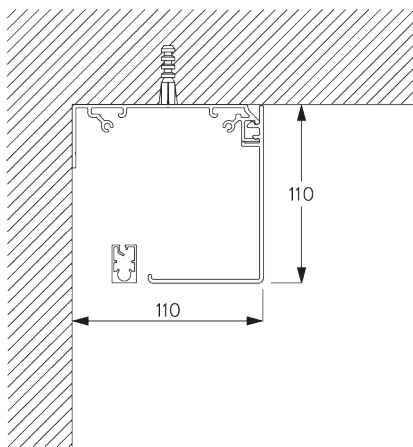
**Brackets**



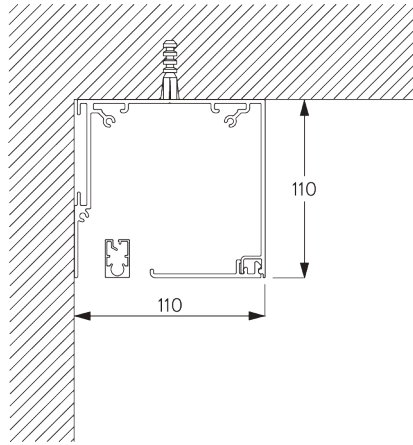
**Installation profile SG 11181 and clamp SG 11180**



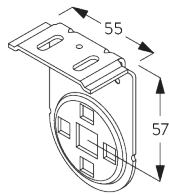
**Fascia round**



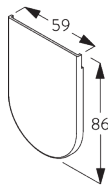
**Fascia square**



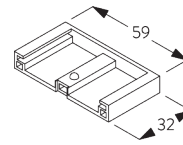
**Box**



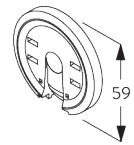
**SG 11172**  
Bracket



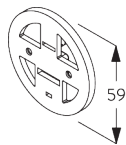
**SG 11173**  
Bracket cover



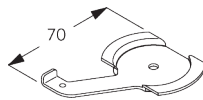
**SG 11174**  
Bracket cover



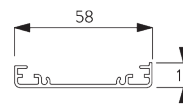
**SG 11175**  
Click flange



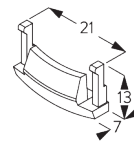
**SG 11177**  
Motor support



**SG 11180**  
Clamp

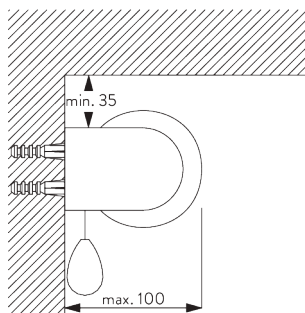


**SG 11181**  
Installation profile

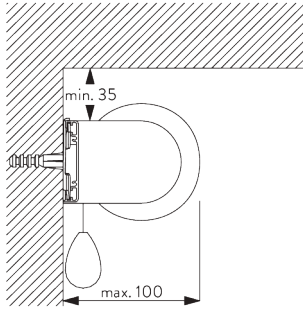


**SG 11179**  
Cover

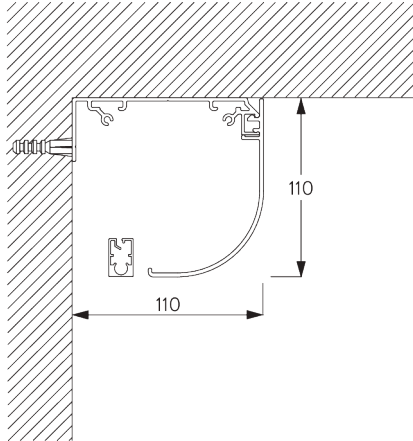
**C. WALL FITTING**



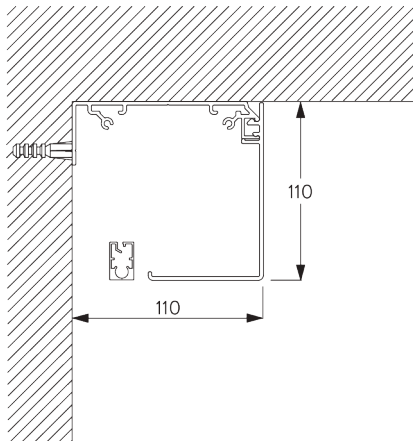
**Brackets**



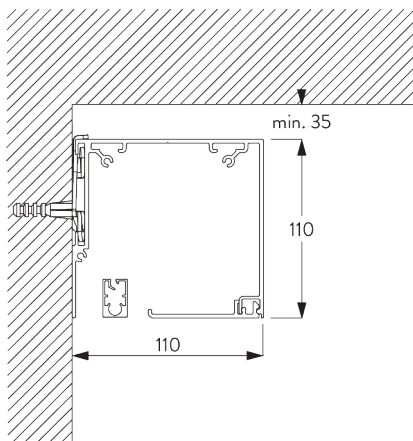
**Installation profile SG 11181 and clamp SG 11180**



**Fascia round**

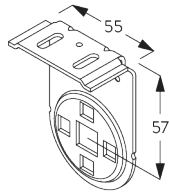


**Fascia square**

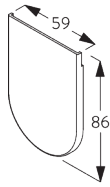


**Box and clamp SG 11180**

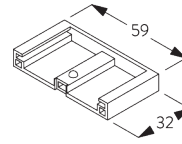




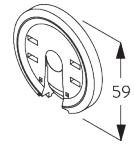
**SG 11172**  
Bracket



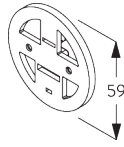
**SG 11173**  
Bracket cover



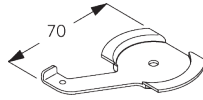
**SG 11174**  
Bracket cover



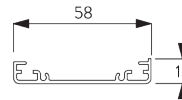
**SG 11175**  
Click flange



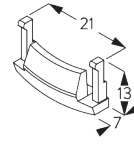
**SG 11177**  
Motor support



**SG 11180**  
Clamp

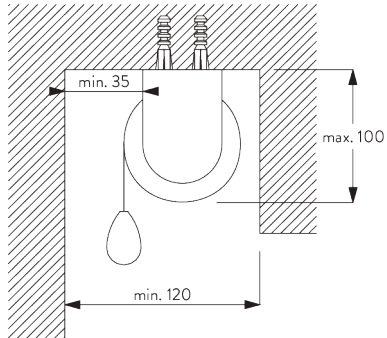


**SG 11181**  
Installation profile

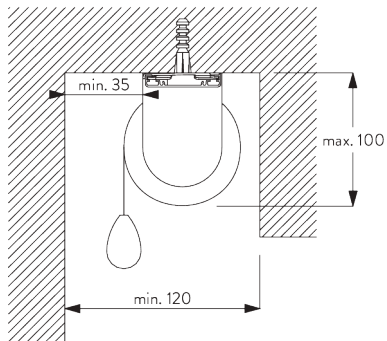


**SG 11179**  
Cover

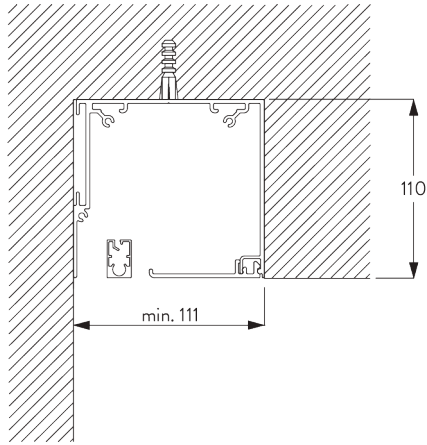
## **D. RECESS FITTING**



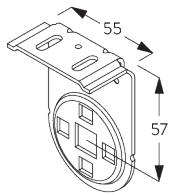
**Brackets**



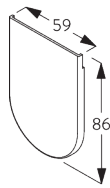
**Installation profile SG 11181 and clamp SG 11180**



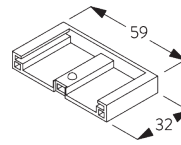
**Box**



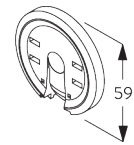
**SG 11172**  
Bracket



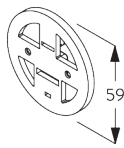
**SG 11173**  
Bracket cover



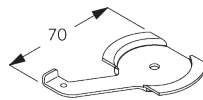
**SG 11174**  
Bracket cover



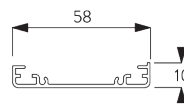
**SG 11175**  
Click flange



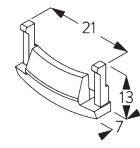
**SG 11177**  
Motor support



**SG 11180**  
Clamp

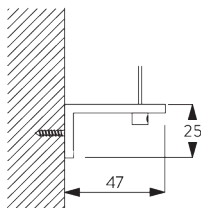


**SG 11181**  
Installation profile

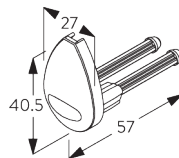


**SG 11179**  
Cover

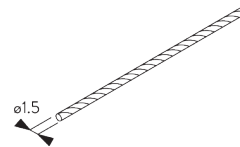
**E. FITTING WITH  
SIDE GUIDE  
OPTION**



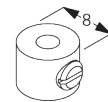
**SG 3036**  
Bracket 47 mm



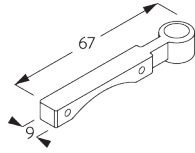
**SG 4944**  
Side guide end cover



**SG 4948**  
Side guide wire ø 1.5 mm



**SG 8249**  
Side guide device

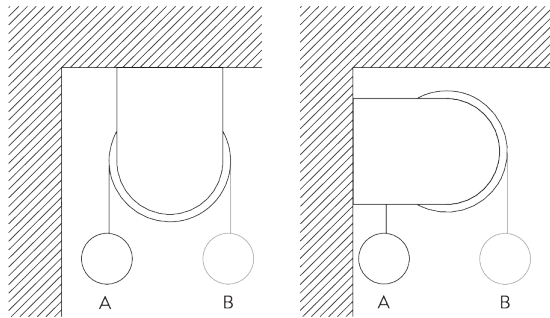


**SG 11182**

Side guide wire holder

# SYSTEM OPTIONS

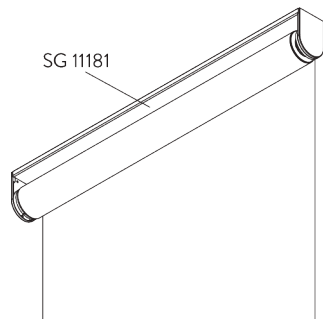
## A. FABRIC ROLL-OFF



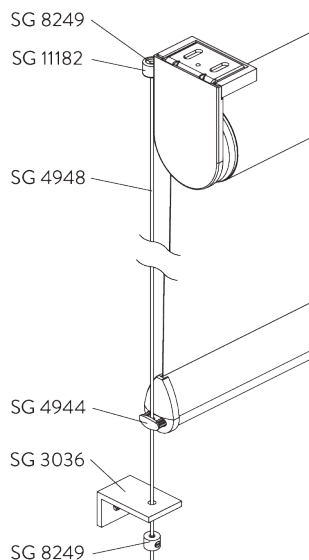
A: Fabric roll-off window side (standard)

B: Fabric roll-off room side (option)

## B. INSTALLATION PROFILE



### C. SIDE GUIDES



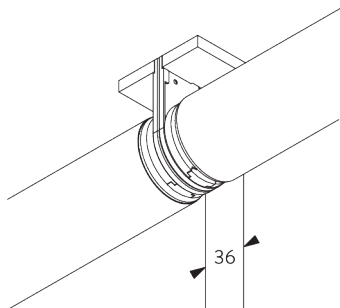
#### Additional parts:

- 2x SG 3036 Bracket
- 2x SG 4944 Side guide end cover
- 2x SG 4948 Side guide wire  $\varnothing$  1.5 mm
- 4x SG 8249 Side guide device
- 2x SG 11182 Side guide wire holder

#### Note:

- Light gaps increase when side-guide option is used
- Up to 15° from vertical
- Only applicable with bottom bar SG 4903

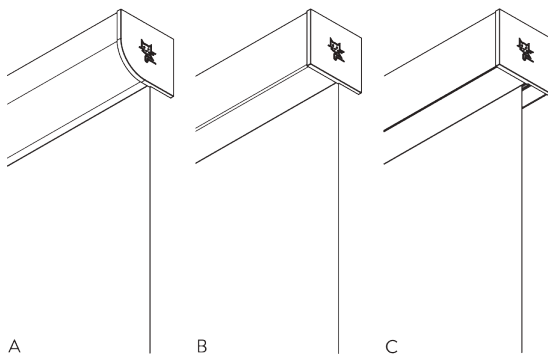
### D. TWO CONNECTED SYSTEMS



#### Additional parts:

- 1x SG 11175 Click flange
- 1x SG 11183 Connecting bolt
- 2x SG 11184 Connection bracket cover
- 1x SG 11195 Connection tube adapter

### E. FASCIA / BOX



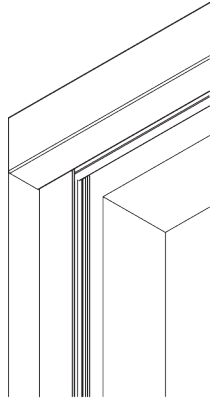
- A: Fascia round
- B: Fascia square
- C: Box

#### Size:

- 110 x 110 mm

#### Note:

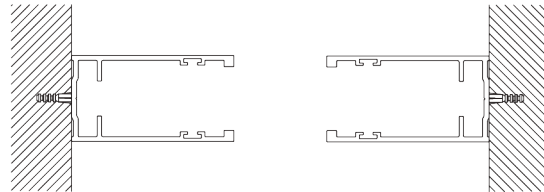
- Only applicable with bottom bar SG 10770
- Not possible with connected systems
- Two systems with one Fascia possible upon request



Optional side guide channels SG 11542 to be used with Fascia or Box.

Note:

- Only applicable with inside fitting
- Box: only recess fitting



# MOTORS & CONTROLS

## A. MOTOR FEATURES

Motors	50-Series	20-Series	20-Series	10-Series K	5-Series
	SG 11251	SG 10523	SG 10522	SG 10514	SG 10715

Motor Features					
Soft stop	•	•	•		
Electronic end-stop	•	•	•		
Electronic revolution counter (unlimited revolution)	•	•	•		
Mechanical end-stop				•	•
Mechanical revolution counter (limited revolution)				•	•
Two intermediate positions possible		•			
Bottom bar alignment	•				
Noiseless stop		•	•	•	
Parallel wiring possible without additional relays		•	•		
Disconnectable motor cable	•	•	•		
IP class	IP 30	IP 44	IP 44	IP 44	IP 44
Control Features					
Mains power control		•	•	•	•
SG Control L (built-in receiver)		•			
Smart by Silent Gliss	•				
Suitable for most major home automation systems (with suitable interface)		•	•	•	•

## B. MOTOR SPECIFICATIONS

Motors	Light gaps* C / D = driving side	Min. system width	Voltage	Current	Frequency	Speed	Frequency receiver
<b>50-Series (Smart by Silent Gliss)</b>							
SG 11251	C: 18 mm / D: 26 mm	65 cm	24 V DC	1.5 A	-	32 rpm	-
<b>20-Series</b>							
SG 10522 (standard)	C: 18 mm / D: 25 mm	65 cm	230 V AC	0.55 A	50 Hz	30 rpm	-
SG 10523	C: 18 mm / D: 25 mm	65 cm	230 V AC	0.55 A	50 Hz	30 rpm	868/915 MHz
<b>10-Series K</b>							
SG 10514	C: 18 mm / D: 25 mm	53 cm	230 V AC	0.52 A	50 Hz	30 rpm	-
<b>5-Series</b>							
SG 10715	C: 18 mm / D: 25 mm	65 cm	230 V AC	0.485 A	50-60 Hz	28 rpm	-

\*Light gaps Fascia or Box: C +3 mm / D +2 mm (20-Series: C +2 mm / D +2 mm)

## C. OPERATING METHODS

See catalogue "controls" for details.

### Wall Switch



System can be operated by fixed wall switch.

### SG Control L



Various radio hand-held and wall transmitters available.



Silent Gliss Move App.

### Smart by Silent Gliss



Open designed two-way communication system which allows to flawlessly integrate products with most major building management systems.

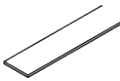
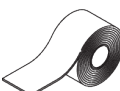
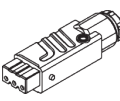




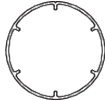
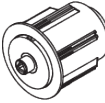


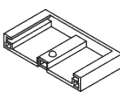


## D. WIRING DIAGRAMS


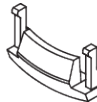
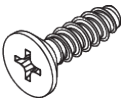
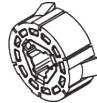


Refer to Silent Gliss website.

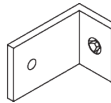
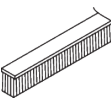

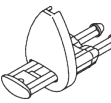


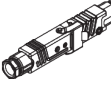
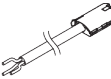



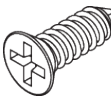


# PARTS

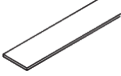
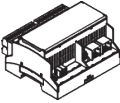


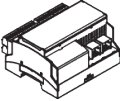

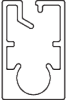
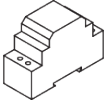


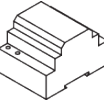
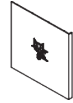

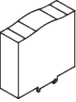



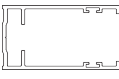

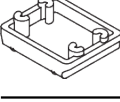




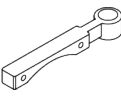

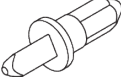



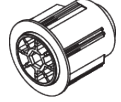



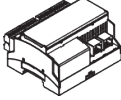

## A. STANDARD PARTS

	<b>SG 4223</b> PVC strip 14 mm
	<b>SG 4226</b> Double tape 30 mm
	<b>SG 9917</b> Hirschmann portable socket-outlet STAK 3 N
	<b>SG 10284</b> O-Ring
	<b>SG 10522</b> Motor 230V AC, 20-Series S 3/30
	<b>SG 10760</b> Bottom bar
	<b>SG 10761</b> End cover
	<b>SG 11037</b> Tube ø 60 mm
	<b>SG 11165</b> Tube adapter
	<b>SG 11172</b> Bracket
	<b>SG 11173</b> Bracket cover
	<b>SG 11174</b> Bracket cover
	<b>SG 11175</b> Click flange
	<b>SG 11176</b> Tube adapter

	<b>SG 11177</b> Motor support
	<b>SG 11179</b> Cover
	<b>SG 11323</b> PT Screw Countersunk KA35x12
	<b>SG 11358</b> Motor drive 10/20-Series

## B. OPTIONAL PARTS

	<b>SG 3036</b> Bracket 47 mm
	<b>SG 4508</b> Brush 5x7 mm
	<b>SG 4903</b> Bottom bar
	<b>SG 4944</b> Side guide end cover
	<b>SG 4948</b> Side guide wire ø 1.5 mm
	<b>SG 8249</b> Side guide device
	<b>SG 9916</b> Hirschmann plug set
	<b>SG 10293</b> Cable 230V AC, 2/3/5/10 m
	<b>SG 10300</b> Radio hand held 1 channel
	<b>SG 10302</b> Radio hand held 5+1 channel
	<b>SG 10303</b> Radio hand held 10+2+1 channel
	<b>SG 10498</b> Countersunk screw 2.9x9.5
	<b>SG 10514</b> Tubular motor 230V AC, 10 Series S 3/30 K
	<b>SG 10523</b> Motor 230V AC, 20-Series S 3/30, radio receiver

	<b>SG 10668</b> PVC strip 10 mm		<b>SG 11261</b> Gateway KNX		<b>SG 11534</b> Box cover 110 mm
	<b>SG 10715</b> Tubular motor 230V AC, 5 Series S 6/28		<b>SG 11262</b> Expansion unit		<b>SG 11537</b> Bracket cover round left 110 mm
	<b>SG 10770</b> Bottom bar		<b>SG 11263</b> Power supply 24V DC, 2 Ampere DIN Rail		<b>SG 11538</b> Bracket cover round right 110 mm
	<b>SG 10771</b> End cover		<b>SG 11264</b> Power supply 24V DC, 3.8 Ampere DIN Rail		<b>SG 11539</b> Bracket cover square left 110 mm
	<b>SG 10804</b> Radio hand held 15+5+1 channel		<b>SG 11265</b> Power supply 24V DC, 5 Ampere DIN Rail		<b>SG 11540</b> Bracket cover square right 110 mm
	<b>SG 11178</b> End cover		<b>SG 11266</b> Power supply 24V DC, 10 Ampere DIN Rail		<b>SG 11542</b> Side guide channel
	<b>SG 11180</b> Clamp		<b>SG 11311</b> Bracket spacer		<b>SG 11544</b> Bracket left 110 mm
	<b>SG 11181</b> Installation profile		<b>SG 11460</b> Cover for Hirschmann plug		<b>SG 11545</b> Bracket right 110 mm
	<b>SG 11182</b> Side guide wire holder		<b>SG 11480</b> Radio wall transmitter 1 channel		
	<b>SG 11183</b> Connection bolt		<b>SG 11490</b> Radio wall transmitter 5+1 channel		
	<b>SG 11184</b> Connection bracket cover		<b>SG 11530</b> Installation profile fascia 110 mm		
	<b>SG 11195</b> Connection tube adapter		<b>SG 11531</b> Fascia round 110 mm		
	<b>SG 11251</b> Tubular motor 24V DC, 50-Series S 3/32		<b>SG 11532</b> Fascia square 110 mm		
	<b>SG 11260</b> Gateway Cedia		<b>SG 11533</b> Box case 110 mm		