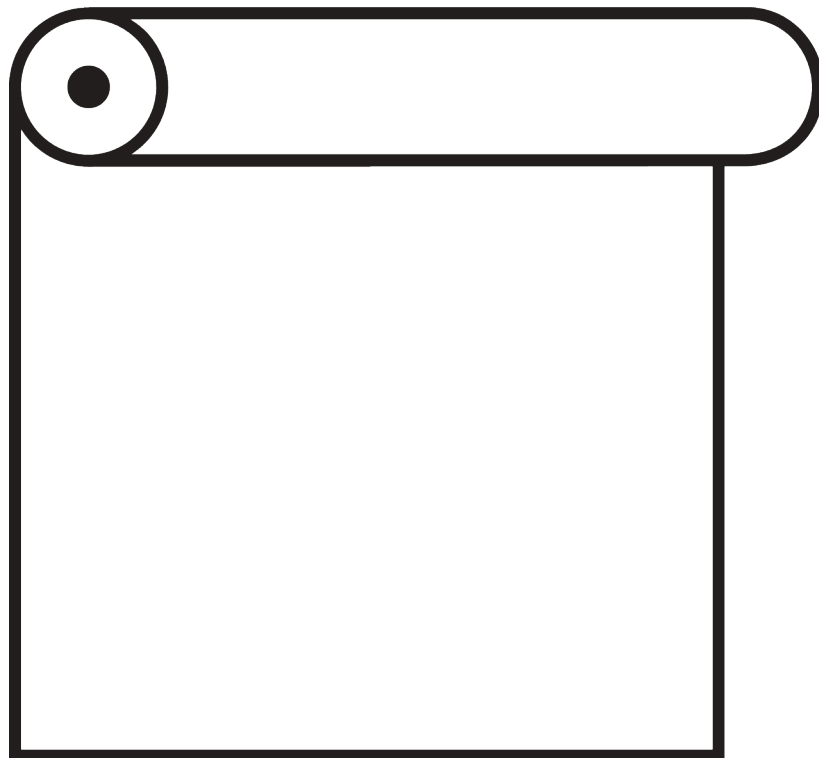


# ROLLER BLIND SYSTEMS



# GENERAL NOTES

## **Dimensions**

- Measurements are in mm except where indicated.
- Max. kg relates to fabric incl. accessories (bottom bars, etc.).











## **Fitting**

- Installation by qualified fitter only.
- Number of brackets and fitting positions / fixing points vary depending on fitting surface, system weight, fabric make-up, screw / fixing type and obstacles.
- Qualified fitter must use appropriate screws / fixings for each situation.
- Profile lip if applicable to be installed to room side.
- Electrical installations must be carried out according to Silent Gliss wiring diagrams and conform to local regulations.
- Check space for cables and plugs!

## **Child Safety**

- All relevant Silent Gliss systems correspond to child safety EN 13120.
- All parties involved must comply with EN 13120.

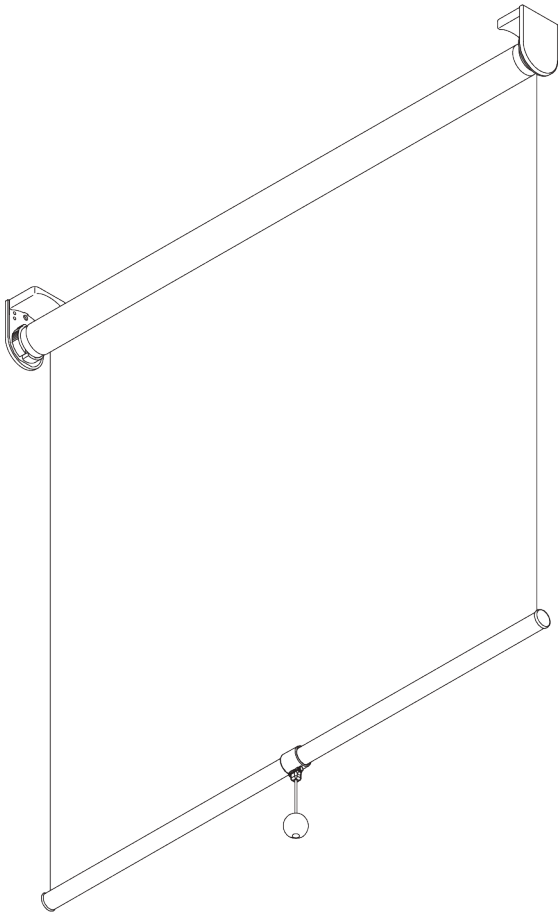
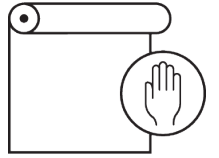
# APPLICATION CHART

<u>PAGE</u>	<u>SYSTEM</u>	<u>OPERATION</u>	<u>DIMENSION</u>	← max. →	↑ max. ↓	kg <sub>max.</sub>
5	<b>SG 4900</b>		S - M	2 m	3 m	2.2 kg
15	<b>SG 4905</b>		S	1.6 m	3 m	1.3 kg
23	<b>SG 4907</b>		S	1.8 m	2.8 m	2.5 kg
31	<b>SG 4910</b>		S - M	2.4 m	3 m	3 kg
49	<b>SG 4930</b>		M - L	3.4 m	5 m	7 kg
63	<b>SG 4840</b>		L	5 m	6 m	12.5 kg
73	<b>SG 4955</b>		S - M	2.4 m	4 m	2.5 kg
81	<b>SG 4960</b>		S - M	2.4 m	4 m	5.5 kg
101	<b>SG 4970</b>		M - L	3.4 m	5 m	10 kg
117	<b>SG 4880</b>		L	5 m	12 m	23 kg



# SG 4900

---



## PRODUCT INFORMATION

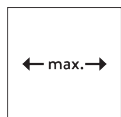
- **Operation:** spring
- **Range:** S - M
- **Fitting:** ceiling, wall, recess
- **Colours:** white RAL 9016 or anodised aluminum, special colours possible
- **Fabrics:** refer to Silent Gliss fabric collection

### **Features:**

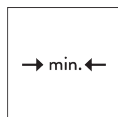
- Speed controller for controlled ascent
- Stop clutch mechanism to stop at any position
- Click-in brackets
- Installation profile
- End stop controller

# SYSTEM SPECIFICATIONS

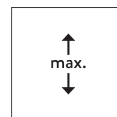
## A. SYSTEM DIMENSIONS



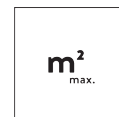
2 m



30 cm



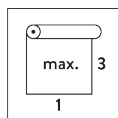
3 m



6 m<sup>2</sup>



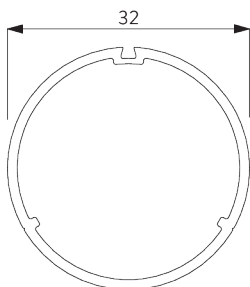
2.2 kg



Recommended width /  
height ratio  
max. 1:3

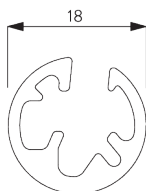
## B. PROFILE

Profile information



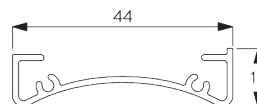
**SG 4227**

Tube ø 32 mm



**SG 10872**

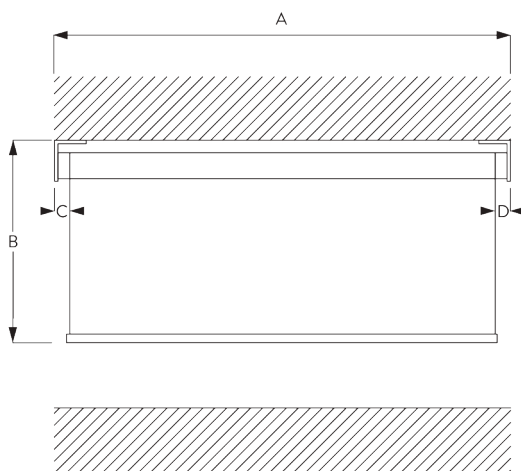
Bottom bar



**SG 10534**

Installation profile

## C. HOW TO MEASURE



- A: System width
- B: System height
- C: Light gap left side: 15 mm
- D: Light gap right side: 15 mm

Note:  
All measurements include 2 mm for bracket cover per side!

## D. SPECIFICATION

### TEXT

#### EN

Silent Gliss SG 4900 Spring Operated Roller Blind System. Roller blind system applications up to 2.0 m wide. Supplied made to measure and complete comprising anodised aluminium barrel SG 4227, 32 mm. Ceiling fix with brackets SG 10987 / SG 10989 / wall fix with brackets SG 10987 / SG 10990 / recess fix with brackets SG 10989 / SG 10991. Optional installation profile SG 10534. Available with optional stop controller SG 4377 to enable exact stop position of the blind. Assembled with powder coated aluminium bottom weight bar SG 4221 / 10633 / 10634 in white, silver or black finish. Spring to be specified according to weight and characteristics of fabric. Fabric to be chosen from the Silent Gliss fabric range, Price Groups 1-4.

#### SV

Silent Gliss SG 4900 fjädermanövrerat rullgardinsystem. Rullgardinsystem för installationer med max. breddmått 2 m. Levereras komplett i specificerat mått innefattande anodiserat rör SG4227, 32 mm. Takmontage med SG 10987 / SG 10989 / väggmontering med fästen SG 10987 / SG 10990 / infälld montering med fästen SG 10989 / SG 10991. Alternativt med installationsprofil SG 10534. Tillbehör SG 4377 för att bestämma exakt ändläge nertill/upptill. Monterad tyngdprofil i aluminium i finish vitt/alu/svart med SG 4221 / 10633 / 10634). Fjäder anpassas efter vikt och typ av textil. Textil från Silent Gliss textilprogram i prisgrupp 1-4.

#### NO

Silent Gliss SG 4900 Fjærbetjent rullegardinsystem. Rullegardinsystem for maks. bredde på 2 meter. Leveres komplett på spesialmål med anodisert rør integrert, SG4227, 32mm. Takmontering med SG10987 / SG10989 / veggmontering med feste SG 10987 / SG 10990 / innfelt montering med feste SG10989/SG 10990. Alternativt med installasjonsprofil SG 10534. SG 4377 brukes for å justere eksakt endeosisjon oppe/nede. Montert tyngdeprofil i aluminium i finish hvit/alu/svart med SG 4221 / 10633 / 10634. Fjær tilpasset vekt og type av tekstil. Tekstil fra Silent Gliss kolleksjon i prisgruppe 1-4.

#### DA

Silent Gliss SG 4900 fjederstyret rullegardinsystem. Rullegardinsystemer til installationer med op til 2,0 m bredde. Leveres i ønsket længde og samlet. Består af anodiseret aluminiumrør SG 4227, 32 mm. Fastgøres i loftet med beslagene SG 10987 / SG 10989 eller fastgøres i væggen med beslagene SG 10987 / SG 10990. Kan også indfældes med beslagene SG 10989 / SG 10991. Alternativt med installationsprofil SG 10534. Valgfri stopstyring SG 4377 for at bestemme rullegardinets nøjagtige stop-position. Monteret med pulverlakeret tyngdeprofil af aluminium SG 4221 / 10633 / 10634 med hvid, sølv eller sort finish. Fjederen tilpasses efter vægt og type af stoffet. Stoffet vælges fra Silent Gliss stofprogrammet, prisgrupper 1-4.

# FITTING

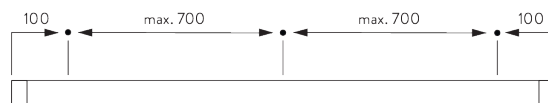
## A. FITTING INFORMATION

### Fixing points

For detailed fitting information, visit the Silent Gliss website.

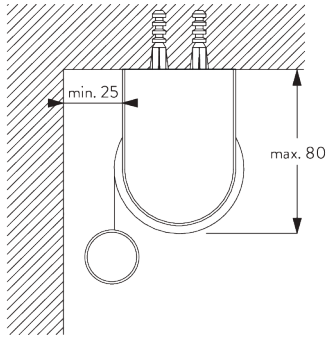


Brackets (wall / ceiling)



Installation profile SG 10534 (wall / ceiling)

## B. CEILING FITTING

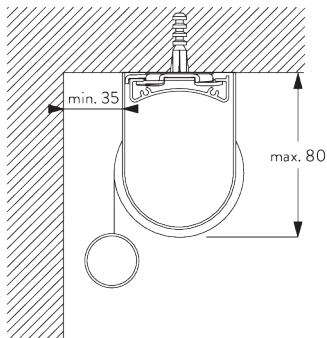


### Brackets

Bracket SG 10989: window rolling side of fabric

Bracket SG 10991: room rolling side of fabric

Bracket SG 10987

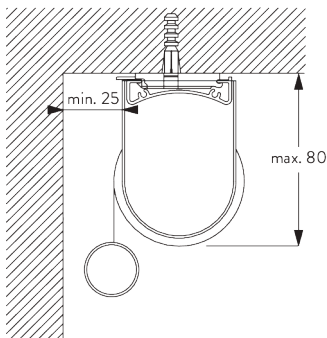


### Installation profile SG 10534 and clamps SG 3033 or SG 3044

Bracket SG 10989: window rolling side of fabric

Bracket SG 10991: room rolling side of fabric

Bracket SG 10987

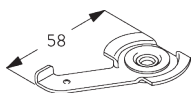


### Installation profile SG 10534 and click bracket SG 10539

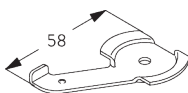
Bracket SG 10989: window rolling side of fabric

Bracket SG 10991: room rolling side of fabric

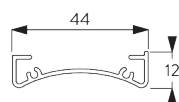
Bracket SG 10987



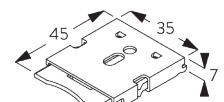
SG 3033  
Clamp



SG 3044  
Clamp

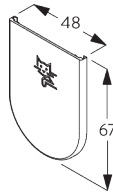


SG 10534  
Installation profile

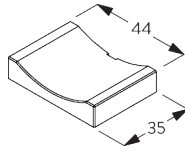


SG 10539  
Bracket

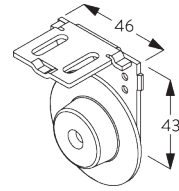




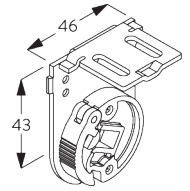
**SG 10574**  
Bracket cover



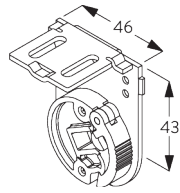
**SG 10575**  
Bracket cover



**SG 10987**  
Bracket

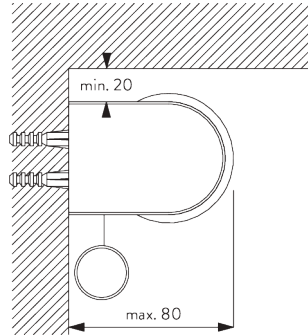


**SG 10989**  
Bracket



**SG 10991**  
Bracket

### C. WALL FITTING

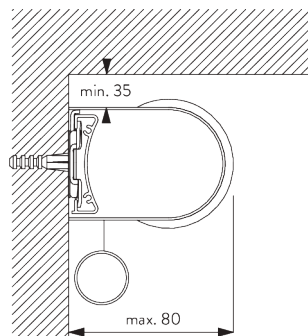


#### **Brackets**

Bracket SG 10990: window rolling side of fabric

Bracket SG 10992: room rolling side of fabric

Bracket SG 10987

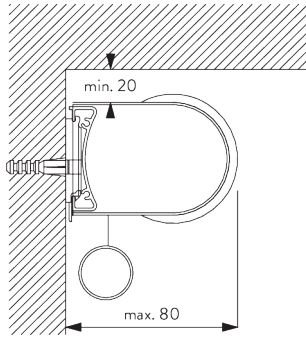


#### **Installation profile SG 10534 and clamps SG 3033 or SG 3044**

Bracket SG 10990: window rolling side of fabric

Bracket SG 10992: room rolling side of fabric

Bracket SG 10987

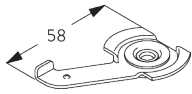


**Installation profile SG 10534 and click bracket SG 10539**

Bracket SG 10990: window rolling side of fabric

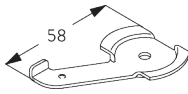
Bracket SG 10992: room rolling side of fabric

Bracket SG 10987



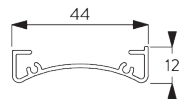
**SG 3033**

Clamp



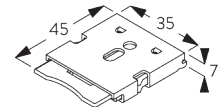
**SG 3044**

Clamp



**SG 10534**

Installation profile



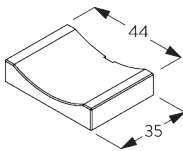
**SG 10539**

Bracket



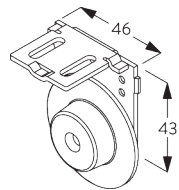
**SG 10574**

Bracket cover



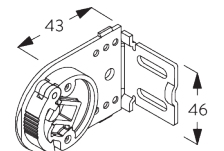
**SG 10575**

Bracket cover



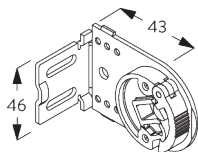
**SG 10987**

Bracket



**SG 10990**

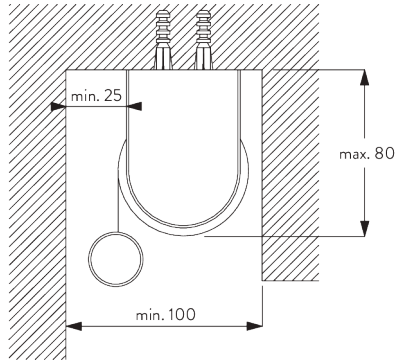
Bracket



**SG 10992**

Bracket

## D. RECESS FITTING

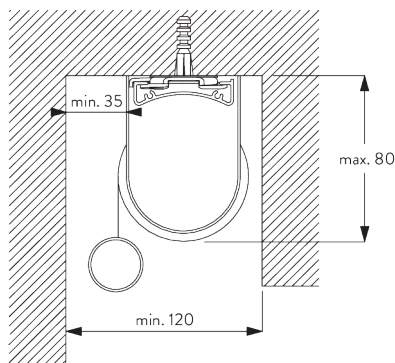


### **Brackets**

*Bracket SG 10989: window rolling side of fabric*

*Bracket SG 10991: room rolling side of fabric*

*Bracket SG 10987*

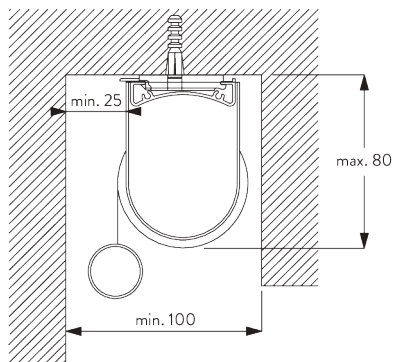


### **Installation profile SG 10534 and clamps SG 3033 or SG 3044**

*Bracket SG 10989: window rolling side of fabric*

*Bracket SG 10991: room rolling side of fabric*

*Bracket SG 10987*

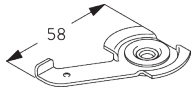


### **Installation profile SG 10534 and click bracket SG 10539**

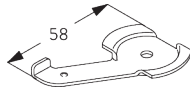
*Bracket SG 10989: window rolling side of fabric*

*Bracket SG 10991: room rolling side of fabric*

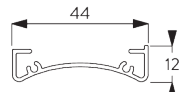
*Bracket SG 10987*



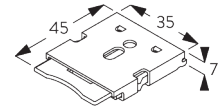
**SG 3033**  
Clamp



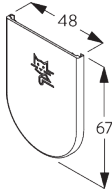
**SG 3044**  
Clamp



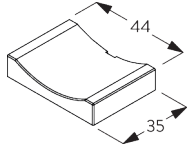
**SG 10534**  
Installation profile



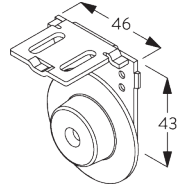
**SG 10539**  
Bracket



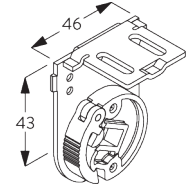
**SG 10574**  
Bracket cover



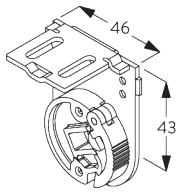
**SG 10575**  
Bracket cover



**SG 10987**  
Bracket



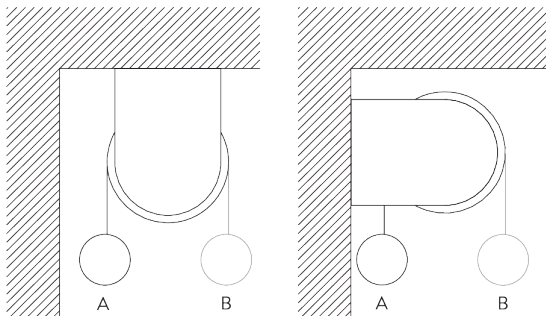
**SG 10989**  
Bracket



**SG 10991**  
Bracket

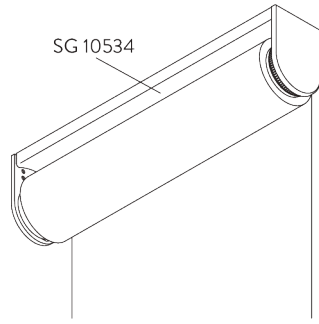
# SYSTEM OPTIONS

## A. FABRIC ROLL-OFF

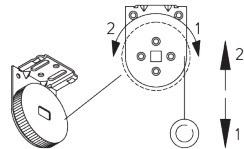


A: Fabric roll-off window side (standard)  
B: Fabric roll-off room side (option)

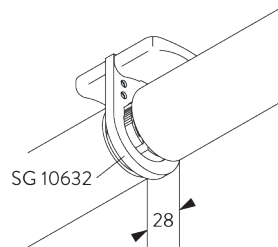
**B. INSTALLATION**  
**PROFILE**



**C. ADJUSTABLE END**  
**STOP**

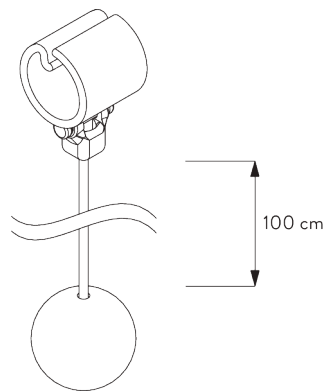


**D. TWO SINGLE**  
**SYSTEMS SIDE-BY-**  
**SIDE**



Additional parts:  
– 1x SG 10632 Connection bracket cover

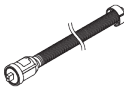
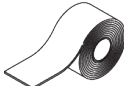
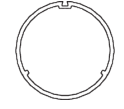
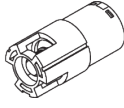
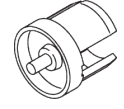

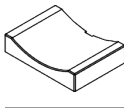
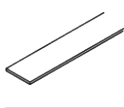
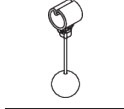


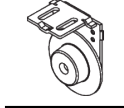

**E. CHILD SAFETY**  
**PULL BALL SET**



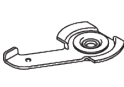
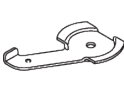
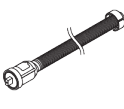
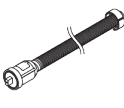
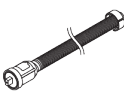
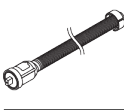
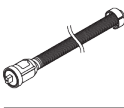
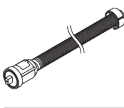
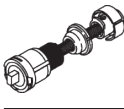
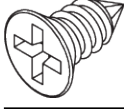

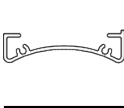
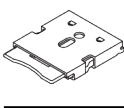

Child safety pull ball set SG 10765

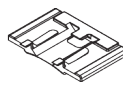


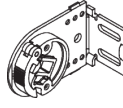

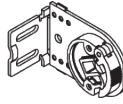
# PARTS

## A. STANDARD PARTS

	<b>SG 4214</b> Spring C 552 mm
	<b>SG 4226</b> Double tape 30 mm
	<b>SG 4227</b> Tube ø 32 mm
	<b>SG 4228</b> Speed controller right
	<b>SG 4231</b> Tube adapter
	<b>SG 10574</b> Bracket cover
	<b>SG 10575</b> Bracket cover
	<b>SG 10668</b> PVC strip 10 mm
	<b>SG 10765</b> Child safety pull ball
	<b>SG 10872</b> Bottom bar
	<b>SG 10874</b> End cover
	<b>SG 10987</b> Bracket
	<b>SG 10989</b> Bracket

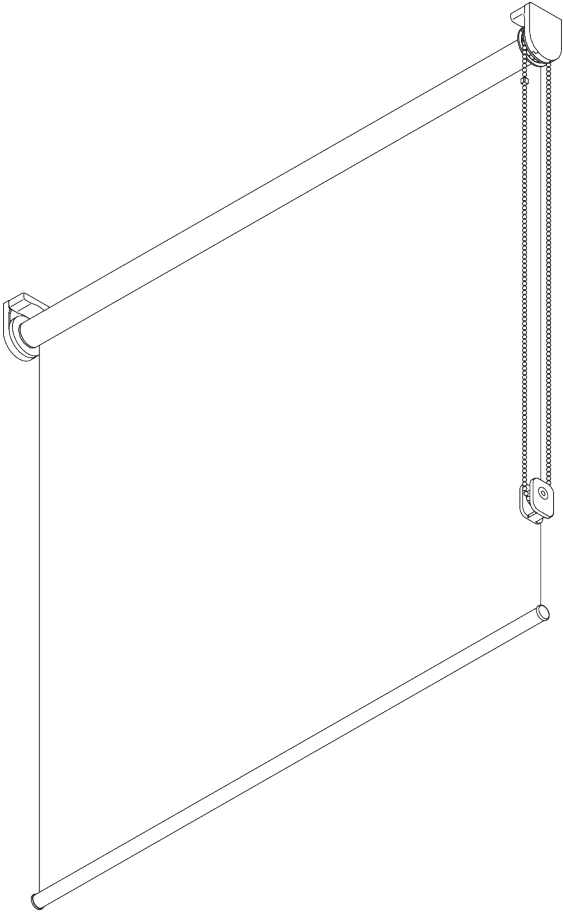
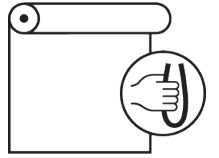
## B. OPTIONAL PARTS

	<b>SG 3033</b> Clamp
	<b>SG 3044</b> Clamp
	<b>SG 4212</b> Spring A 365 mm
	<b>SG 4213</b> Spring B 442 mm
	<b>SG 4215</b> Spring D 612 mm
	<b>SG 4216</b> Spring E 502 mm
	<b>SG 4217</b> Spring F 612 mm
	<b>SG 4218</b> Spring Y-2 198 mm
	<b>SG 4377</b> End stop
	<b>SG 10139</b> Countersunk screw 2.9x6.5
	<b>SG 10498</b> Countersunk screw 2.9x9.5
	<b>SG 10534</b> Installation profile
	<b>SG 10539</b> Bracket
	<b>SG 10632</b> Connection bracket cover

	<b>SG 10690</b> Spacer
	<b>SG 10707</b> End stop
	<b>SG 10988</b> Bracket end stop
	<b>SG 10990</b> Bracket
	<b>SG 10991</b> Bracket
	<b>SG 10992</b> Bracket

# SG 4905

---



## PRODUCT INFORMATION

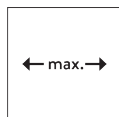
- **Operation:** chain
- **Range:** S
- **Fitting:** ceiling, wall, recess
- **Colours:** 20 colours plus silver
- **Fabrics:** refer to Silent Gliss fabric collection

### **Features:**

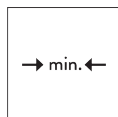
- Stainless steel bead chain
- Click-in brackets

# SYSTEM SPECIFICATIONS

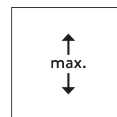
## A. SYSTEM DIMENSIONS



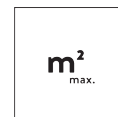
1.6 m



25 cm



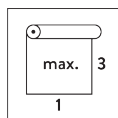
3 m



4.8 m<sup>2</sup>



1.3 kg



Recommended width /  
height ratio  
max. 1:3

## Maximum system drop

Wall fitting (system drop on window side)

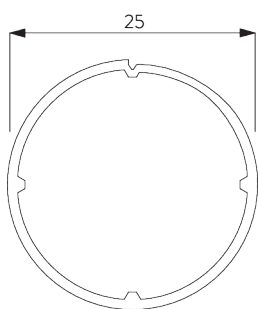
Fabric thickness	mm	0.15	0.20	0.25	0.30	0.35	0.40	0.45	0.50	0.55
Max. system drop	cm	300	300	300	300	290	260	240	210	190

Ceiling fitting / wall fitting (system drop on room side)

Fabric thickness	mm	0.15	0.20	0.25	0.30	0.35	0.40	0.45	0.50	0.55
Max. system drop	cm	300	300	300	300	300	300	290	260	240

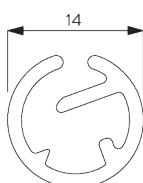
## B. PROFILE

### Profile information



**SG 10533**

Tube ø 25 mm

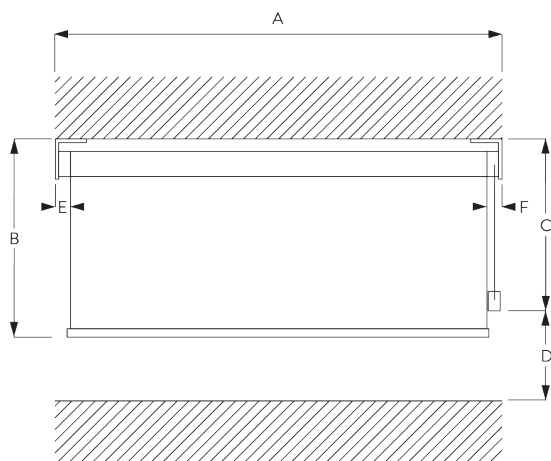


**SG 10687**

Bottom bar



## C. HOW TO MEASURE



- A: System width
- B: System height
- C: Chain height
- D: Safety Retainer SG 10731 min. 150 cm above floor
- E: Light gap: 16 mm
- F: Light gap operation side: 21 mm

## D. SPECIFICATION TEXT

### EN

*Silent Gliss SG 4905 Chain Operated Roller Blind System. Roller blind system for blind applications up to 1.6 m wide. Supplied made to measure and complete comprising anodised aluminium barrel SG 10533. Fixed to wall / ceiling/inside recess with brackets SG 10679 / SG 10680 and bracket covers SG 10683 / SG 10684. Assembled with powder coated aluminium bottom weight bar SG 10687. All parts are supplied colour matched to 27 Colorama colours, or silver. Compliant to Child Safety legislation EN 13120. Fabric to be chosen from the Silent Gliss fabric range Colorama 1 or Colorama 2.*

### SV

*Silent Gliss SG 4905 kedjemanövrerat rullgardinsystem. Rullgardinsystem för installationer upp till 1.6 m bredd. Levereras komplett i specificerat mått innefattande anodiserat rör SG 10533. Vägg/tak och nischmontering med fästen SG 10679 / SG 10680 samt täckplattor SG 10683 / SG 10684. Monterad tyngdprofil i aluminium SG 10687. Alla delar levereras färgmatchade till 27 Colorama färger, alternativt silver. Uppfyller barnsäkerhetsnormen EN 13120. Textil från Silent Gliss textilprogram Colorama 1 eller Colorama 2.*

### NO

*Silent Gliss SG 4905 Kjedefbetjent rullegardinsystem. Rullegardinsystem for maks. bredde på 1,6 meter. Leveres komplett på spesialmål med anodisert rør integrert, SG 10533. Tak-,vegg- og nischmontering med feste SG 10679 / SG10680 og deksel SG10683 / SG10684. Monteret med tyngdeprofil i aluminium SG 10687. Alle deler leveres i matchene farger, tilpasset 27 Colorama-farger, alternativt sølv. Oppfyller barnesikkerhetsnormen EN 13120. Tekstil fra Silent Gliss kolleksjon Colorama 1 eller Colorama 2.*

### DA

*Silent Gliss SG 4905 gardinskinnesystem med kædestyring. Rullegardinsystemer til installationer med op til 1,6 m i bredden. Leveres i ønsket længde og samlet. Består af anodiseret aluminiumrør SG 10533. Fastgøres i væggen / loftet / indfældes med beslagene SG 10679 / SG 10680 og beslagafdækningerne SG 10683 / SG 10684. Monteret med pulverlakeret tyngdeprofil af aluminium SG 10687. Alle dele leveres i matchende farver efter 27 Colorama-farver eller sølv. Overholder lovgivning om barnesikkerhed efter EN 13120. Stoffet vælges fra Silent Gliss stofprogrammet, Colorama 1 eller Colorama 2.*

# FITTING

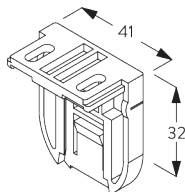
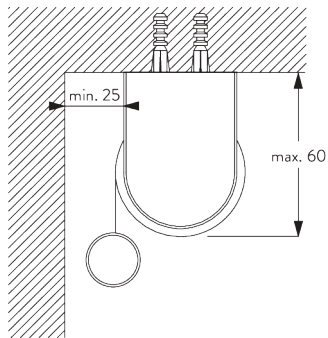
## A. FITTING INFORMATION

For detailed fitting information, visit the Silent Gliss website, login section.

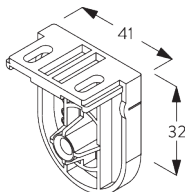
### Fixing points



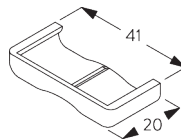
## B. CEILING FITTING



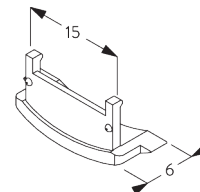
**SG 10679**  
Bracket



**SG 10680**  
Bracket

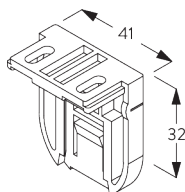
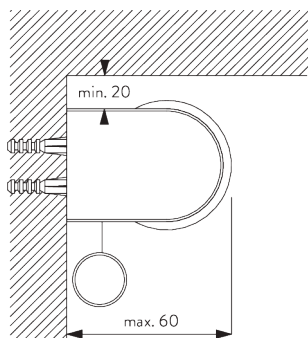


**SG 10683**  
Bracket cover

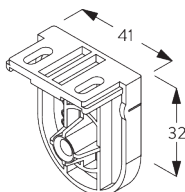


**SG 10684**  
Cover

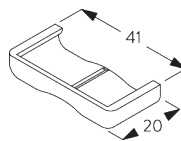
## C. WALL FITTING



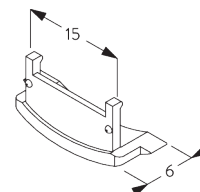
**SG 10679**  
Bracket



**SG 10680**  
Bracket

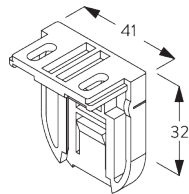
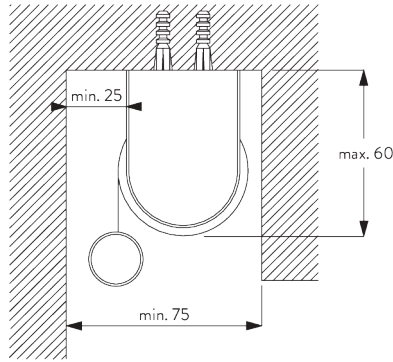


**SG 10683**  
Bracket cover

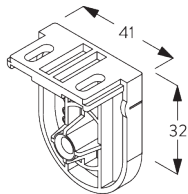


**SG 10684**  
Cover

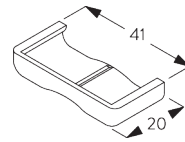
**D. RECESS FITTING**



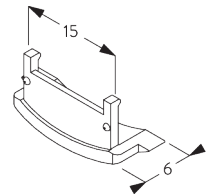
**SG 10679**  
Bracket



**SG 10680**  
Bracket

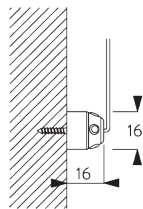
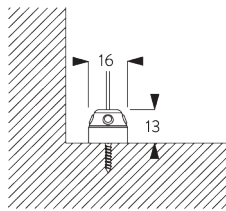


**SG 10683**  
Bracket cover

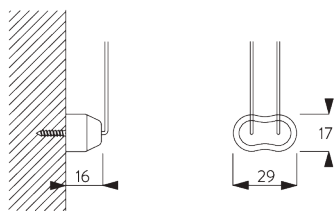
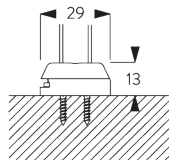


**SG 10684**  
Cover

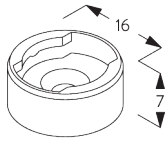
**E. FITTING WITH  
SIDE GUIDE  
OPTION**



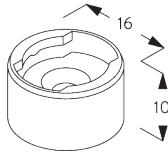
**Single system**



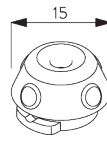
**Double system (side-by-side installation)**



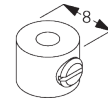
**SG 8235**  
Side guide wire base short



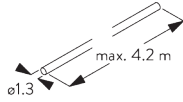
**SG 8236**  
Side guide wire base long



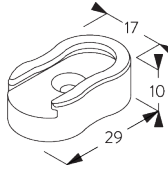
**SG 8237**  
Side guide wire holder



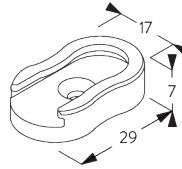
**SG 8249**  
Side guide device



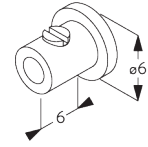
**SG 10643**  
Side guide wire  $\varnothing$  1.3 mm x 4.2 m



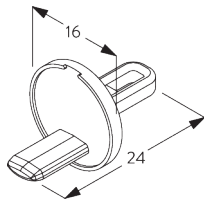
**SG 10669**  
Side guide double base long



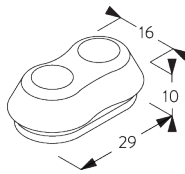
**SG 10673**  
Side guide double base short



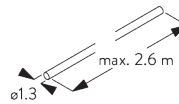
**SG 10676**  
Device



**SG 10686**  
Side guide end cover



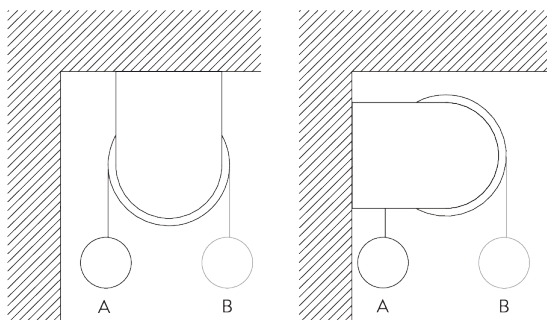
**SG 10701**  
Side guide double wire holder



**SG 10706**  
Side guide wire  $\varnothing$  1.3 mm x 2.6 m

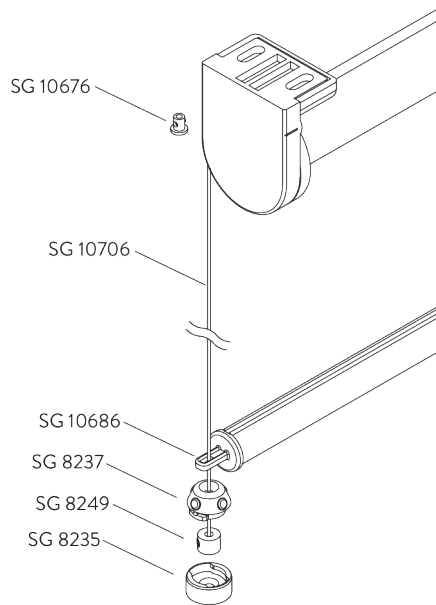
## SYSTEM OPTIONS

### A. FABRIC ROLL-OFF



A: Fabric roll-off window side (standard)  
B: Fabric roll-off room side (option)

## **B. SIDE GUIDES**



### *Additional parts:*

- 2x SG 8235 Side guide wire base short
- 2x SG 8237 Side guide wire holder
- 2x SG 8249 Side guide device
- 2x SG 10676 Device
- 2x SG 10686 Side guide end cover
- 2x SG 10706 Side guide wire  $\varnothing$  1.3 mm x 2.6 m

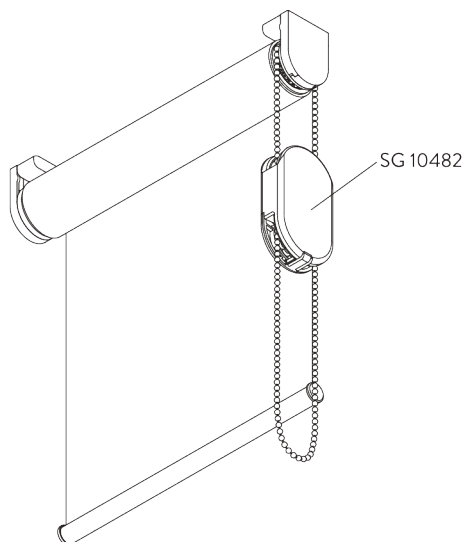
### *Optional parts:*

- 2x SG 8236 Side guide wire base long
- 2x SG 10643 Side guide wire  $\varnothing$  1.3 mm x 4.2 m
- 1x SG 10669 Side guide double base long
- 1x SG 10673 Side guide double base short
- 1x SG 10701 Side guide double wire holder

### *Note:*

- Light gaps increase when side-guide option is used
- Up to 15° from vertical

## **C. CHILD SAFETY DEVICE**



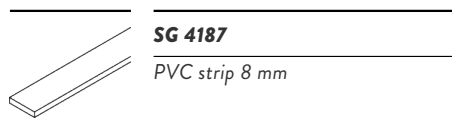
*The child safety device SG 10482 releases the chain should the pulling force exceed 6 kg.*

### *Note:*

*System to be installed so chain loop of child safety device ends at least 60 cm above floor.*

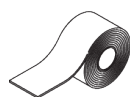
# PARTS

## A. STANDARD PARTS



**SG 4187**

PVC strip 8 mm



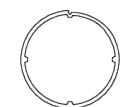
**SG 4226**

Double tape 30 mm



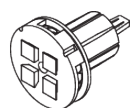
**SG 10530**

Bead chain metal ø 4 mm



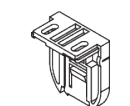
**SG 10533**

Tube ø 25 mm



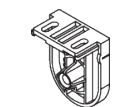
**SG 10670**

Chain drive, up to 1.3 kg fabric weight



**SG 10679**

Bracket



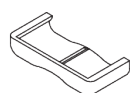
**SG 10680**

Bracket



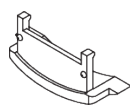
**SG 10681**

Tube adapter



**SG 10683**

Bracket cover



**SG 10684**

Cover



**SG 10685**

End cover



**SG 10687**

Bottom bar



**SG 10709**

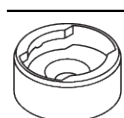
Chain stop for ø 4 mm chain



**SG 10731**

Child safety retainer set

## B. OPTIONAL PARTS



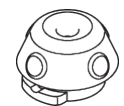
**SG 8235**

Side guide wire base short



**SG 8236**

Side guide wire base long



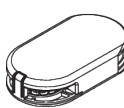
**SG 8237**

Side guide wire holder



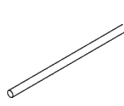
**SG 8249**

Side guide device



**SG 10482**

Child safety device set metal chain ø 4.0 mm



**SG 10643**

Side guide wire ø 1.3 mm x 4.2 m



**SG 10669**

Side guide double base long



**SG 10673**

Side guide double base short



**SG 10676**

Device



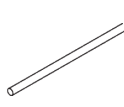
**SG 10686**

Side guide end cover



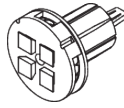
**SG 10701**

Side guide double wire holder



**SG 10706**

Side guide wire ø 1.3 mm x 2.6 m

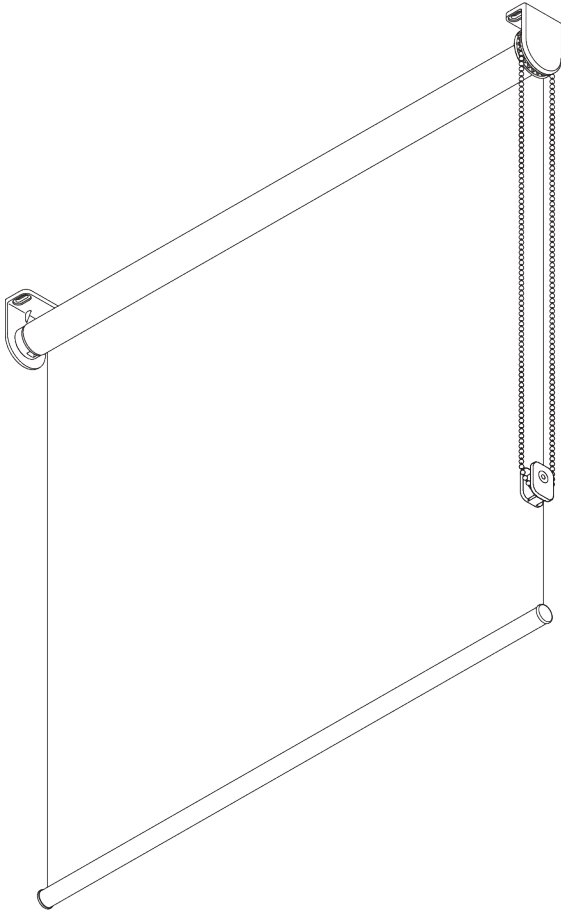
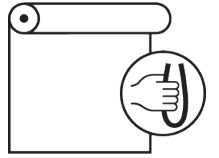


**SG 10710**

Chain drive, up to 0.5 kg fabric weight

# SG 4907

---



## PRODUCT INFORMATION

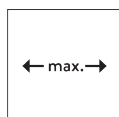
- **Operation:** chain
- **Range:** S
- **Fitting:** ceiling, wall, recess
- **Colours:** white RAL 9016 or grey RAL 7035, special colours possible
- **Fabrics:** refer to Silent Gliss fabric collection

### **Features:**

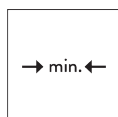
- Stainless steel bead chain
- Identical (left / right) metal click-in brackets
- Installation profile

# SYSTEM SPECIFICATIONS

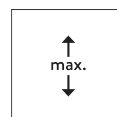
## A. SYSTEM DIMENSIONS



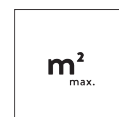
1.8 m



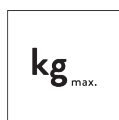
50 cm



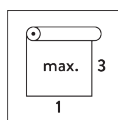
2.8 m



5 m<sup>2</sup>



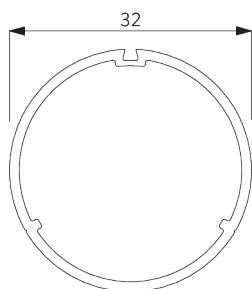
2.5 kg



Recommended width /  
height ratio  
max. 1:3

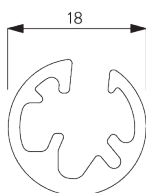
## B. PROFILE

Profile information



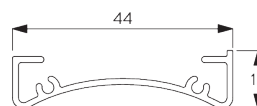
**SG 4227**

Tube ø 32 mm



**SG 10872**

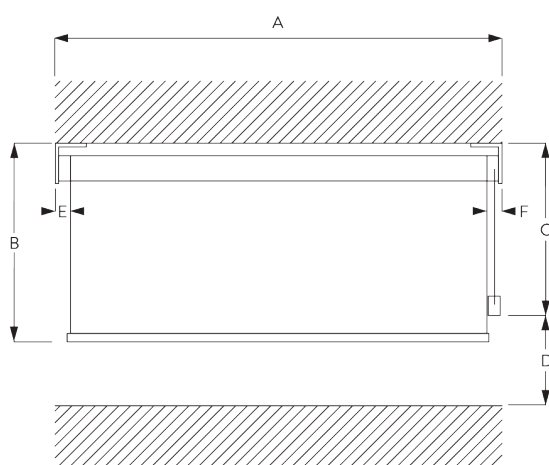
Bottom bar



**SG 10534**

Installation profile

## C. HOW TO MEASURE



- A: System width
- B: System height
- C: Chain height
- D: Safety Retainer SG 10731 min. 150 cm above floor
- E: Light gap: 17 mm
- F: Light gap operation side: 17 mm



## D. SPECIFICATION

### TEXT

#### EN

Silent Gliss SG 4907 Chain Operated Roller Blind System. Roller blind system for blind applications up to 1.8 m wide. Supplied made to measure and complete comprising anodised aluminium barrel SG 4227. Fixed to wall / ceiling/inside recess with brackets SG 10873. Assembled with powder coated aluminium bottom weight bar SG 10872 in white / grey. Compliant to Child Safety legislation EN 13120. Fabric to be chosen from the Silent Gliss fabric range Basic Screen.

#### SV

Silent Gliss SG 4907 kedjemanövrerat rullgardinsystem. Rullgardinsystem för installationer upp till 1.8 m bredd. Levereras komplett i specificerat mått innefattande anodiserat rör SG 4227. Vägg/tak och nischmontering med fästena SG 10873. Monterad tyngdprofil i aluminium SG 10872 i vitt eller grått. Uppfyller barnsäkerhetsnormen EN 13120. Textil från Silent Gliss textilprogram Basic Screen.

#### NO

Silent Gliss SG 4907 Kjedefbetjent rullegardinsystem. Rullegardinsystem for maks. bredde på 1,8 meter. Leveres komplett på spesialmåll med anodisert rør integrert, SG 4227. Tak-,vegg- og nisjemontering med feste SG 10873. Montert tyngdeprofil i pulverlakkert aluminium SG 10872 i hvit eller grå. Oppfyller barnesikkerhetsnormen EN13120. Tekstil fra Silent Gliss kolleksjon Basic Screen.

#### DA

Silent Gliss SG 4907 gardinskinnesystem med kædestyring. Rullegardinsystemer til installationer med op til 1,8 m i bredden. Leveres i ønsket længde og samlet. Består af anodiseret aluminiumrør SG 4227. Fastgøres i væggen / loftet / indfældes med beslagene SG 10873. Monteret med pulverlakeret tyngdeprofil af aluminium SG 10872 i hvidt/gråt. Overholder lovgivning om børnesikkerhed efter EN 13120. Stoffet vælges fra Silent Gliss stofprogrammet Basic Screen.

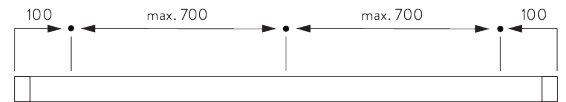
# FITTING

## A. FITTING INFORMATION

### Fixing points



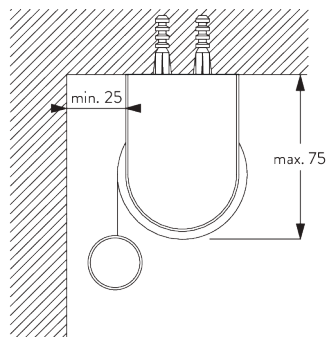
Brackets (wall / ceiling)



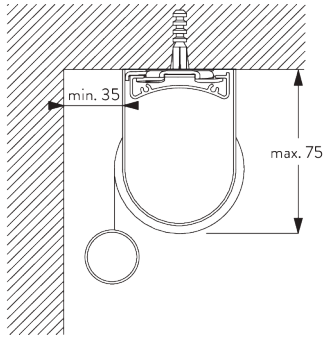
Installation profile SG 10534 (wall / ceiling)

For detailed fitting information, visit the [Silent Gliss website](#).

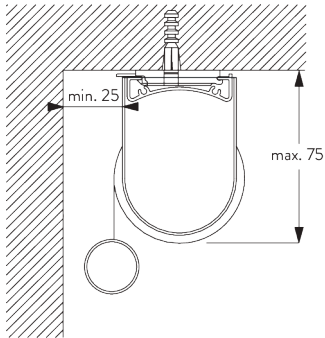
## B. CEILING FITTING



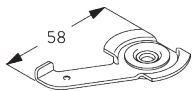
Brackets SG 10873



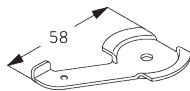
**Installation profile SG 10534, brackets SG 1198 and clamps SG 3033 or SG 3044**



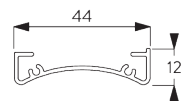
**Installation profile SG 10534, brackets SG 1198 and click bracket SG 10539**



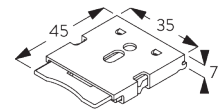
**SG 3033**  
Clamp



**SG 3044**  
Clamp



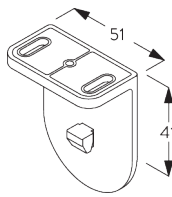
**SG 10534**  
Installation profile



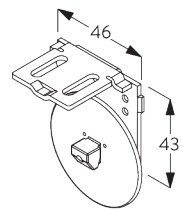
**SG 10539**  
Bracket



**SG 10574**  
Bracket cover

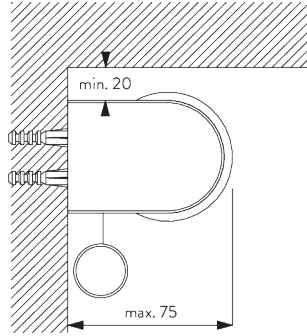


**SG 10873**  
Bracket

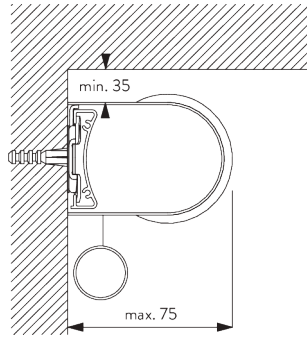


**SG 1198**  
Bracket

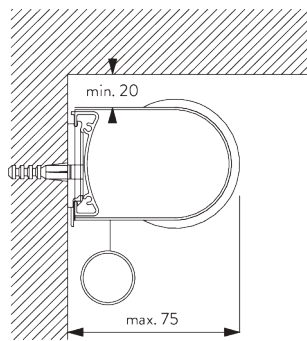
**C. WALL FITTING**



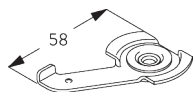
**Brackets SG 10873**



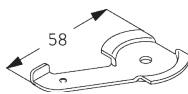
**Installation profile SG 10534, brackets SG 11198 and clamps SG 3033 or SG 3044**



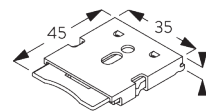
**Installation profile SG 10534, brackets SG 11198 and click bracket SG 10539**



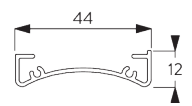
**SG 3033**  
Clamp



**SG 3044**  
Clamp



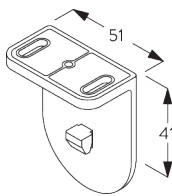
**SG 10539**  
Bracket



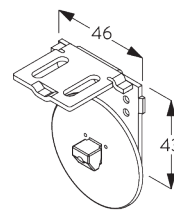
**SG 10534**  
Installation profile



**SG 10574**  
Bracket cover

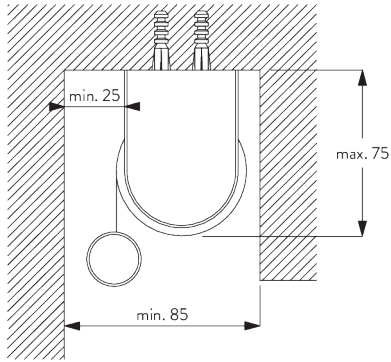


**SG 10873**  
Bracket

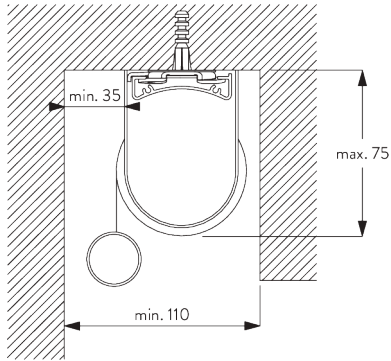


**SG 11198**  
Bracket

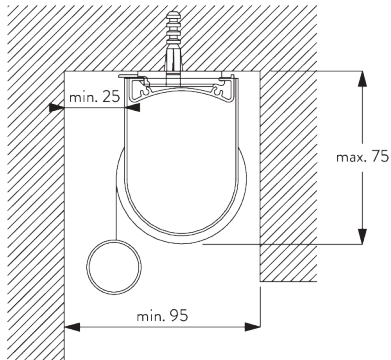
**D. RECESS FITTING**



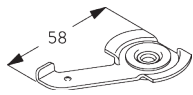
**Brackets SG 10873**



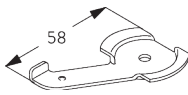
**Installation profile SG 10534, brackets SG 11198 and clamps SG 3033 or SG 3044**



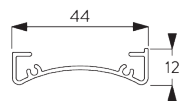
**Installation profile SG 10534, brackets SG 11198 and click bracket SG 10539**



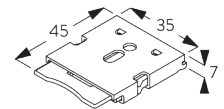
**SG 3033**  
Clamp



**SG 3044**  
Clamp



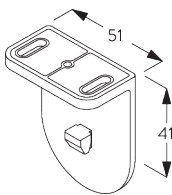
**SG 10534**  
Installation profile



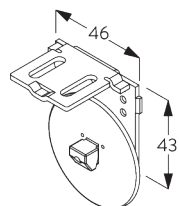
**SG 10539**  
Bracket



**SG 10574**  
Bracket cover



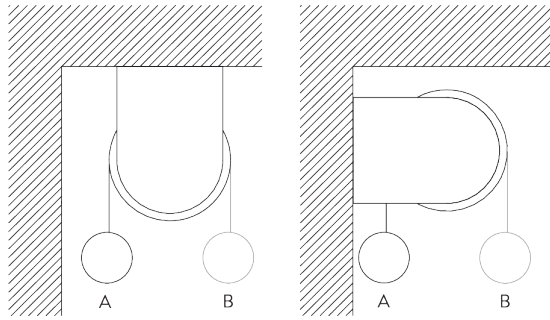
**SG 10873**  
Bracket



**SG 11198**  
Bracket

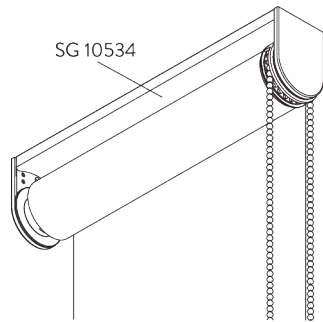
# SYSTEM OPTIONS

## A. FABRIC ROLL-OFF



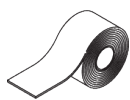
A: Fabric roll-off window side (standard)  
B: Fabric roll-off room side (option)

## B. INSTALLATION PROFILE



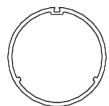
# PARTS

## A. STANDARD PARTS



**SG 4226**

Double tape 30 mm



**SG 4227**

Tube ø 32 mm



**SG 4234**

PVC strip 12 mm



**SG 4845**

Bead chain metal ø 4.5 mm



**SG 10731**

Child safety retainer set



**SG 10872**

Bottom bar



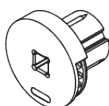
**SG 10873**

Bracket



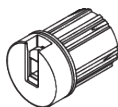
**SG 10874**

End cover



**SG 10880**

Chain drive



**SG 10885**

Tube adapter

## B. OPTIONAL PARTS



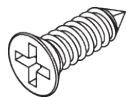
**SG 3033**

Clamp



**SG 3044**

Clamp



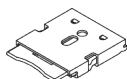
**SG 10498**

Countersunk screw 2.9x9.5



**SG 10534**

Installation profile



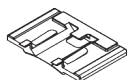
**SG 10539**

Bracket



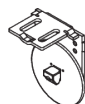
**SG 10574**

Bracket cover



**SG 10690**

Spacer

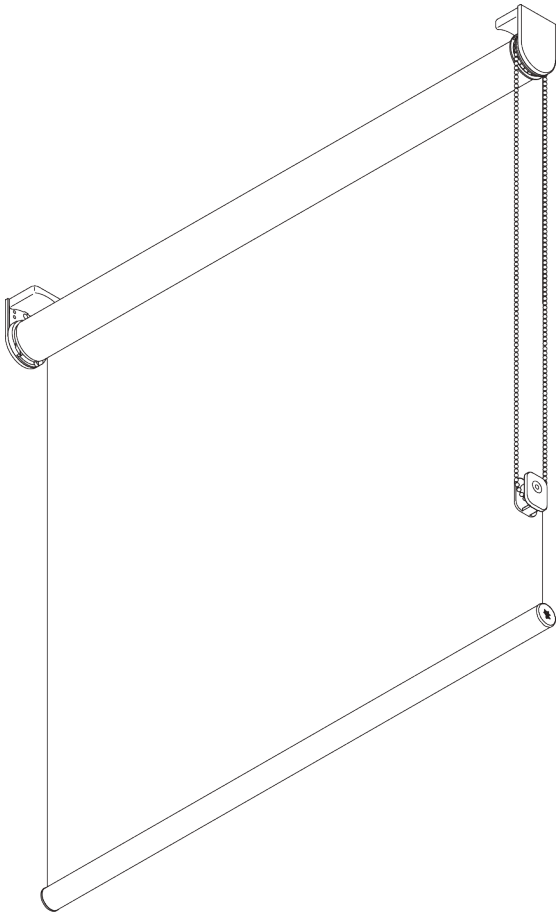
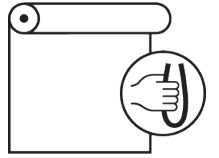


**SG 11198**

Bracket

# SG 4910

---



## PRODUCT INFORMATION

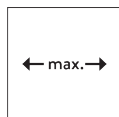
- **Operation:** chain
- **Range:** S - M
- **Fitting:** ceiling, wall, recess
- **Colours:** white RAL 9016, grey RAL 7035, black RAL 9005; special colours possible
- **Fabrics:** refer to Silent Gliss fabric collection

### **Features:**

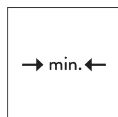
- Spring supported, effortless operation
- 1-to-1 gear drive
- Stainless steel bead chain
- Click-in brackets, Fascia, box, installation profile
- End stop controller

# SYSTEM SPECIFICATIONS

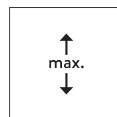
## A. SYSTEM DIMENSIONS



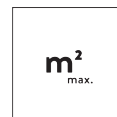
2.4 m



25 cm\*,  
Fascia / Box: 60 cm  
\*25 - 60 cm only with  
installation profile  
SG 10534



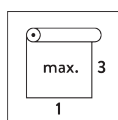
3 m



7.2 m<sup>2</sup>



3 kg



Recommended width /  
height ratio  
max. 1:3

## Maximum system drop

Wall fitting (system drop on window side):

Fabric thickness	mm	0.15	0.20	0.25	0.30	0.35	0.40	0.45	0.50	0.55	0.60	0.65	0.70	0.75	0.80
Max. system drop	cm	300	300	300	300	300	300	300	300	300	290	270	250	230	220

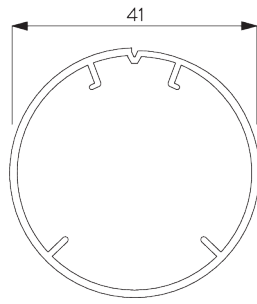
Ceiling fitting / wall fitting (system drop on room side):

Fabric thickness	mm	0.15	0.20	0.25	0.30	0.35	0.40	0.45	0.50	0.55	0.60	0.65	0.70	0.75	0.80
Max. system drop	cm	300	300	300	300	300	300	300	300	300	300	300	300	300	280

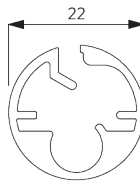


## B. PROFILE

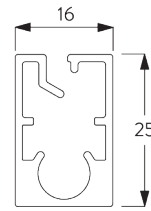
### Profile information



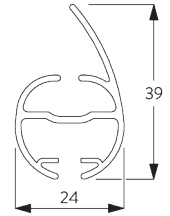
**SG 10531**  
Tube ø 41 mm



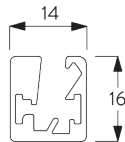
**SG 10760**  
Bottom bar



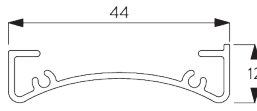
**SG 10770**  
Bottom bar



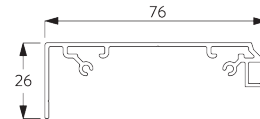
**SG 4903**  
Bottom bar



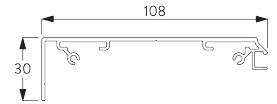
**SG 11442**  
Bottom bar



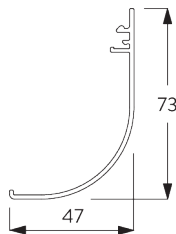
**SG 10534**  
Installation profile



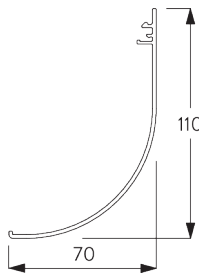
**SG 11430**  
Installation profile fascia 73 mm



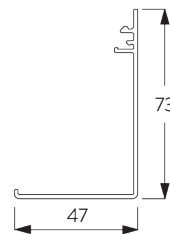
**SG 11530**  
Installation profile fascia 110 mm



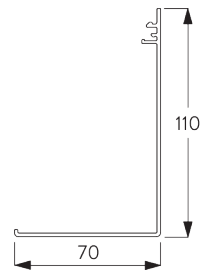
**SG 11431**  
Fascia round 73 mm



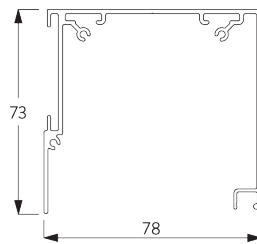
**SG 11531**  
Fascia round 110 mm



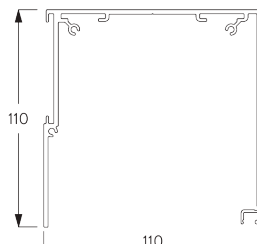
**SG 11432**  
Fascia square 73 mm



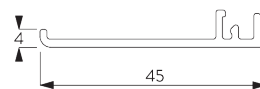
**SG 11532**  
Fascia square 110 mm



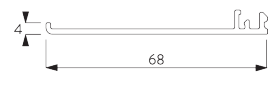
**SG 11433**  
Box case 73 mm



**SG 11533**  
Box case 110 mm



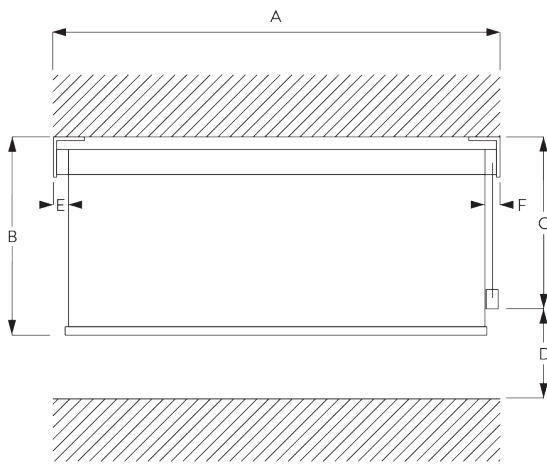
**SG 11434**  
Box cover 73 mm



**SG 11534**  
Box cover 110 mm

**C. HOW TO  
MEASURE**

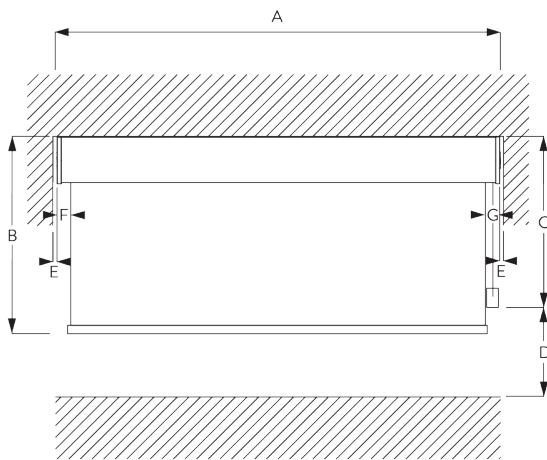
*incl. bracket covers*



- A: System width
- B: System height
- C: Chain height
- D: Safety Retainer SG 10731 min. 150 cm above floor
- E: Light gap: 13 mm
- F: Light gap operation side: 18 mm

Note:  
All measurements include 2 mm for bracket cover per side!

**Fascia / Box**



- A: System width
- B: System height
- C: Chain height
- D: Safety Retainer SG 10731 min. 150 cm above floor
- E: Gap: min. 10 mm (when cover is used)
- F: Light gap: 15 mm
- G: Light gap operation side: 21 mm

## D. SPECIFICATION

### TEXT

#### EN

Silent Gliss SG 4910 Chain Operated Roller Blind System. Roller blind system for blind applications up to 2.4 m wide. Supplied made to measure and complete comprising anodised aluminium barrel SG 10531 with counterbalancing spring and gear set ensuring light, precise movement. Fixed to wall / ceiling/inside recess with brackets SG 10542 / SG 10543 and bracket covers SG 10574 / SG 10575. Optional installation profile SG 10534. Assembled with powder coated white, alu or black finish aluminium bottom weight bar SG 4221/10633/10634. Optional adjustable end stop SG 10559 / SG 10560 allows upper or lower stop limit setting. Compliant to Child Safety legislation EN 13120. Fabric to be chosen from the Silent Gliss fabric range, Price Group 1-4.

#### SV

Silent Gliss SG 4910 kedjemanövrerat rullgardinsystem. Rullgardinsystem för installationer upp till 2.4 m bredd. Levereras komplett i specificerat mått innefattande anodiserat rör SG 10531, 41 mm, med avancerad lyftfjäder och utväxling för att garantera lätt och steglös upp- och nerrullning. Vägg/tak och nischmontering med fästen SG 10542 / SG 10543 samt täckplattor SG 10574 / SG 10575. Alternativt med installationsprofil SG 10534. Monterad tyngdprofil i pulverlackerad aluminium i finish vitt/alu/svart med SG 4221/10633/10634). Som tillbehör justerbart ändstopp SG 10559 / SG 10560 som tillåter en övre eller nedre exakt stopposition. Uppfyller barnsäkerhetsnormen EN 13120. Textil från Silent Gliss textilprogram i prisgrupp 1-4.

#### NO

Silent Gliss SG 4910 Kjedefbetjent rullegardinsystem. Rullegardinsystem for maks. bredde på 2,4 meter. Leveres komplett på spesialmåll med anodisert rør integrert, SG10531,41mm, med en avansert integrert motvektsfjær og et girsett for å garantere lett og presis bevegelse ved opp- og nedrulling. Tak-,vegg- og nisjemontering med feste SG10542 /SG10543 og deksel SG10574 / SG10575. Tilvalg med monteringsprofil SG 10534. Monteret tyngdeprofil i pulverlakkert aluminium i hvit/alu/svart med SG 4221/10633/10634. Endestopp SG 10559 /SG10560 er tilbehør som kan sette en eksakt posisjon oppe og nede. Oppfyller barnesikkerhetsnormen EN13120. Tekstil fra Silent Gliss kolleksjon i prisgruppe 1-4.

#### DA

Silent Gliss SG 4910 gardinskinnesystem med kædestyring. Rullegardinsystemer til installationer med op til 2,4 m i bredden. Leveres samlet i ønsket længde, bestående af anodiseret aluminiumrør SG 10531 med modbalancerende sæt af fjeder og hjul, der sørger for lette, præcise bevægelser. Fastgøres i væggen / loftet / indfældes med beslagene SG 10542 / SG 10543 og beslagafdækningerne SG 10574 / SG 10575. Alternativt med installationsprofil SG 10534. Samlet med pulverlakeret hvid, aluminium eller sort finish tyngdeprofil af aluminium SG 4221/10633/10634. Valgfrit justerbart endestop SG 10559 / SG 10560 gør det muligt at indstille en øvre eller nedre stopgrænse. Overholder lovgivning om barnesikkerhed efter EN 13120. Stoffet vælges fra Silent Gliss stofprogrammet, prisgruppe 1-4

# FITTING

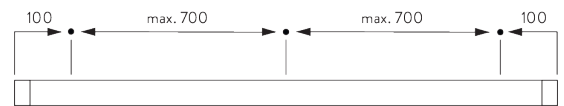
## A. FITTING INFORMATION

### Fixing points

For detailed fitting information, visit the Silent Gliss website.

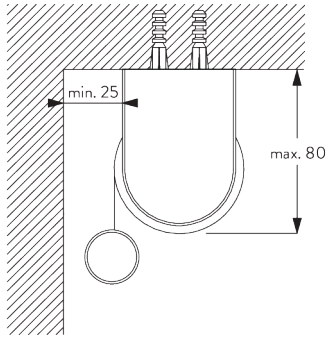


Brackets (wall / ceiling)

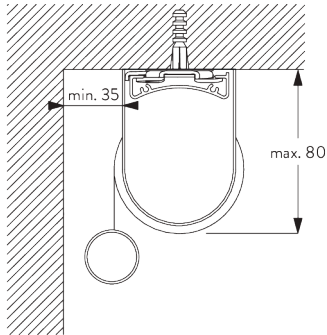


Fascia / box & installation profile SG 10534 (wall / ceiling)

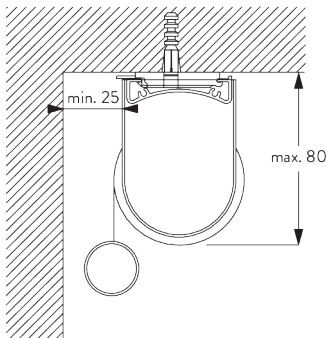
## **B. CEILING FITTING**



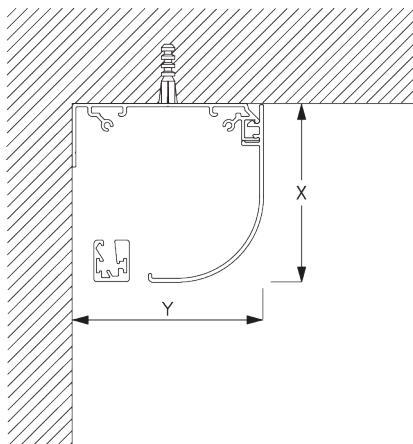
**Brackets**



**Installation profile SG 10534 and clamps SG 3033 or SG 3044**



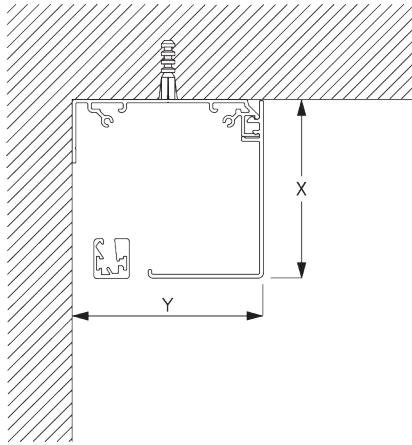
**Installation profile SG 10534 and click bracket SG 10539**



**Fascia round**

X = Fascia S 73 mm / Fascia L 110 mm

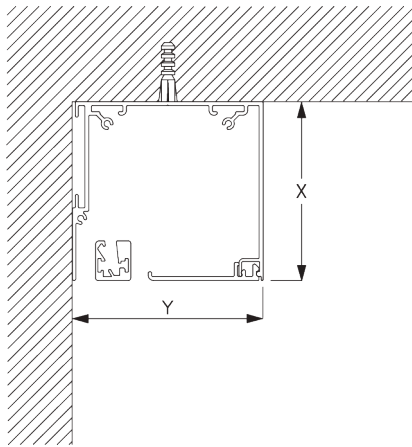
Y = Fascia S 78 mm / Fascia L 110 mm



**Fascia square**

X = Fascia S 73 mm / Fascia L 110 mm

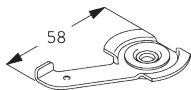
Y = Fascia S 78 mm / Fascia L 110 mm



**Box**

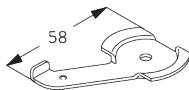
X = Box S 73 mm / Box L 110 mm

Y = Box S 78 mm / Box L 110 mm



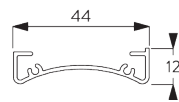
**SG 3033**

Clamp



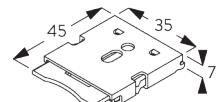
**SG 3044**

Clamp



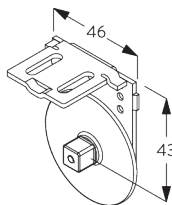
**SG 10534**

Installation profile



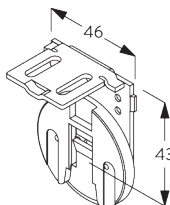
**SG 10539**

Bracket



**SG 10542**

Bracket



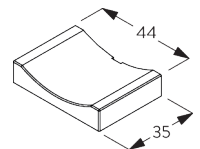
**SG 10543**

Bracket



**SG 10574**

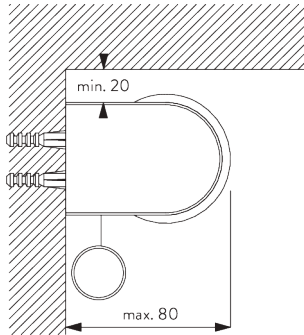
Bracket cover



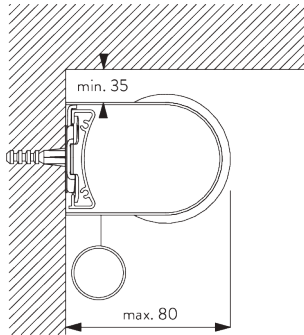
**SG 10575**

Bracket cover

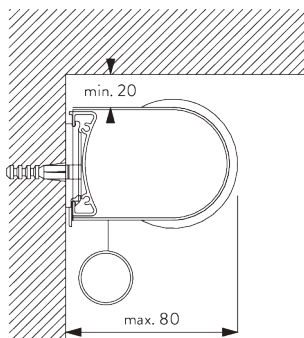
## C. WALL FITTING



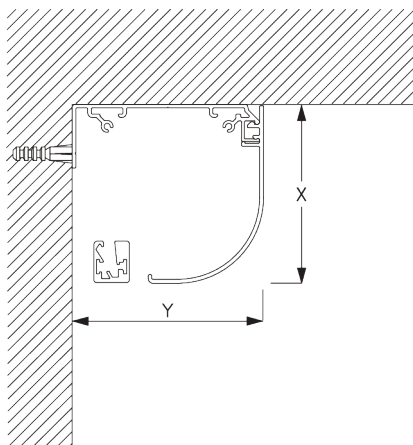
**Brackets**



**Installation profile SG 10534 and clamps SG 3033 or SG 3044**



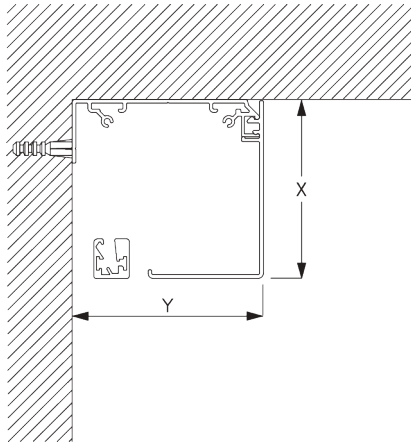
**Installation profile SG 10534 and click bracket SG 10539**



**Fascia round**

X = Fascia S 73 mm / Fascia L 110 mm

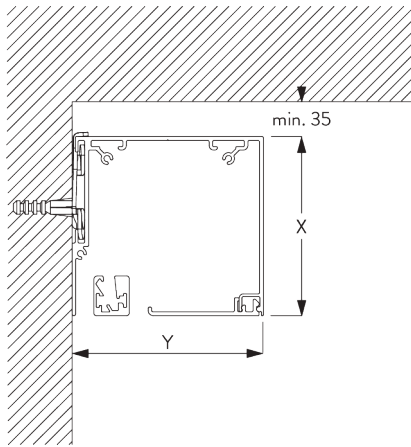
Y = Fascia S 78 mm / Fascia L 110 mm



**Fascia square**

X = Fascia S 73 mm / Fascia L 110 mm

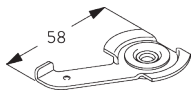
Y = Fascia S 78 mm / Fascia L 110 mm



**Box S and clamp SG 3044 / Box L and clamp SG 1180**

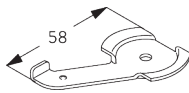
X = Box S 73 mm / Box L 110 mm

Y = Box S 78 mm / Box L 110 mm



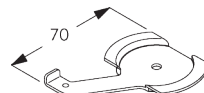
**SG 3033**

Clamp



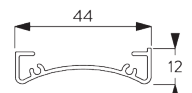
**SG 3044**

Clamp



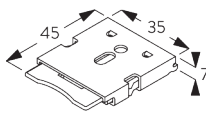
**SG 1180**

Clamp



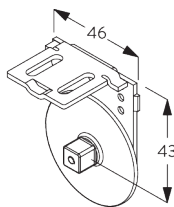
**SG 10534**

Installation profile



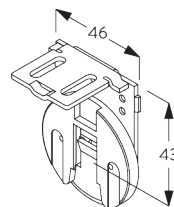
**SG 10539**

Bracket



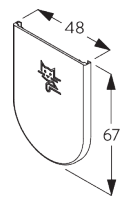
**SG 10542**

Bracket



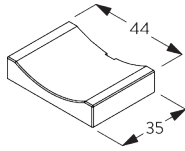
**SG 10543**

Bracket



**SG 10574**

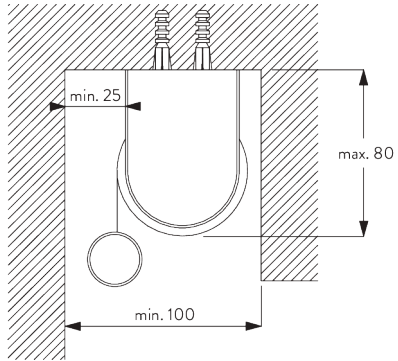
Bracket cover



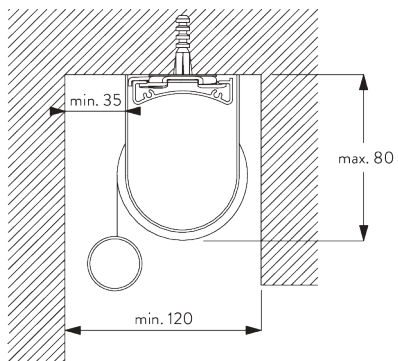
**SG 10575**

Bracket cover

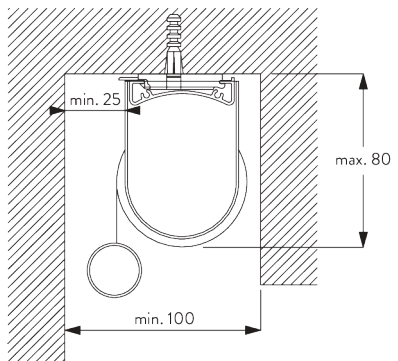
**D. RECESS FITTING**



**Brackets**

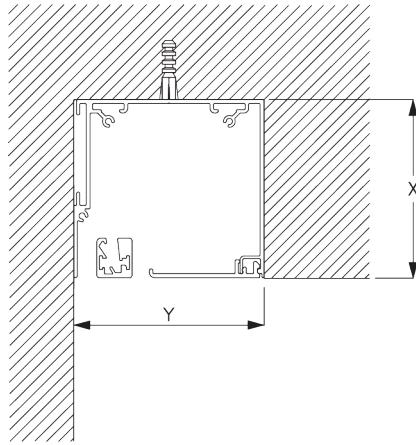


**Installation profile SG 10534 and clamps SG 3033 or SG 3044**



**Installation profile SG 10534 and click bracket SG 10539**

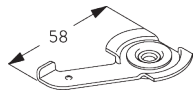




**Box**

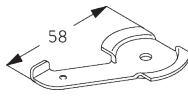
X = Box S 73 mm / Box L 110 mm

Y = Box S min. 79 mm / Box L min. 111 mm



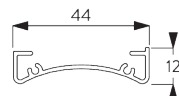
**SG 3033**

Clamp



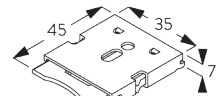
**SG 3044**

Clamp



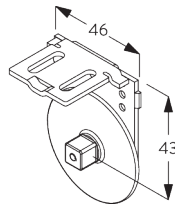
**SG 10534**

Installation profile



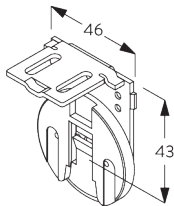
**SG 10539**

Bracket



**SG 10542**

Bracket



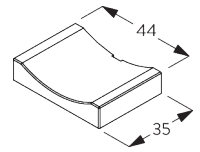
**SG 10543**

Bracket



**SG 10574**

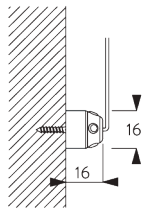
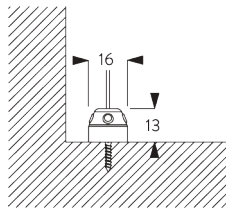
Bracket cover



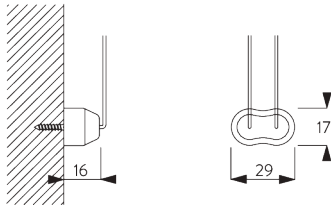
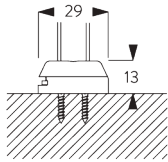
**SG 10575**

Bracket cover

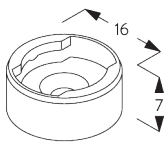
**E. FITTING WITH  
SIDE GUIDE  
OPTION**



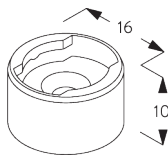
**Single system**



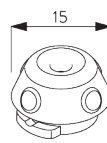
**Double system (side-by-side installation)**



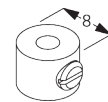
**SG 8235**  
Side guide wire base short



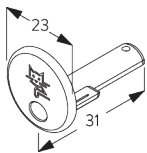
**SG 8236**  
Side guide wire base long



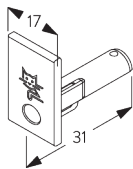
**SG 8237**  
Side guide wire holder



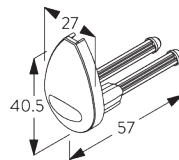
**SG 8249**  
Side guide device



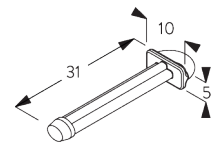
**SG 10762**  
Side guide end cover



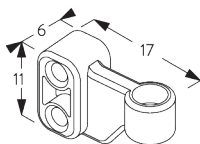
**SG 10772**  
Side guide end cover



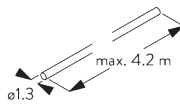
**SG 4944**  
Side guide end cover



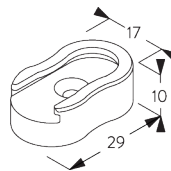
**SG 10641**  
Side guide eyelet



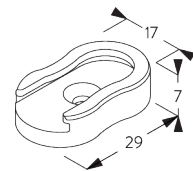
**SG 10642**  
Side guide wire holder



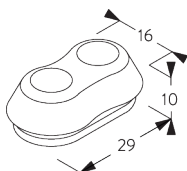
**SG 10643**  
Side guide wire  $\varnothing$  1.3 mm x 4.2 m



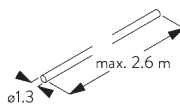
**SG 10669**  
Side guide double base long



**SG 10673**  
Side guide double base short



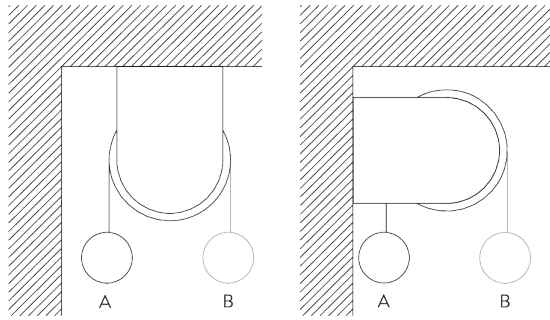
**SG 10701**  
Side guide double wire holder



**SG 10706**  
Side guide wire  $\varnothing$  1.3 mm x 2.6 m

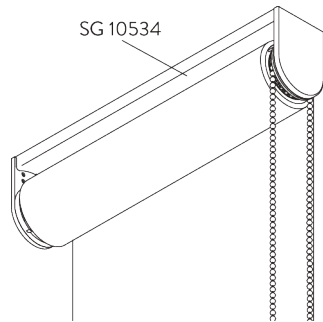
# SYSTEM OPTIONS

## A. FABRIC ROLL-OFF

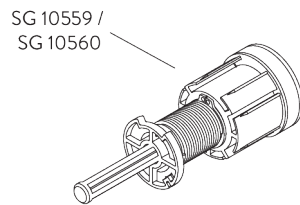


A: Fabric roll-off window side (standard)  
B: Fabric roll-off room side (option)

## B. INSTALLATION PROFILE

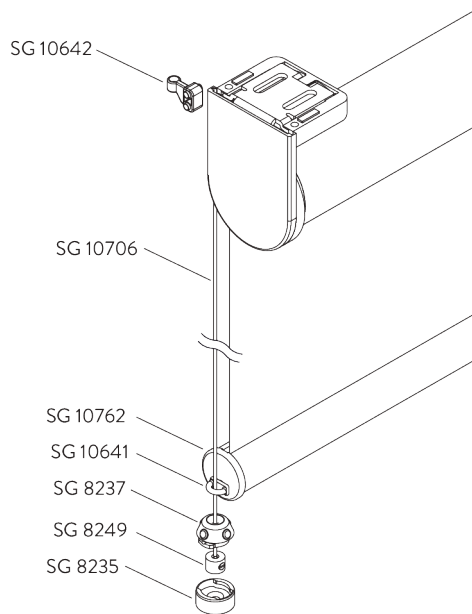


## C. ADJUSTABLE END STOP



Setting of upper or lower end position.

## D. SIDE GUIDES



### Additional parts:

- 2x SG 8235 Side guide wire base short
- 2x SG 8237 Side guide wire holder
- 2x SG 8249 Side guide device
- 2x SG 10762 Side guide end cover round
- 2x SG 10641 Side guide eyelet
- 2x SG 10642 Side guide wire holder
- 2x SG 10706 Side guide wire  $\varnothing$  1.3 mm x 2.6 m

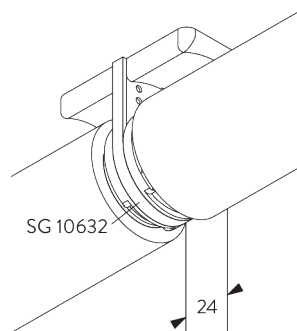
### Optional parts:

- 2x SG 8236 Side guide wire base long
- 2x SG 10772 Side guide end cover square
- 2x SG 10643 Side guide wire  $\varnothing$  1.3 mm x 4.2 m
- 1x SG 10669 Side guide double base long
- 1x SG 10673 Side guide double base short
- 1x SG 10701 Side guide double wire holder

### Note:

- Light gaps increase when side-guide option is used
- Up to 15° from vertical

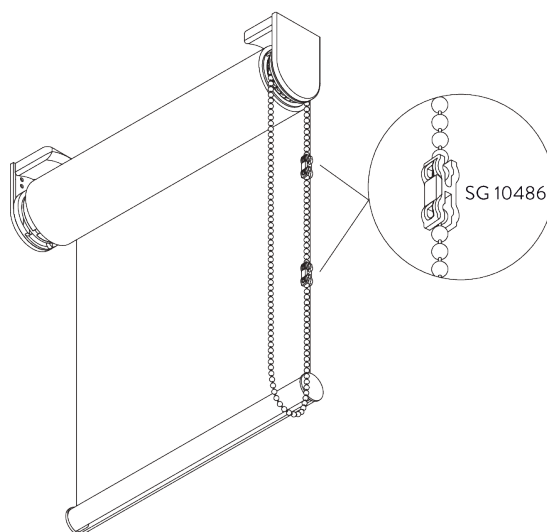
## E. TWO SINGLE SYSTEMS SIDE-BY-SIDE



### Additional parts:

- 1x SG 10632 Connection bracket cover

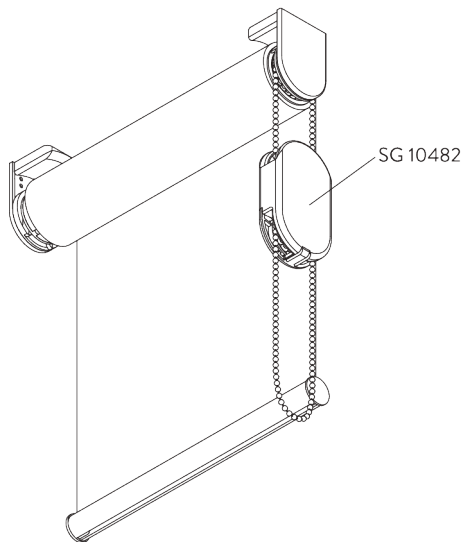
## F. CHILD SAFETY



The chain break connector SG 10486 releases the chain should the pulling force exceed 6 kg.

### Note:

- System to be installed so chain loop ends at least 60 cm above floor.

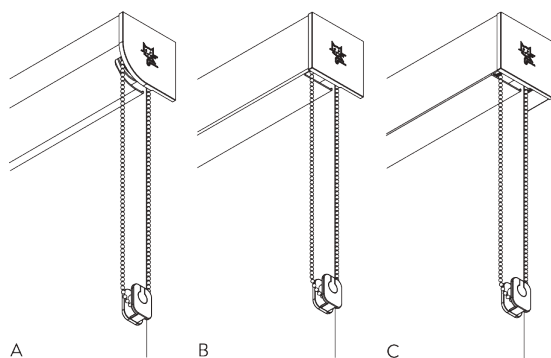


The child safety device SG 10482 releases the chain should the pulling force exceed 6 kg.

Note:

- System to be installed so chain loop of child safety device ends at least 60 cm above floor.

### **G. FASCIA / BOX**



- A: Fascia round
- B: Fascia square
- C: Box

Size:

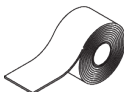


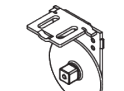
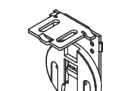

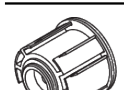



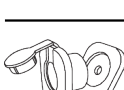
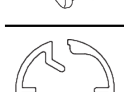
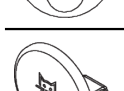
- S: 78 x 73 mm
- L: 110 x 110 mm

Note:

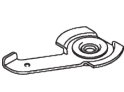





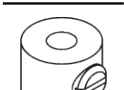
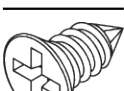


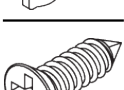

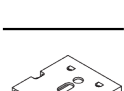
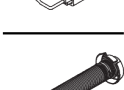
- Only applicable with bottom bar SG 11442

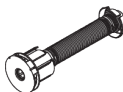

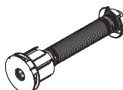
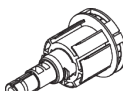


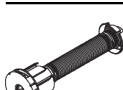
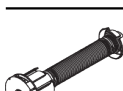
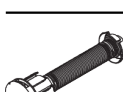
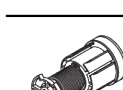

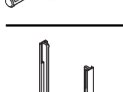
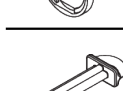

# PARTS

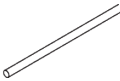
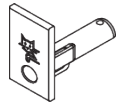



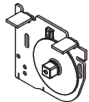


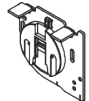
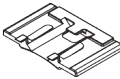

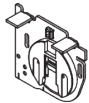







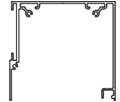

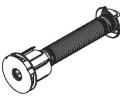

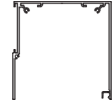






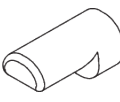










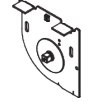
## A. STANDARD PARTS

	<b>SG 4226</b> Double tape 30 mm
	<b>SG 10530</b> Bead chain metal ø 4 mm
	<b>SG 10531</b> Tube ø 41 mm
	<b>SG 10542</b> Bracket
	<b>SG 10543</b> Bracket
	<b>SG 10547</b> Spring C left, 641 mm
	<b>SG 10556</b> Tube adapter
	<b>SG 10574</b> Bracket cover
	<b>SG 10575</b> Bracket cover
	<b>SG 10668</b> PVC strip 10 mm
	<b>SG 10731</b> Child safety retainer set
	<b>SG 10760</b> Bottom bar
	<b>SG 10761</b> End cover

## B. OPTIONAL PARTS

	<b>SG 3033</b> Clamp
	<b>SG 3044</b> Clamp
	<b>SG 4903</b> Bottom bar
	<b>SG 8235</b> Side guide wire base short
	<b>SG 8236</b> Side guide wire base long
	<b>SG 8237</b> Side guide wire holder
	<b>SG 8249</b> Side guide device
	<b>SG 10139</b> Countersunk screw 2.9x6.5
	<b>SG 10482</b> Child safety device set metal chain ø 4.0 mm
	<b>SG 10486</b> Child safety chain break connector set
	<b>SG 10498</b> Countersunk screw 2.9x9.5
	<b>SG 10534</b> Installation profile
	<b>SG 10539</b> Bracket
	<b>SG 10545</b> Spring A left, 420 mm

	<b>SG 10546</b> Spring B left, 487 mm
	<b>SG 10548</b> Spring D left, 721 mm
	<b>SG 10549</b> Spring E left, 824 mm
	<b>SG 10550</b> Chain drive
	<b>SG 10551</b> Spring A right, 420 mm
	<b>SG 10552</b> Spring B right, 487 mm
	<b>SG 10553</b> Spring C right, 641 mm
	<b>SG 10554</b> Spring D right, 721 mm
	<b>SG 10555</b> Spring E right, 824 mm
	<b>SG 10559</b> End stop left threads
	<b>SG 10560</b> End stop right threads
	<b>SG 10632</b> Connection bracket cover
	<b>SG 10641</b> Side guide eyelet
	<b>SG 10642</b> Side guide wire holder

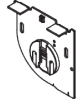
	<b>SG 10643</b> Side guide wire $\varnothing$ 1.3 mm x 4.2 m		<b>SG 10772</b> Side guide end cover		<b>SG 11446</b> Bracket left 73 mm
	<b>SG 10669</b> Side guide double base long		<b>SG 11178</b> End cover		<b>SG 11447</b> Bracket right 73 mm
	<b>SG 10673</b> Side guide double base short		<b>SG 11180</b> Clamp		<b>SG 11448</b> Bracket left 73 mm
	<b>SG 10690</b> Spacer		<b>SG 11430</b> Installation profile fascia 73 mm		<b>SG 11449</b> Bracket right 73 mm
	<b>SG 10697</b> Spring F left, 921 mm		<b>SG 11431</b> Fascia round 73 mm		<b>SG 11530</b> Installation profile fascia 110 mm
	<b>SG 10698</b> Spring G left, 921 mm		<b>SG 11432</b> Fascia square 73 mm		<b>SG 11531</b> Fascia round 110 mm
	<b>SG 10699</b> Spring F right, 921 mm		<b>SG 11433</b> Box case 73 mm		<b>SG 11532</b> Fascia square 110 mm
	<b>SG 10700</b> Spring G right, 921 mm		<b>SG 11434</b> Box cover 73 mm		<b>SG 11533</b> Box case 110 mm
	<b>SG 10701</b> Side guide double wire holder		<b>SG 11437</b> Bracket cover round left 73 mm		<b>SG 11534</b> Box cover 110 mm
	<b>SG 10706</b> Side guide wire $\varnothing$ 1.3 mm x 2.6 m		<b>SG 11438</b> Bracket cover round right 73 mm		<b>SG 11537</b> Bracket cover round left 110 mm
	<b>SG 10707</b> End stop		<b>SG 11439</b> Bracket cover square left 73 mm		<b>SG 11538</b> Bracket cover round right 110 mm
	<b>SG 10762</b> Side guide end cover		<b>SG 11440</b> Bracket cover square right 73 mm		<b>SG 11539</b> Bracket cover square left 110 mm
	<b>SG 10770</b> Bottom bar		<b>SG 11442</b> Bottom bar		<b>SG 11540</b> Bracket cover square right 110 mm
	<b>SG 10771</b> End cover		<b>SG 11443</b> End cover		<b>SG 11546</b> Bracket left 110 mm



**SG 11547**

*Bracket right 110 mm*

---



**SG 11548**

*Bracket left 110 mm*

---



**SG 11549**

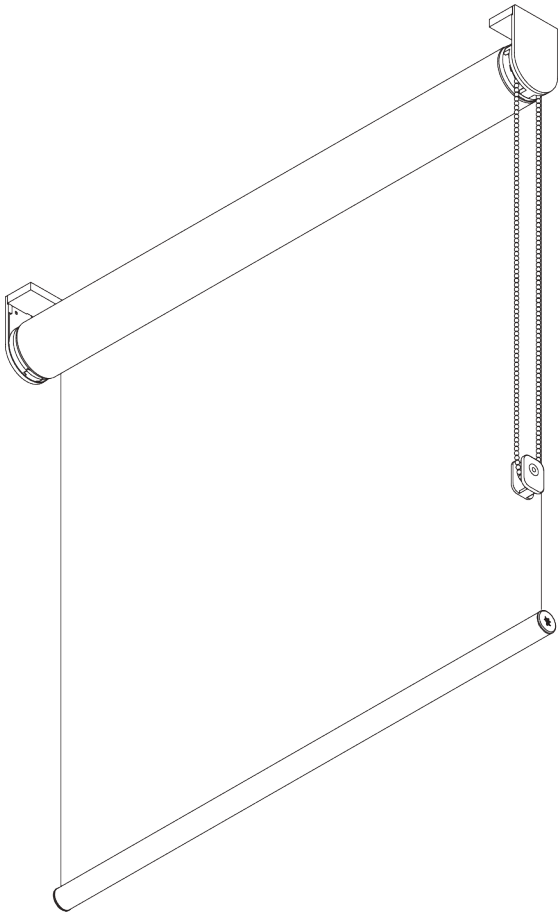
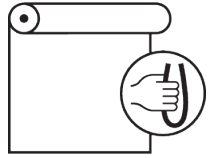
*Bracket right 110 mm*

---



# SG 4930

---



## PRODUCT INFORMATION

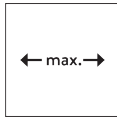
- **Operation:** chain
- **Range:** M - L
- **Fitting:** ceiling, wall, recess
- **Colours:** white RAL 9016, grey RAL 7035, black RAL 9005, special colours possible
- **Fabrics:** refer to Silent Gliss fabric collection

### **Features:**

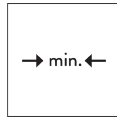
- 5-to-1 gear drive
- Stainless steel bead chain
- Two connected systems
- Click-in brackets
- Fascia, box, installation profile

# SYSTEM SPECIFICATIONS

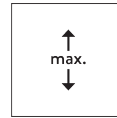
## A. SYSTEM DIMENSIONS



Single system: 3.4 m  
Double system: 6.8 m



65 cm



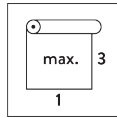
5 m



Single system: 17 m<sup>2</sup>  
Double system: 30 m<sup>2</sup>



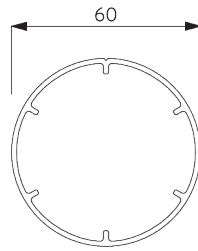
7 kg



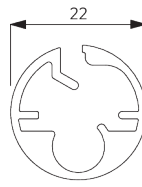
Recommended width /  
height ratio  
max. 1:3

## B. PROFILE

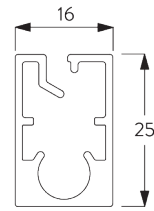
### Profile information



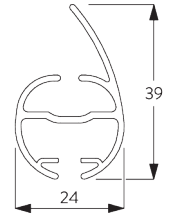
**SG 11037**  
Tube ø 60 mm



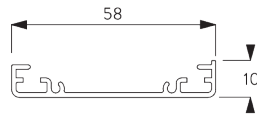
**SG 10760**  
Bottom bar



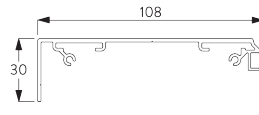
**SG 10770**  
Bottom bar



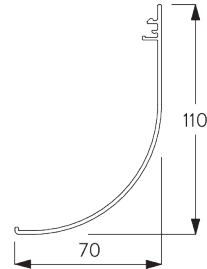
**SG 4903**  
Bottom bar



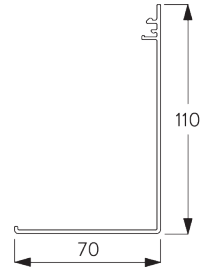
**SG 11181**  
Installation profile



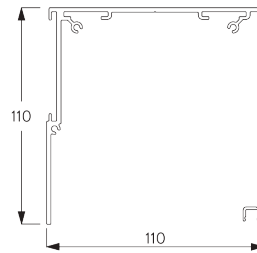
**SG 11530**  
Installation profile fascia 110 mm



**SG 11531**  
Fascia round 110 mm



**SG 11532**  
Fascia square 110 mm



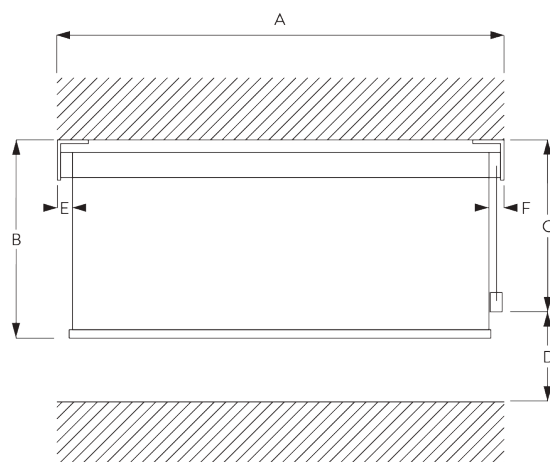
**SG 11533**  
Box case 110 mm



**SG 11534**  
Box cover 110 mm

## C. HOW TO MEASURE

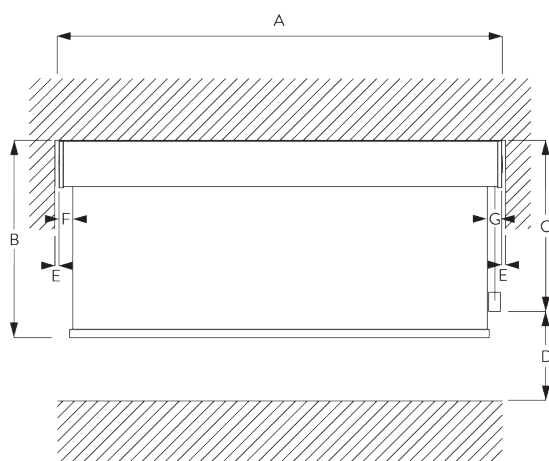
incl. bracket covers



- A: System width
- B: System height
- C: Chain height
- D: Safety Retainer SG 10731 min. 150 cm above floor
- E: Light gap: 18 mm
- F: Light gap operation side: 25 mm

Note:  
All measurements include 2 mm for bracket cover per side!

## Fascia / Box



- A: System width
- B: System height
- C: Chain height
- D: Safety Retainer SG 10731 min. 150 cm above floor
- E: Gap: min. 10 mm (when cover is used)
- F: Light gap: 20 mm
- G: Light gap operation side: 27 mm

## D. SPECIFICATION

### TEXT

#### EN

Silent Gliss Chain Operated Roller Blind System SG 4930. Roller blind system for medium to large size blind applications up to 3.4m wide. Supplied made to measure and complete with barrel SG 11037, gear and integrated brake to ensure smooth operation and exact stop positions without slippage. Fixed to wall / ceiling / inside recess with SG 11172 / 11175 brackets with side cover SG 11173/11174 to ensure neat appearance. Brackets and hardware in white/grey/black finish. Optional installation profile SG 11181 for easy installation with clamps SG 11180. Optional side guide wires. Double system option can be operated simultaneously by a single chain fitted with SG 11183 connecting bolt. Bottom bar in white/grey/black SG 4903/10993. Compliant to Child Safety legislation EN 13120. Fabric to be chosen from the Silent Gliss fabric range, Price Group 1-4.

#### SV

Silent Gliss SG 4930 kedjemanövrerat rullgardinsystem. Rullgardinsystem för installationer upp till 3.4 m bredd. Levereras komplett i specificerat mått innefattande anodiserat rör SG 11037, 60 mm, med utväxling och broms för att garantera lätt och steglös upp- och nerrullning. Vägg/tak och nischmontering med fästen SG 11172 / SG 11175 samt täckplattor SG 11173/11174 i vitt/grått eller svart. Alternativt med installationsprofil SG 11181 som monteras med SG fästen 11180. Sidewire som tillbehör. Dubbelsystem för manövrering med 1 kulkedja via kopplingsbeslag SG 11183. Monterad tyngdprofil i aluminium i finish vitt/grått/svart med SG 4903/10993). Uppfyller barnsäkerhetsnormen EN 13120. Textil från Silent Gliss textilprogram i prisgrupp 1-4.

#### NO

Silent Gliss SG 4930 Kjedefbetjent rullegardinsystem. Rullegardinsystem for maks. bredde på 3,4 meter. Leveres komplett på spesialmål med anodisert rør integrert, SG11037, 60mm, med utveksling og brems for å garantere lett og trinnløs opp- og nedrulling. Tak-,vegg- og nisjemontering med feste SG11172 / SG11175 samt dekkplate SG 11173/11174 i hvit, grå eller svart. Alternativt monteringsprofil SG 11181 som monteres med feste SG 11180. Sidewire som tilbehør. Koblingsbeslag SG 11183 for betjening av dobbelt system med kulekjede. Montert tyngdeprofil i pulverlakkert aluminium i hvit/alu/svart med SG 4903/10993. Oppfyller barnesikkerhetsnormen EN13120. Tekstil fra Silent Gliss kolleksjon i prisgruppe 1-4.

#### DA

Silent Gliss rullegardinsystem med kædestyring SG 4930. Rullegardinsystem til mellem til store installationer med op til 3,4m bredde. Leveres i ønsket længde og komplet med aluminiumrør SG 11037, gear og integreret bremse, der sørger for trinløs betjening og nøjagtige stopstillinger uden glidning. Fastgøres i væggen / loftet / indfældes med beslagene SG 11172 / 11175 med sideafdækning SG 11173/11174, så det ser pænt ud. Beslag og armaturer i hvid/grå/sort finish. Alternativt med installationsprofil SG 11181 for nem installation med klemmerne SG 11180. Sidewirer som tilbehør. Valgfrit dobbelt system kan betjenes samtidigt med en enkelt kæde med en SG 11183 tilslutningsbolt. Tyngdeprofil i hvidt/gråt/sort SG 4903/10993. Overholder lovgivning om børnesikkerhed efter EN 13120. Stoffet vælges fra Silent Gliss stofprogrammet, prisgruppe 1-4.

# FITTING

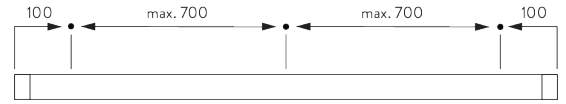
## A. FITTING INFORMATION

For detailed fitting information, visit the Silent Gliss website.

## Fixing points

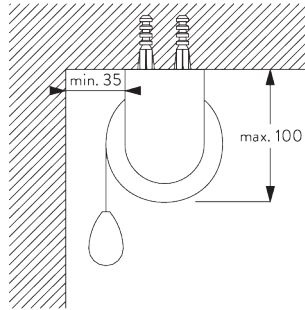


Brackets (wall / ceiling)

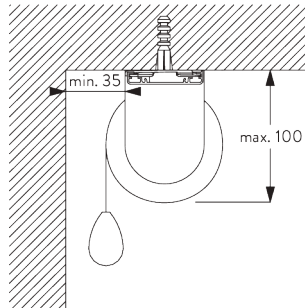


Fascia / box & installation profile SG 11181 (wall / ceiling)

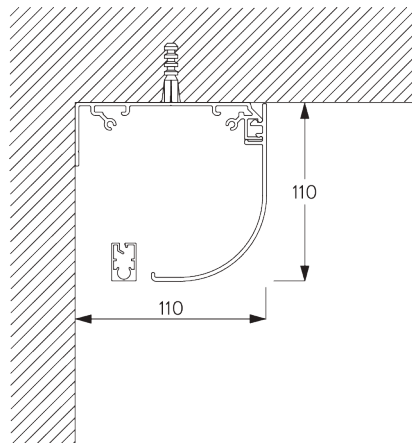
## B. CEILING FITTING



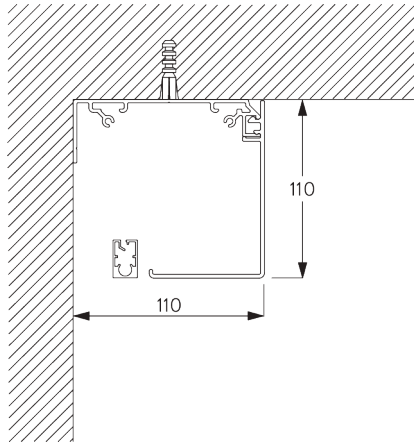
Brackets



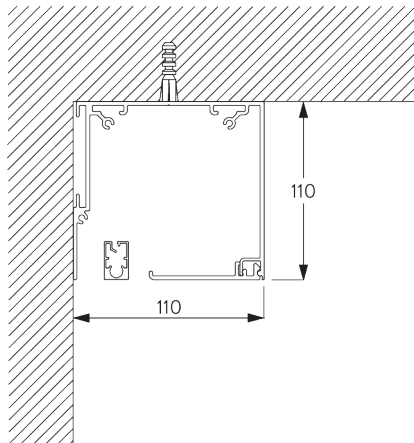
Installation profile SG 11181 and clamp SG 11180



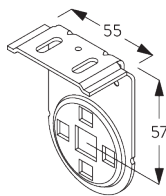
Fascia round



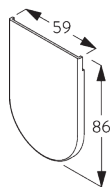
**Fascia square**



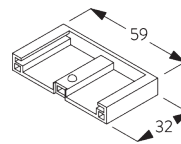
**Box**



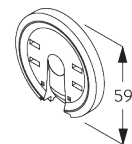
**SG 11172**  
Bracket



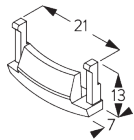
**SG 11173**  
Bracket cover



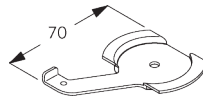
**SG 11174**  
Bracket cover



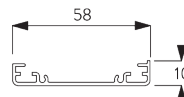
**SG 11175**  
Click flange



**SG 11179**  
Cover

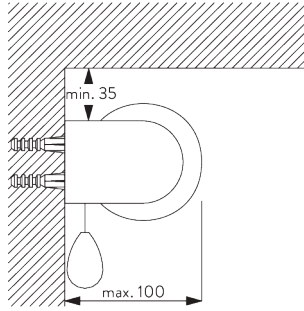


**SG 11180**  
Clamp

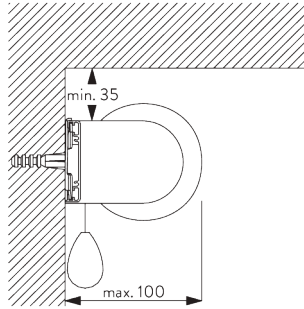


**SG 11181**  
Installation profile

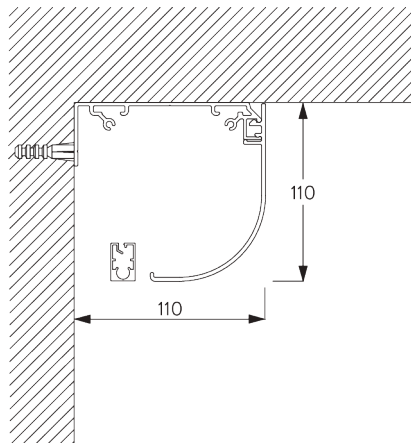
## C. WALL FITTING



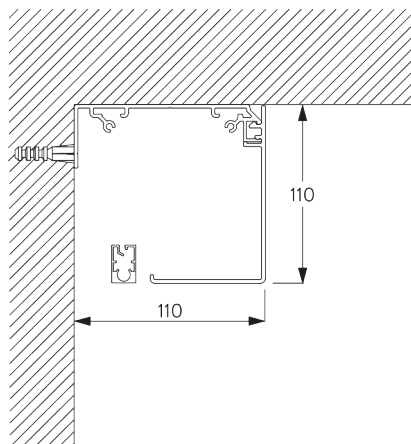
**Brackets**



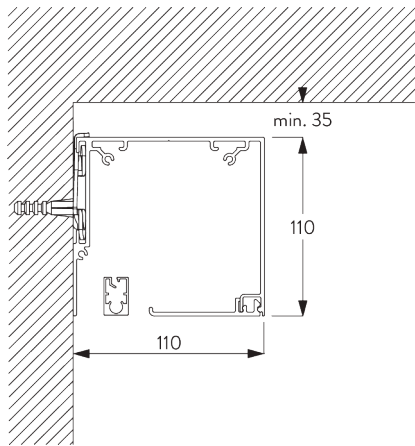
**Installation profile SG 11181 and clamp SG 11180**



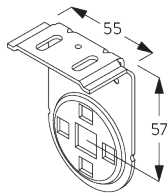
**Fascia round**



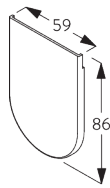
**Fascia square**



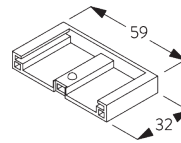
**Box and clamp SG 11180**



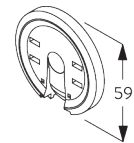
**SG 11172**  
Bracket



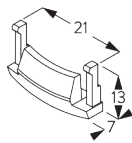
**SG 11173**  
Bracket cover



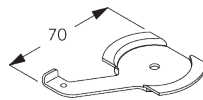
**SG 11174**  
Bracket cover



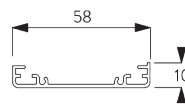
**SG 11175**  
Click flange



**SG 11179**  
Cover

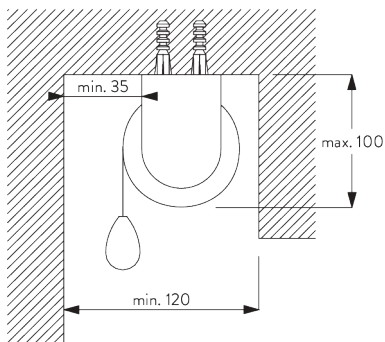


**SG 11180**  
Clamp



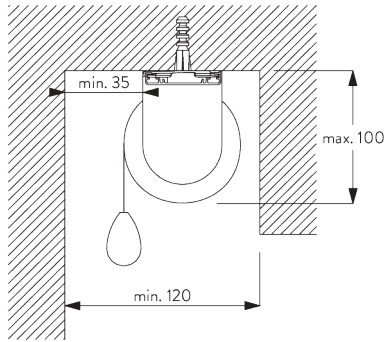
**SG 11181**  
Installation profile

## D. RECESS FITTING

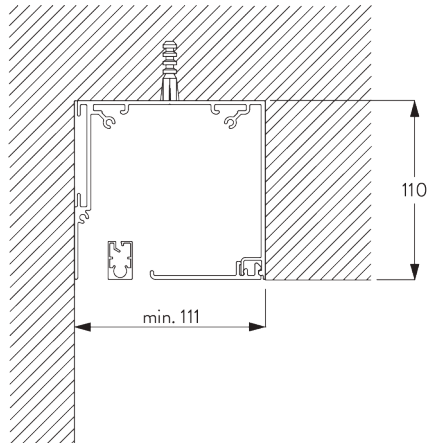


**Brackets**

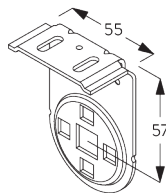




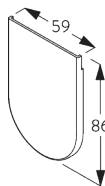
**Installation profile SG 11181 and clamp SG 11180**



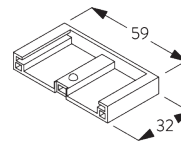
**Box**



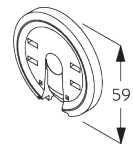
**SG 11172**  
Bracket



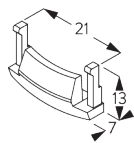
**SG 11173**  
Bracket cover



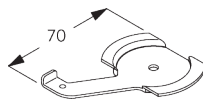
**SG 11174**  
Bracket cover



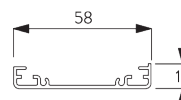
**SG 11175**  
Click flange



**SG 11179**  
Cover

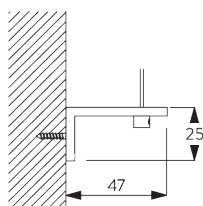


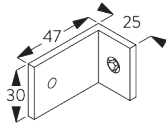
**SG 11180**  
Clamp



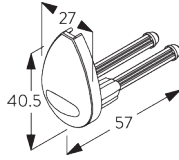
**SG 11181**  
Installation profile

**E. FITTING WITH  
SIDE GUIDE  
OPTION**

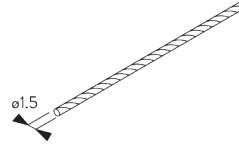




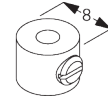
**SG 3036**  
Bracket 47 mm



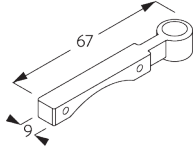
**SG 4944**  
Side guide end cover



**SG 4948**  
Side guide wire ø 1.5 mm



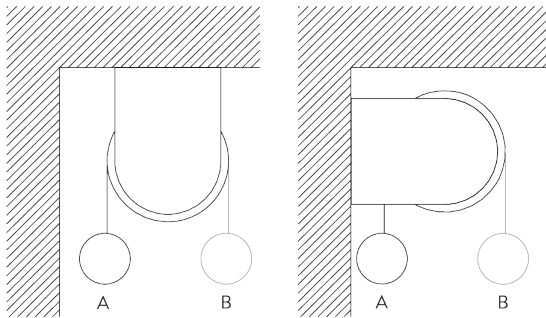
**SG 8249**  
Side guide device



**SG 1182**  
Side guide wire holder

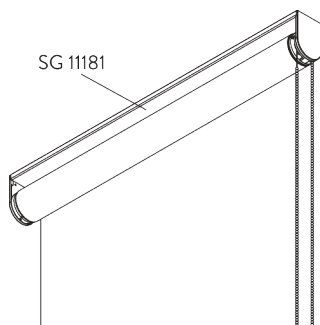
# SYSTEM OPTIONS

## A. FABRIC ROLL-OFF

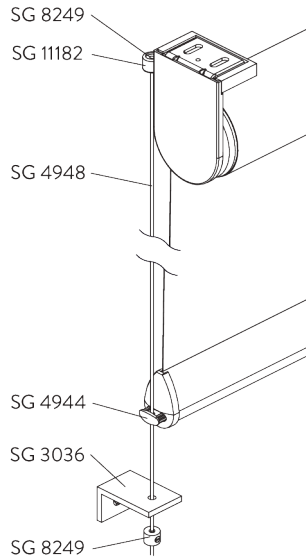


A: Fabric roll-off window side (standard)  
B: Fabric roll-off room side (option)

## B. INSTALLATION PROFILE



### C. SIDE GUIDES



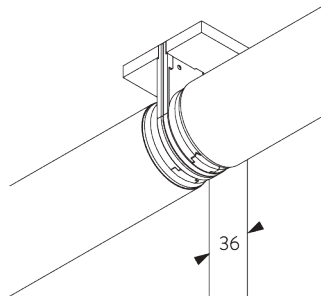
Additional parts:

- 2x SG 3036 Bracket
- 2x SG 4944 Side guide end cover
- 2x SG 4948 Side guide wire  $\varnothing$  1.5 mm
- 4x SG 8249 Side guide device
- 2x SG 11182 Side guide wire holder

Note:

- Light gaps increase when side-guide option is used
- Up to 15° from vertical
- Only applicable with bottom bar SG 4903

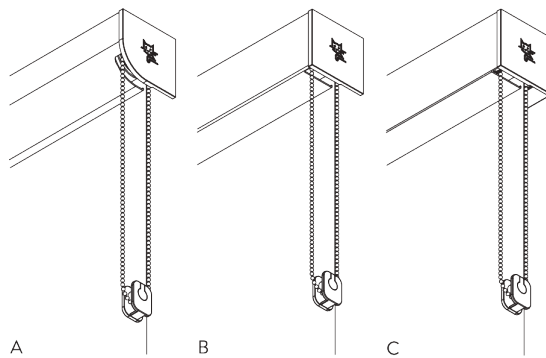
### D. TWO CONNECTED SYSTEMS



Additional parts:

- 1x SG 11175 Click flange
- 1x SG 11183 Connecting bolt
- 2x SG 11184 Connection bracket cover
- 1x SG 11195 Connection tube adapter

### E. FASCIA / BOX



A: Fascia round

B: Fascia square

C: Box

Size:


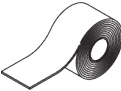






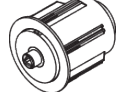

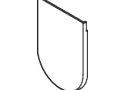
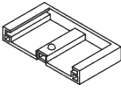

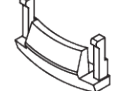
- 110 x 110 mm

Note:

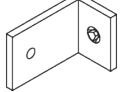

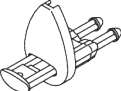


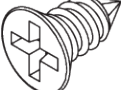
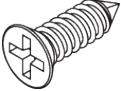
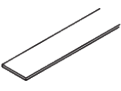
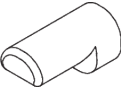
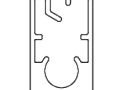
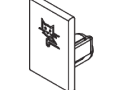

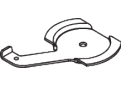
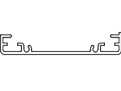
- Only applicable with bottom bar SG 10770
- Not possible with connected systems

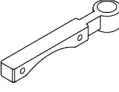
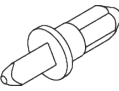
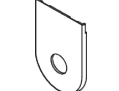
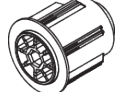
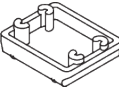
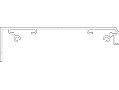






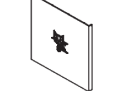

# PARTS

## A. STANDARD PARTS

	<b>SG 4223</b> PVC strip 14 mm
	<b>SG 4226</b> Double tape 30 mm
	<b>SG 4845</b> Bead chain metal ø 4.5 mm
	<b>SG 10731</b> Child safety retainer set
	<b>SG 10760</b> Bottom bar
	<b>SG 10761</b> End cover
	<b>SG 10962</b> Chain drive
	<b>SG 11037</b> Tube ø 60 mm
	<b>SG 11165</b> Tube adapter
	<b>SG 11172</b> Bracket
	<b>SG 11173</b> Bracket cover
	<b>SG 11174</b> Bracket cover
	<b>SG 11175</b> Click flange
	<b>SG 11179</b> Cover

## B. OPTIONAL PARTS

	<b>SG 3036</b> Bracket 47 mm
	<b>SG 4903</b> Bottom bar
	<b>SG 4944</b> Side guide end cover
	<b>SG 4948</b> Side guide wire ø 1.5 mm
	<b>SG 8249</b> Side guide device
	<b>SG 10139</b> Countersunk screw 2.9x6.5
	<b>SG 10498</b> Countersunk screw 2.9x9.5
	<b>SG 10668</b> PVC strip 10 mm
	<b>SG 10707</b> End stop
	<b>SG 10770</b> Bottom bar
	<b>SG 10771</b> End cover
	<b>SG 11178</b> End cover
	<b>SG 11180</b> Clamp
	<b>SG 11181</b> Installation profile

	<b>SG 11182</b> Side guide wire holder
	<b>SG 11183</b> Connection bolt
	<b>SG 11184</b> Connection bracket cover
	<b>SG 11195</b> Connection tube adapter
	<b>SG 11311</b> Bracket spacer
	<b>SG 11530</b> Installation profile fascia 110 mm
	<b>SG 11531</b> Fascia round 110 mm
	<b>SG 11532</b> Fascia square 110 mm
	<b>SG 11533</b> Box case 110 mm
	<b>SG 11534</b> Box cover 110 mm
	<b>SG 11537</b> Bracket cover round left 110 mm
	<b>SG 11538</b> Bracket cover round right 110 mm
	<b>SG 11539</b> Bracket cover square left 110 mm
	<b>SG 11540</b> Bracket cover square right 110 mm



---

**SG 11544**

*Bracket left 110 mm*

---



---

**SG 11545**

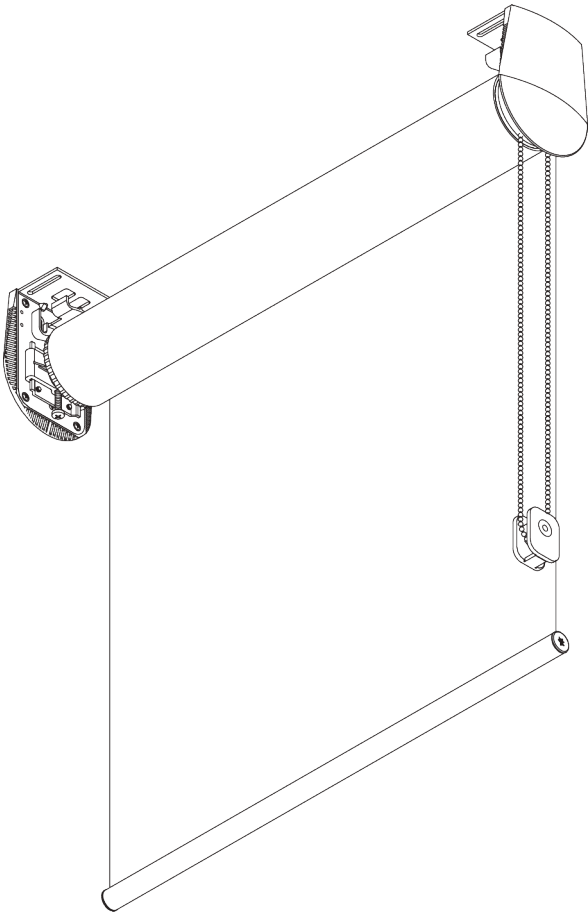
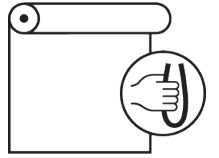
*Bracket right 110 mm*

---



# SG 4840

---



## PRODUCT INFORMATION

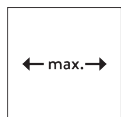
- **Operation:** chain
- **Range:** L
- **Fitting:** ceiling, wall, recess
- **Colours:** white RAL 9016 or anodised aluminum, special colours possible
- **Fabrics:** refer to Silent Gliss fabric collection

### **Features:**

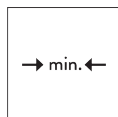
- Stainless steel bead chain
- Stainless steel brackets, adjustable for vertical alignment of fabric

# SYSTEM SPECIFICATIONS

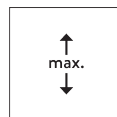
## A. SYSTEM DIMENSIONS



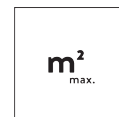
Tube SG 4957: 5 m  
Tube SG 4901: 4 m



50 cm



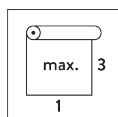
Tube SG 4957: 3.75 m  
Tube SG 4901: 6 m



15 m<sup>2</sup>



Tube SG 4957: 9.5 kg  
Tube SG 4901: 12.5 kg



Recommended width /  
height ratio  
max. 1:3

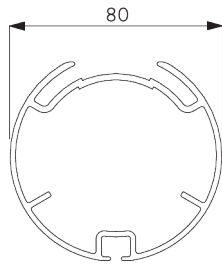
## Maximum surface area

		A →								
		2 m	2.5 m	3 m	3.5 m	4 m	4.5 m	5 m		
B ↓	2 m	●	●	●	●	○	○	○	 ● SG 4901 (ø 80 mm)	
	2.5 m	●	●	●	●	○	○	○		
	3 m	●	●	●	●	○	○	○		
	3.5 m	●	●	●	●	○				
	4 m	●	●	●	●				 ○ SG 4957 (ø 110 mm)	
	4.5 m	●	●	●						
	5 m	●	●	●						
	5.5 m	●	●		max. 15 m <sup>2</sup>					
6 m	●	●								



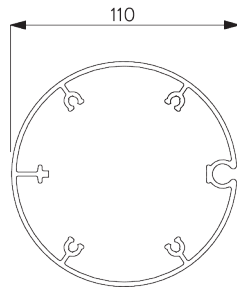
## B. PROFILE

### Profile information



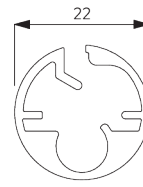
**SG 4901**

Tube ø 80 mm



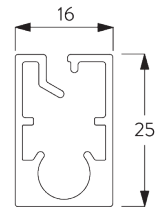
**SG 4957**

Tube ø 110 mm



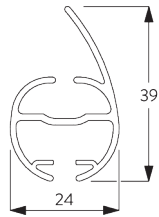
**SG 10760**

Bottom bar



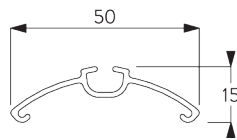
**SG 10770**

Bottom bar



**SG 4903**

Bottom bar

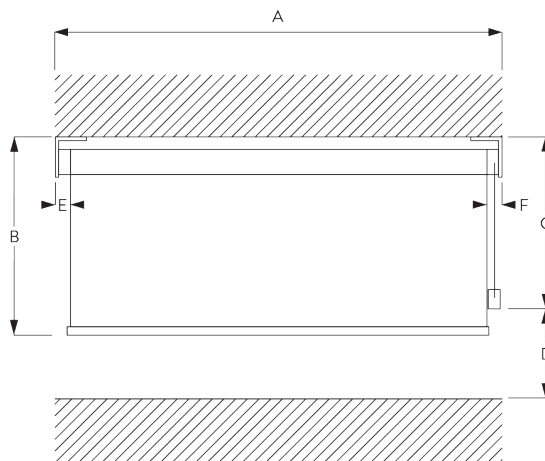


**SG 4902**

Profile

## C. HOW TO MEASURE

incl. bracket covers  
(15 mm)



A: System width

B: System height

C: Chain height

D: Safety Retainer SG 10731 min. 150 cm above floor

Tube SG 4901 (ø 80 mm):

E: Light gap: 44 mm

F: Light gap operation side: 40 mm

Tube SG 4957 (ø 110 mm):

E: Light gap: 42 mm

F: Light gap operation side: 42 mm

Note:

All measurements include 15 mm for bracket cover per side!

## D. SPECIFICATION

### TEXT

#### EN

Silent Gliss SG 4840 Chain Operated Roller Blind System. Roller blind system for heavy and large size blind applications up to 5m wide. Supplied made to measure and complete comprising anodised aluminium barrel SG 4901 (80mm tube) / SG 4957 (110mm tube) and stainless steel bracket combination set SG 4949. Fix to wall / ceiling / inside recess. Incorporating Silent Gliss patented Quick Twist SG 4902 for easy on-site adjustment of the fabric roll up (80mm tube only). Assembled with powder coated white finish aluminium bottom weight bar SG 4903. Compliant to Child Safety legislation EN 13120. Fabric to be chosen from the Silent Gliss fabric range, Price Group 1-4.

#### SV

Silent Gliss SG 4840 kedjemanövrerat rullgardinsystem. Rullgardinsystem för installationer upp till 5 m bredd. Levereras komplett i specificerat mått innefattande anodiserat rör SG 4901, 80 mm / SG 4957, 110 mm. Väggtak och nischmontering med fästet set SG 4949. Inkl. Silent Gliss patenterad funktion Quick Twist SG 4902 för enkel justering på av upprulling på 80 mm tub. Sidewire som tillbehör. Monterad pulverlackerad tyngdprofil i aluminium i finish vitt/alu SG 4903. Uppfyller barnsäkerhetsnormen EN 13120. Textil från Silent Gliss textilprogram i prisgrupp 1-4.

#### NO

Silent Gliss SG 4840 Kjedefbetjent rullegardinsystem. Rullegardinsystem for maks. bredde på 5 meter. Leveres komplett på spesialmål med anodisert rør integrert, SG 4901, 80mm/ SG4957, 110mm. Tak-,vegg- og nisjemontering med festesett 4949. Inkl. Silent Gliss patenterte funksjon Quick Twist SG 4902 for enklere justering av opprulling av tekstilet på stedet (kun 80 mm rør). Sidewire er tilbehør. Monteret tyngdeprofil i pulverlakkert aluminium i hvit/ eller alu finish SG4903. Oppfyller barnesikkerhetsnormen EN13120. Tekstil fra Silent Gliss kolleksjon i prisgruppe 1-4.

#### DA

Silent Gliss SG 4840 gardinskinnesystem med kædestyring. Rullegardinsystem til tunge og store installationer med op til 5 m bredde. Leveres i ønsket længde og samlet, bestående af anodiseret aluminiumrør SG 4901 (80 mm rør) / SG 4957 (110 mm rør) og beslag af rustfrit stål, kombinationssæt SG 4949. Fastgjort til væg / loft / indfældet. Bruger det Silent Gliss patenterede Quick Twist SG 4902, så stofrullen nemt kan justeres på stedet (kun for 80 mm rør). Monteret med hvid pulverlakeret tyngdeprofil af aluminium SG 4903. Overholder lovgivning om børnesikkerhed efter EN 13120. Stoffet vælges fra Silent Gliss stofprogrammet, prisgruppe 1-4.

# FITTING

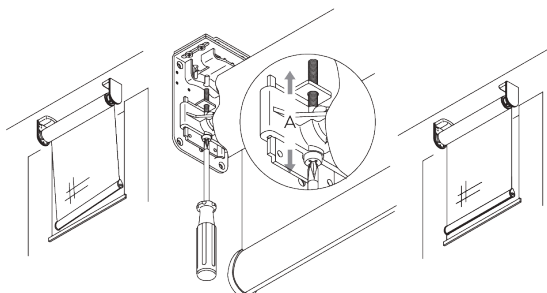
## A. FITTING INFORMATION

### Fixing points



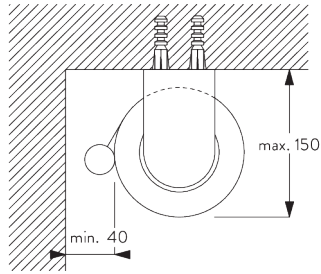
\*30 mm without cover  
\*43 mm with cover

### Adjustable brackets (for vertical adjustments)

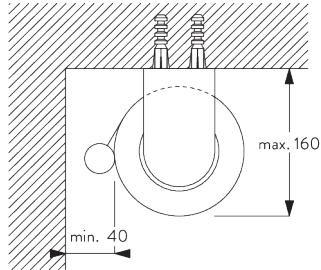


Vertical adjustment of fabric to the window frame.

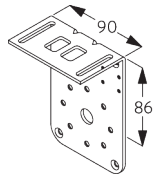
## B. CEILING FITTING



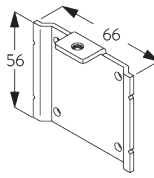
Tube SG 4901 (ø 80 mm)



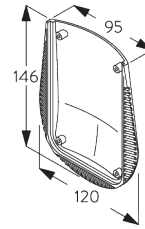
Tube SG 4957 (ø 110 mm)



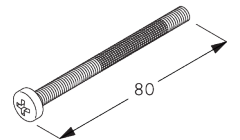
SG 4904  
Bracket (set SG 4949)



SG 4906  
Plate (set SG 4949)

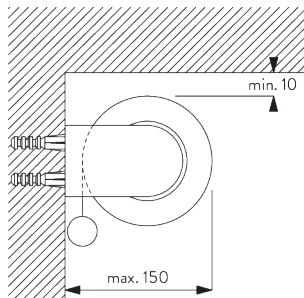


SG 4956  
Bracket cover

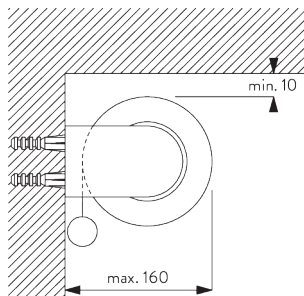


SG 4966  
Special screw (set SG 4949)

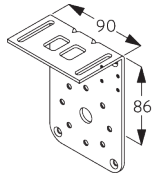
## C. WALL FITTING



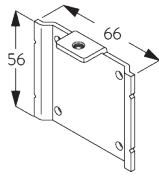
Tube SG 4901 (ø 80 mm)



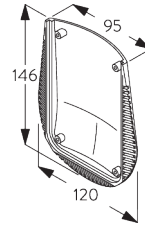
Tube SG 4957 (ø 110 mm)



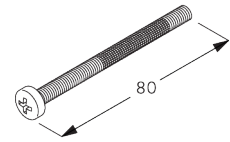
**SG 4904**  
Bracket (set SG 4949)



**SG 4906**  
Plate (set SG 4949)

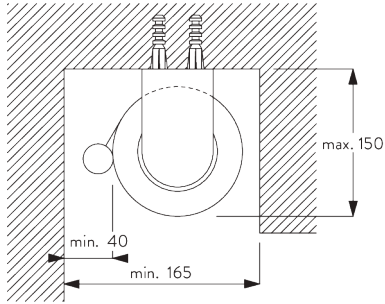


**SG 4956**  
Bracket cover

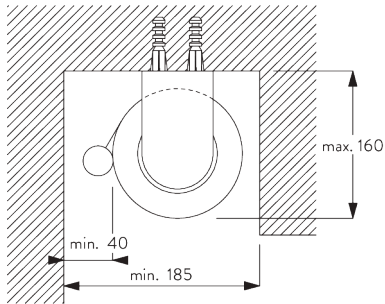


**SG 4966**  
Special screw (set SG 4949)

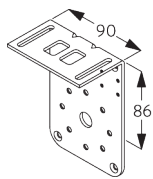
## D. RECESS FITTING



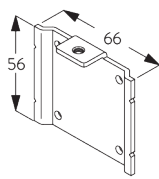
Tube SG 4901 (ø 80 mm)



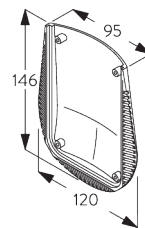
Tube SG 4957 (ø 110 mm)



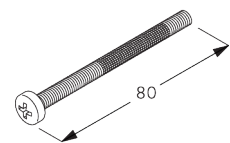
**SG 4904**  
Bracket (set SG 4949)



**SG 4906**  
Plate (set SG 4949)

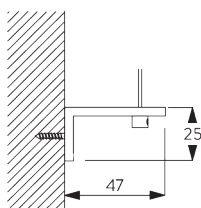


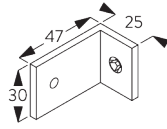
**SG 4956**  
Bracket cover



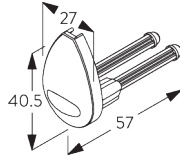
**SG 4966**  
Special screw (set SG 4949)

## E. FITTING WITH SIDE GUIDE OPTION

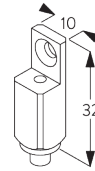




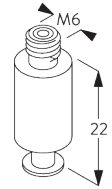
**SG 3036**  
Bracket 47 mm



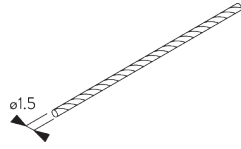
**SG 4944**  
Side guide end cover



**SG 4946**  
Side guide wire rope fastener



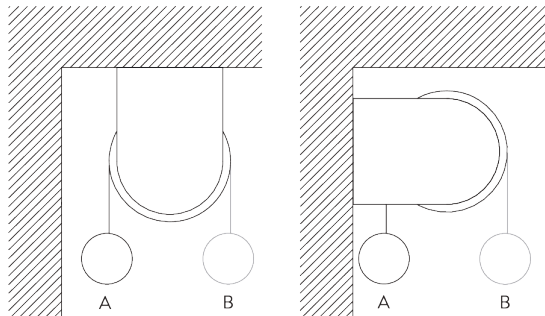
**SG 4947**  
Side guide wire rope fastener



**SG 4948**  
Side guide wire  $\varnothing$  1.5 mm

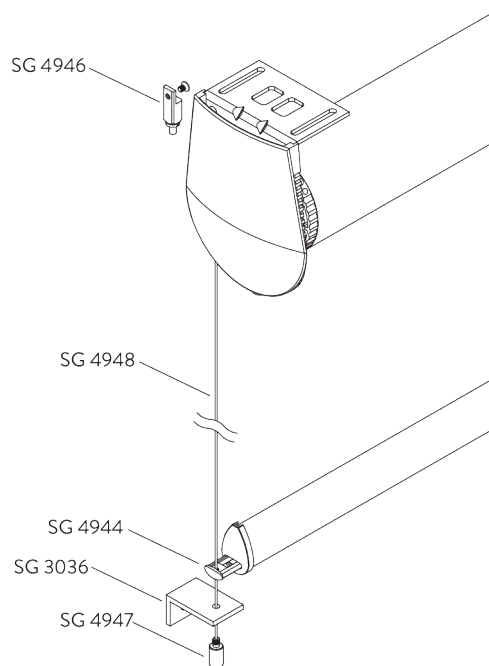
## SYSTEM OPTIONS

### A. FABRIC ROLL-OFF



A: Fabric roll-off window side (standard)  
B: Fabric roll-off room side (option)

### B. SIDE GUIDES



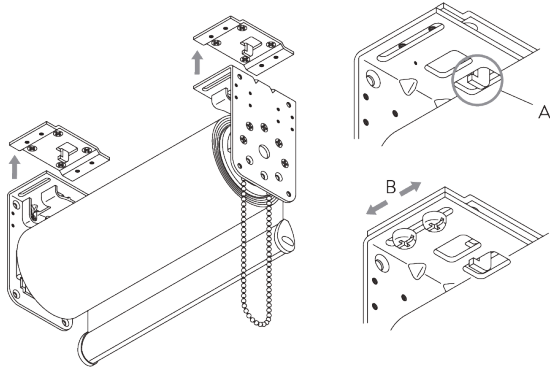
#### Additional parts:

- 2x SG 3036 Bracket 47 mm
- 2x SG 4944 Side guide end cover
- 2x SG 4946 Side guide wire rope fastener
- 2x SG 4947 Side guide wire rope fastener
- 2x SG 4948 Side guide wire  $\varnothing$  1.5 mm

#### Note:

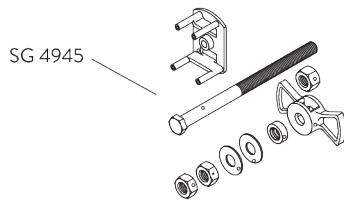
- Light gaps increase when side-guide option is used
- Up to 15° from vertical

**C. HOOK-IN  
INSTALLATION  
PLATES**



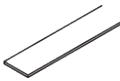
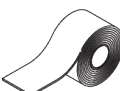



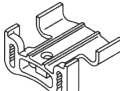

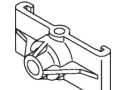
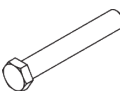
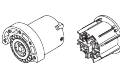
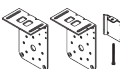

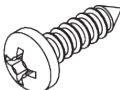
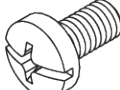
A: Hook-in plates SG 4972 take the weight of the blind  
B: Brackets sideways adjustable by up to 18 mm

**D. ADJUSTABLE END  
STOP**

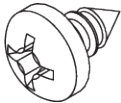
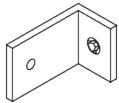



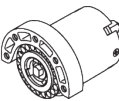

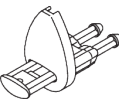


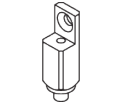


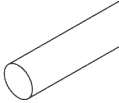

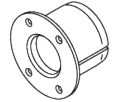
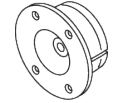
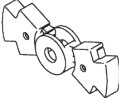
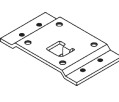


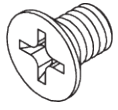
# PARTS

## A. STANDARD PARTS

	<b>SG 4223</b> PVC strip 14 mm
	<b>SG 4226</b> Double tape 30 mm
	<b>SG 4845</b> Bead chain metal ø 4.5 mm
	<b>SG 4901</b> Tube ø 80 mm
	<b>SG 4902</b> Profile
	<b>SG 4908</b> End stop
	<b>SG 4914</b> Tube adapter
	<b>SG 4915</b> Support
	<b>SG 4939</b> Shaft
	<b>SG 4941</b> Chain drive set
	<b>SG 4949</b> Bracket set
	<b>SG 4956</b> Bracket cover
	<b>SG 10503</b> Pan head screw 3.5x13
	<b>SG 10505</b> Pan head screw Freedrive M4x8

## B. OPTIONAL PARTS

	<b>SG 10507</b> Pan head screw 3.5x6.5		<b>SG 3036</b> Bracket 47 mm
	<b>SG 10509</b> Countersunk head screw M5x8		<b>SG 4903</b> Bottom bar
	<b>SG 10731</b> Child safety retainer set		<b>SG 4909</b> Chain drive
	<b>SG 10760</b> Bottom bar		<b>SG 4944</b> Side guide end cover
	<b>SG 10761</b> End cover		<b>SG 4945</b> End stop set
			<b>SG 4946</b> Side guide wire rope fastener
			<b>SG 4947</b> Side guide wire rope fastener
			<b>SG 4948</b> Side guide wire ø 1.5 mm
			<b>SG 4951</b> Bottom weight ø 8 mm
			<b>SG 4957</b> Tube ø 110 mm
			<b>SG 4958</b> Tube adapter
			<b>SG 4961</b> Tube adapter
			<b>SG 4965</b> End stop flange
			<b>SG 4972</b> Installation plate



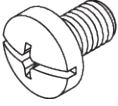
---

**SG 10502**

---

*Countersunk head screw M4x6*

---



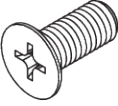
---

**SG 10504**

---

*Pan head screw Freedrive M5x8*

---



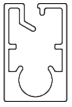
---

**SG 10508**

---

*Countersunk head screw M5x12*

---



---

**SG 10770**

---

*Bottom bar*

---



---

**SG 10771**

---

*End cover*

---



---

**SG 11178**

---

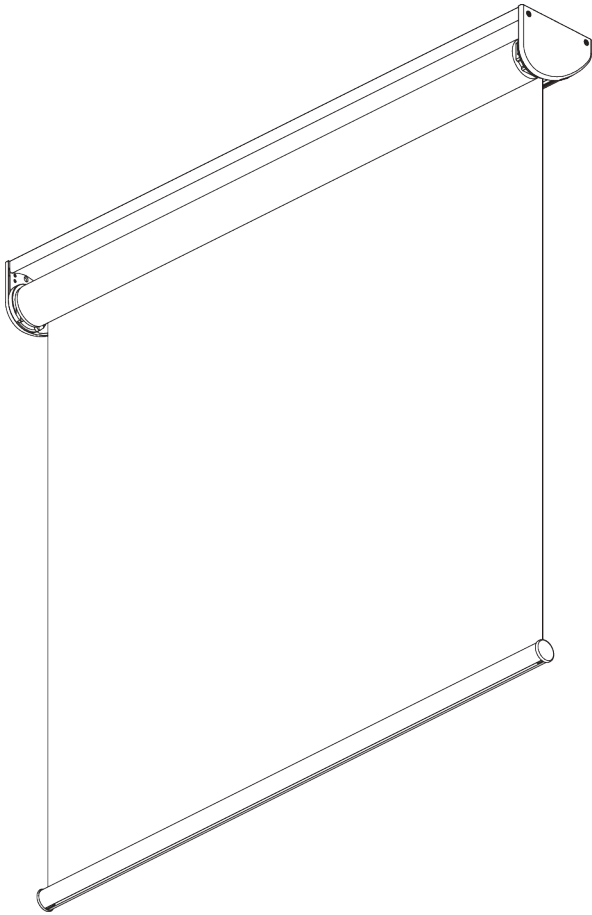
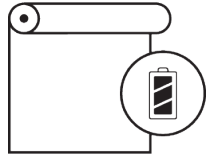
*End cover*

---



# SG 4955

---



## PRODUCT INFORMATION

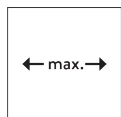
- **Operation:** motorised (battery operated)
- **Range:** S - M
- **Fitting:** ceiling, wall, recess
- **Colours:** white RAL 9016 or anodised aluminum, special colours possible
- **Fabrics:** refer to Silent Gliss fabric collection

### **Features:**

- Various control options
- Easy exchange of batteries
- Click-in brackets
- Installation profile

# SYSTEM SPECIFICATIONS

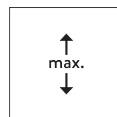
## A. SYSTEM DIMENSIONS



2.4 m



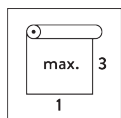
60 cm



4 m



2.5 kg



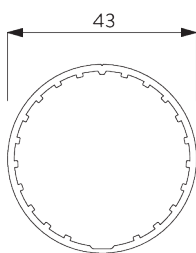
Recommended width /  
height ratio  
max. 1:3

## Maximum system drop

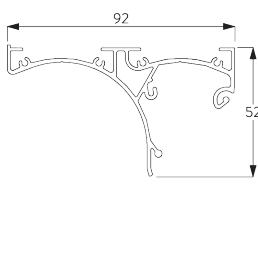
Fabric thickness	mm	0.15	0.20	0.25	0.30	0.35	0.40	0.45	0.50	0.55	0.60	0.65	0.70	0.75	0.80
Max. system drop	cm	400	400	400	400	400	400	390	350	320	290	270	250	230	220

## B. PROFILE

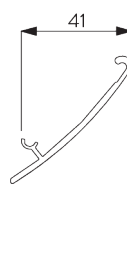
### Profile information



**SG 10532**  
Tube ø 43 mm



**SG 11081**  
Profile

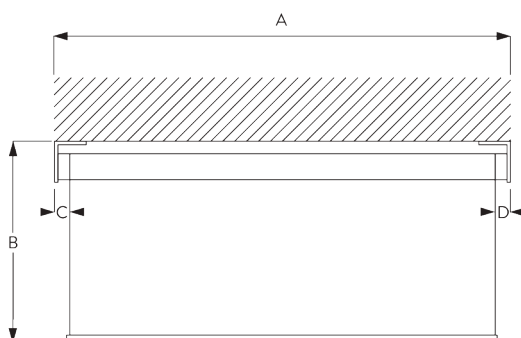


**SG 11082**  
Profile



**SG 10872**  
Bottom bar

## C. HOW TO MEASURE



A: System width  
B: System height  
C: Light gap: 14 mm  
D: Light gap operation side: 17 mm



## **D. SPECIFICATION**

### **TEXT**

#### **EN**

*Silent Gliss SG 4955 Battery Operated Roller Blind System. Roller blind. Roller blind system for light to medium size blind applications up to 2.4 m wide. Supplied made to measure and complete comprising anodised aluminium barrel SG 10532 and profile cover SG 11081 with lid SG 11082. Fixed to wall / ceiling / inside recess with clamp SG 3044 or direct fixed with installation support plate SG 11086. Integral motor SG 11076 with battery pack concealed in fascia profile. Powered by 8no. lithium AA cells. Round bottom bar SG 4221 in powder coated white Operation by remote control, hand held or wall switch. Fabric from Silent Gliss fabric programme P1-4.*

#### **SV**

*Silent Gliss SG 4955 batteridrivet rullgardinsystem. Rullgardinsystem för installationer upp till 2.4 m bredd. Levereras komplett i specificerat mått innefattande aluminium rör SG 10532 och profil täcksidor SG 11081 m. frontlock SG 11082. Vägg/tak och nischmontering med fästen SG 3044 eller direktmonterad med stödplatta SG 11086. Motor SG 11087 med batteripack gömd i kassetten. Drivs med 8 st lithium AA batterier. Monterad rund tyngdprofil i aluminium SG 4221 i vitt. Styrning med handhållen eller väggmonterad fjärrkontroll. Textil från Silent Gliss textilprogram P1-4.*

#### **NO**

*Silent Gliss SG 4955 Batteridrevet rullegardinsystem. Rullegardinsystem for maks. bredde på 2,4 meter. Leveres komplett på spesialmål med anodisert rør SG 10532 og dekkside SG 11081 m/frontdeksel SG 11082. Tak-,vegg- og nischmontering med feste SG 3044 eller direkte monterert med støtteplate SG 11086. Motor SG 11087 med batteripakke skjult i kassetten, Drives med 8 stk lithium AA batterier. Leveres med rund tyngdeprofil i hvit. Styring med fjernkontroll eller veggmontert fjernkontroll. Tekstil fra Silent Gliss kolleksjon i prisgruppe 1-4.*

#### **DA**

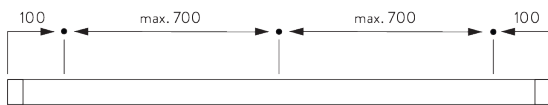
*Silent Gliss SG 4955 batteridrevet rullegardinsystem. Rullegardiner. Rullegardinsystem til lette til mellem installationer med op til 2,4 m bredde. Leveres i ønsket længde og samlet, bestående af anodiseret aluminiumrør SG 10532 og profilafdækning SG 11081 med låg SG 11082. Fastgjort til væg / loft / indfældet med klemme SG 3044 eller direkte fastgjort med installationsstøtteplade SG 11086. Integreret motor SG 11076 med batteripakke gemt i kassetten. Drevet af 8 stk. litium AA-batterier. Rund tyngdeprofil SG 4221 med hvis pulverlakering. Styres af fjernbetjening, håndholdt eller vægkontakt. Tekstil from Silent Gliss tekstil programme P1-4.*

# FITTING

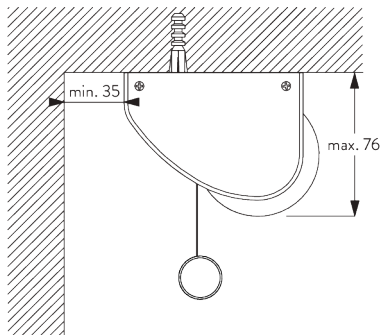
## A. FITTING INFORMATION

For detailed fitting information, visit the [Silent Gliss website](#).

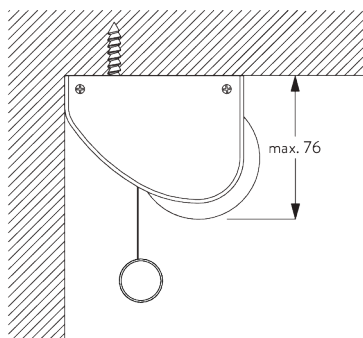
### Fixing points



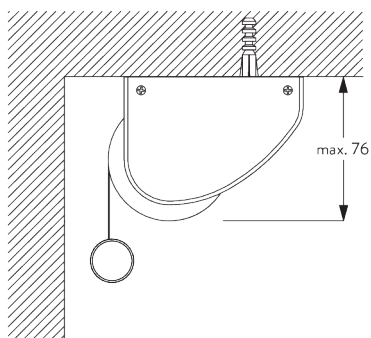
## B. CEILING FITTING



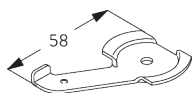
**Clamp SG 3044**



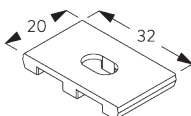
**Direct fitting**



**Reversed fitting**

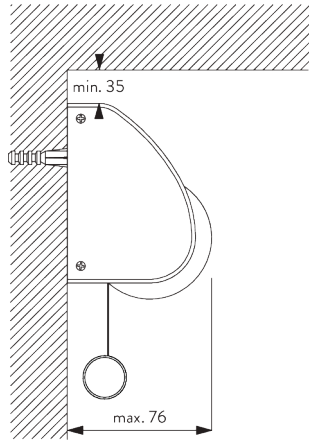


**SG 3044**  
Clamp

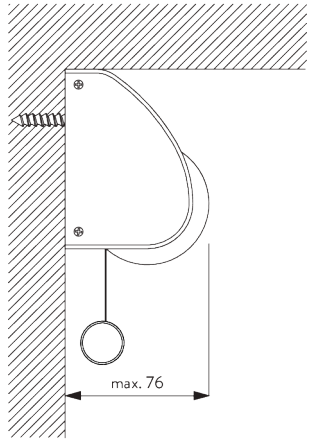


**SG 11086**  
Installation support plate

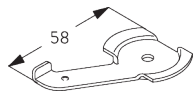
### C. WALL FITTING



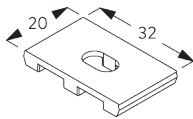
**Clamp SG 3044**



**Direct fitting**

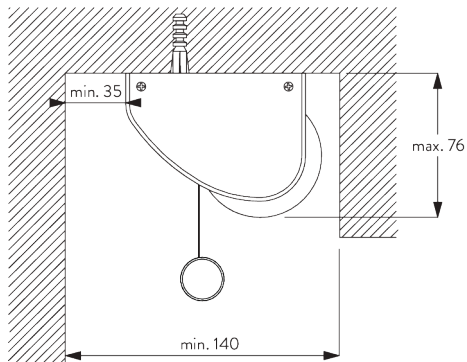


**SG 3044**  
Clamp

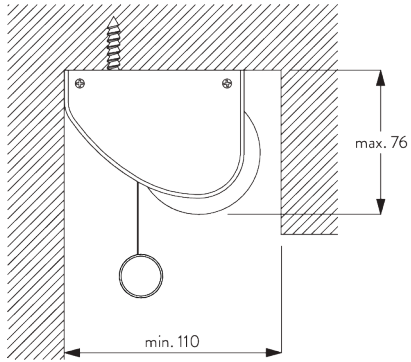


**SG 11086**  
Installation support plate

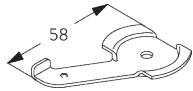
### D. RECESS FITTING



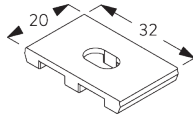
**Clamp SG 3044**



**Direct fitting**



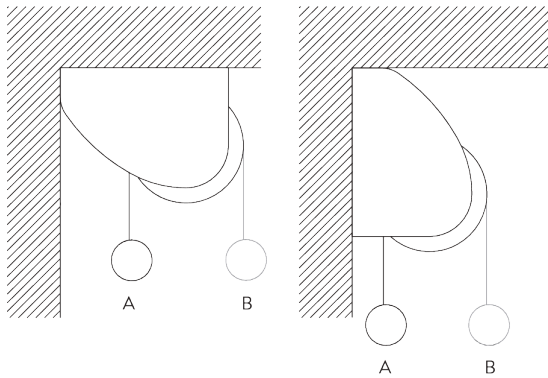
**SG 3044**  
Clamp



**SG 11086**  
Installation support plate

# SYSTEM FEATURES

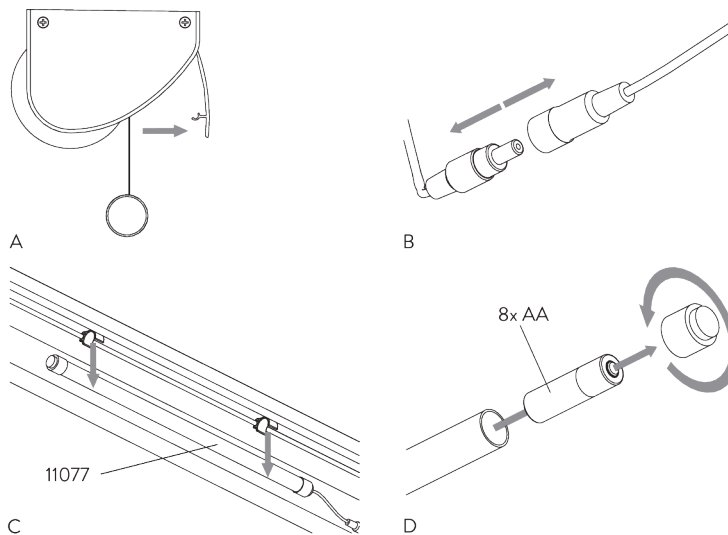
## A. FABRIC ROLL-OFF



A: Fabric roll-off window side (standard)

B: Fabric roll-off room side (option)

## B. BATTERY EXCHANGE



# MOTOR & CONTROLS

## A. MOTOR FEATURES

Motor	SG 11076
-------	----------

### Motor Features

Soft start / stop	●
Built-in receiver	●
Electronic end-stop	●
Electronic revolution counter (unlimited revolution)	●
IP class	IP 44

### Control Features

SG Control A	●
--------------	---

## B. MOTOR SPECIFICATIONS

Motor	Light gaps C / D = driving side	Min. system width	Voltage	Current	Speed	Frequency receiver
SG 11076	C: 14 mm / D: 17 mm	60 cm	12 V DC	0.55 A	30 rpm	433 MHz

## C. OPERATION METHODS

See catalogue "controls" for details.


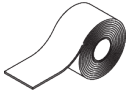
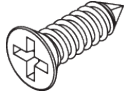
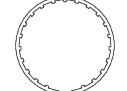
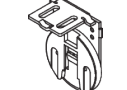


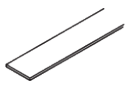
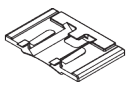



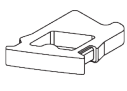

### SG Control A


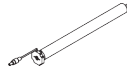
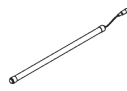





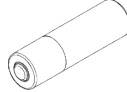



Various radio hand-held and wall transmitters available.






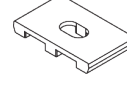
# PARTS

## A. STANDARD PARTS

	<b>SG 3044</b> Clamp
	<b>SG 4226</b> Double tape 30 mm
	<b>SG 10498</b> Countersunk screw 2.9x9.5
	<b>SG 10532</b> Tube ø 43 mm
	<b>SG 10543</b> Bracket
	<b>SG 10544</b> Bracket
	<b>SG 10557</b> Tube adapter
	<b>SG 10668</b> PVC strip 10 mm
	<b>SG 10690</b> Spacer
	<b>SG 10872</b> Bottom bar
	<b>SG 10874</b> End cover
	<b>SG 10946</b> Radio hand held 1 channel
	<b>SG 11039</b> Cable protector
	<b>SG 11072</b> Motor drive

	<b>SG 11075</b> Tube adapter
	<b>SG 11076</b> Motor 12V DC, 1.2/30
	<b>SG 11077</b> Battery box
	<b>SG 11081</b> Profile
	<b>SG 11082</b> Profile
	<b>SG 11083</b> End cover right
	<b>SG 11084</b> End cover left
	<b>SG 11085</b> Battery box holder
	<b>SG 11099</b> AA Energizer Ultimate lithium batteries
	<b>SG 11103</b> Warning sticker

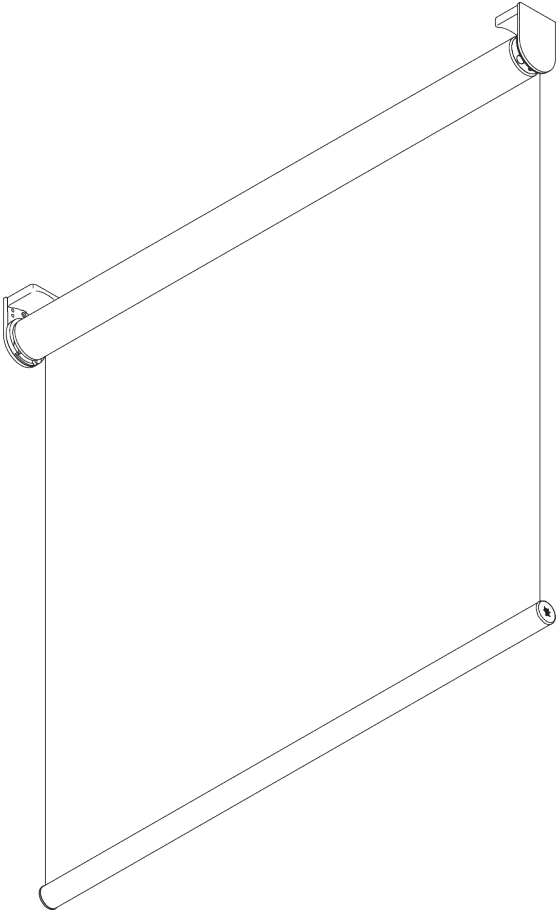
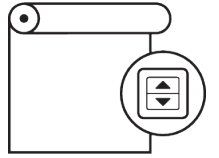
## B. OPTIONAL PARTS

	<b>SG 10947</b> Radio hand held 2+1 channel
	<b>SG 10948</b> Radio hand held 6+1 channel
	<b>SG 10949</b> Radio wall transmitter 1 channel
	<b>SG 10950</b> Radio wall transmitter 2 channel
	<b>SG 10951</b> Radio wall transmitter 5+1 channel
	<b>SG 11086</b> Installation support plate



# SG 4960

---



## **PRODUCT INFORMATION**

- **Operation:** motorised
- **Range:** S - M
- **Fitting:** ceiling, wall, recess
- **Colours:** white RAL 9016, grey RAL 7035, black RAL 9005; special colours possible
- **Fabrics:** refer to Silent Gliss fabric collection

### **Features:**

- Quiet and fast motors, soft stop
- Various control options
- Two connected systems
- Click-in brackets
- Fascia, box, installation profile

# SYSTEM SPECIFICATIONS

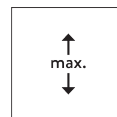
## A. SYSTEM DIMENSIONS



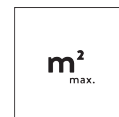
Single system: 2.4 m  
Double system: 4.8 m



61 cm\*  
\*see motor specification table



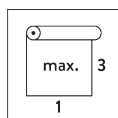
4 m



Single system: 9.6 m<sup>2</sup>  
Double system: 19.2 m<sup>2</sup>



5.5 kg



Recommended width /  
height ratio  
max. 1:3

## Maximum system drop

### Wall fitting (system drop on window side)

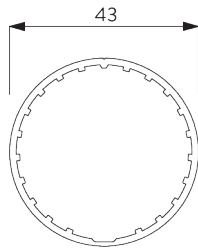
Fabric thickness	mm	0.15	0.20	0.25	0.30	0.35	0.40	0.45	0.50	0.55	0.60	0.65	0.70	0.75	0.80
Max. system drop	cm	400	400	400	400	400	400	390	350	320	290	270	250	230	220

### Ceiling fitting / wall fitting (system drop on room side)

Fabric thickness	mm	0.15	0.20	0.25	0.30	0.35	0.40	0.45	0.50	0.55	0.60	0.65	0.70	0.75	0.80
Max. system drop	cm	400	400	400	400	400	400	400	400	400	380	350	330	300	280

## B. PROFILE

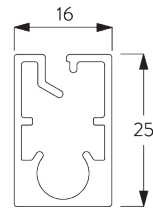
### Profile information



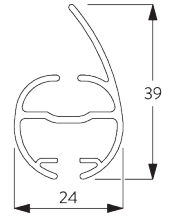
**SG 10532**  
Tube ø 43 mm



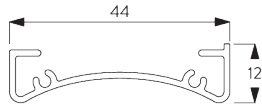
**SG 10760**  
Bottom bar



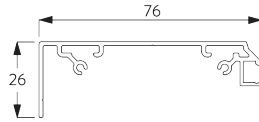
**SG 10770**  
Bottom bar



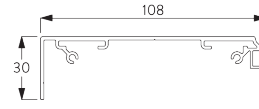
**SG 4903**  
Bottom bar



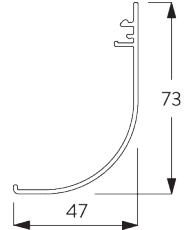
**SG 10534**  
Installation profile



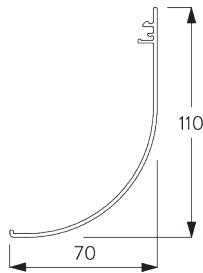
**SG 11430**  
Installation profile fascia 73 mm



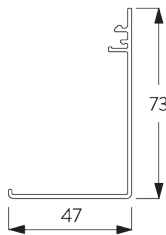
**SG 11530**  
Installation profile fascia 110 mm



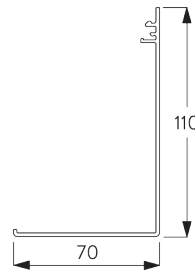
**SG 11431**  
Fascia round 73 mm



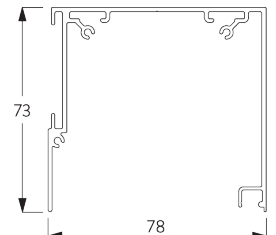
**SG 11531**  
Fascia round 110 mm



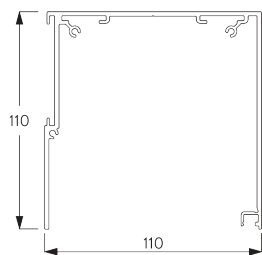
**SG 11432**  
Fascia square 73 mm



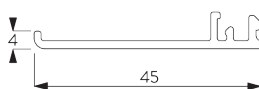
**SG 11532**  
Fascia square 110 mm



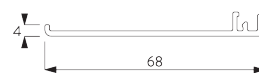
**SG 11433**  
Box case 73 mm



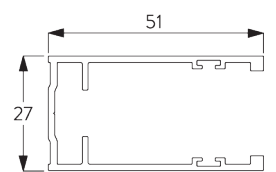
**SG 11533**  
Box case 110 mm



**SG 11434**  
Box cover 73 mm



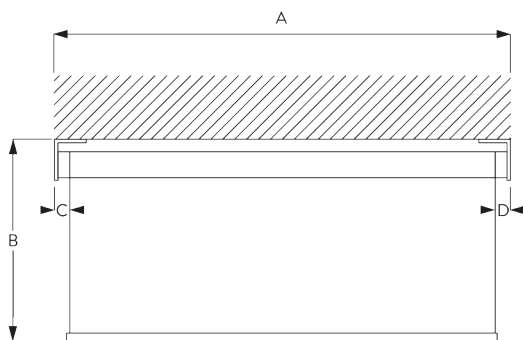
**SG 11534**  
Box cover 110 mm



**SG 11542**  
Side guide channel

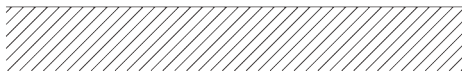
**C. HOW TO  
MEASURE**

*incl. bracket covers*

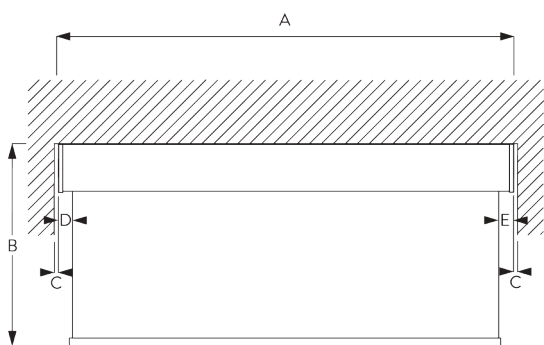


- A: System width
- B: System height
- C: Light gap: 13 mm
- D: Light gap operation side: 19 mm

Note:  
Different light gaps see motor specifications.  
All measurements include 2 mm for bracket cover per side!



**Fascia / Box**

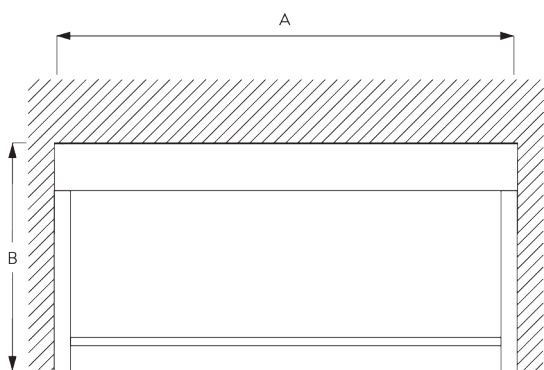


- A: System width
- B: System height
- C: Gap: min. 10 mm (when cover is used)\*
- D: Light gap: 15 mm
- E: Light gap operation side: 21 mm

Note:  
Different light gaps see motor specifications.  
\*Possible to make Fascia wider than system to reduce gap between wall and system.



**Fascia / Box with Side Profiles SG 11542**



- A: System width
- B: System height

## D. SPECIFICATION

### TEXT

#### EN

Silent Gliss SG 4960 Electrically Operated Roller Blind System. Roller blind system for applications up to 2.4 m wide. Supplied made to measure and complete comprising anodised aluminium barrel SG 10532, 41 mm. Fixed to wall / ceiling / inside recess with brackets SG 10542 / SG 10543 and bracket covers SG 10574 / SG 10575. Optional installation profile SG 10534 for easy installation with clamps SG 10539. Brackets and hardware in white / grey / black finish. Assembled with powder coated white, alu or black finish aluminium bottom weight bar SG 4221 / SG 10633 / SG 10634. Connected system possible. Optional side guide wires. Integral 230V motor SG 10320 / (SG 10321 with radio receiver) left / right side. Operation by mains switch (not supplied), by remote control or mains switching by third party control system. All wiring to be strictly in accordance with Silent Gliss wiring diagrams. Fabric to be chosen from the Silent Gliss fabric range, Price Group 1-4.

#### SV

Silent Gliss SG 4960 rullgardinsystem med motor. Rullgardinsystem för installationer upp till 2.4 m bredd. Levereras komplett i specificerat mått innefattande anodiserat rör SG 10532, 41 mm. Vägg/tak och nischmontering med fästen SG 10542 / SG 10543 och täckplattor SG 10574 / SG 10575 i vitt / alu eller svart. Alternativt med installationsprofil SG 10534 som monteras med fästen SG 10539. Sidewire som tillbehör. Dubbelsystem möjligt. Monterad pulverlackerad tyngdprofil i aluminium i finish vitt / alu / svart med SG 4221 / SG 10633 / SG 10634. Integrerad 230V motor SG 10320 / (SG 10321 radiomottagare) vänster / höger sida. Styrning via väggkontakt (ej inkluderad), via fjärrkontroll eller via externt styrsystem. All elinstallation skall följa Silent Gliss kopplingsschema. Textil från Silent Gliss textilprogram i prisgrupp 1-4.

#### NO

Silent Gliss SG 4960 Rullegardinsystem med motor. Rullegardinsystem for maks. bredde på 2,4 meter. Leveres komplett på spesialmål med anodisert rør integrert, SG 10532, 41 mm. Tak-, vegg- og nishmontering med feste SG 10542 / SG 10543 samt dekkplate SG 10574 / SG 11175 i hvit, alu eller svart. Alternativt monteringsprofil SG 10534 som monteres med feste SG 10534. Sidewire som tilbehør. Dobbelsystem mulig. Monteret tyngdeprofil i pulverlakkert aluminium i hvit / alu / svart med SG 4221 / SG 10633 / SG 10634. Integrert 230V motor SG 10320 / (SG 10321 radiomottaker) venstre eller høyre side. Styring med veggkontakt (ikke inkl.), via fjernkontroll eller eksternt styrsystem. Alle elektriske installasjoner skal gjøres i.h.t. Silent Gliss koblingskjema. Tekstil fra Silent Gliss kolleksjon i prisgruppe 1-4.

#### DA

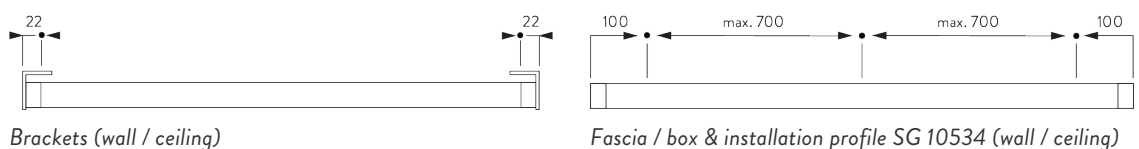
Silent Gliss SG 4960 elektrisk rullegardinsystem. Rullegardinsystemer til installationer med op til 2,4 m bredde. Leveres i ønsket længde og samlet. Består af anodiseret aluminiumrør SG 10532, 41 mm. Fastgøres i væggen / loftet / indfældes med beslagene SG 10542 / SG 10543 og beslagafdækningerne SG 10574 / SG 10575. Alternativt med installationsprofil SG 10534 for nem installation med klemmerne SG 10539. Beslag og armaturer i hvid / alu / sort finish. Samlet med pulverlakeret hvid, alu eller sort finish tyngdeprofil af aluminium SG 4221 / SG 10633 / SG 10634. Mulighed for tilsluttet system. Sidewirer som tilbehør. Integreret 230 V motor SG 10320 / (SG 10321 med radiomdtager) venstre / højre side. Styres med lysnetkontakt (medfølger ikke), med fjernbetjening eller lysnetkontakt fra tredjepart system. Al ledningsføring skal udelukkende vælges i henhold til Silent Gliss ledningsdiagrammer. Stoffet vælges fra Silent Gliss stofprogrammet, prisgruppe 1-4.

# FITTING

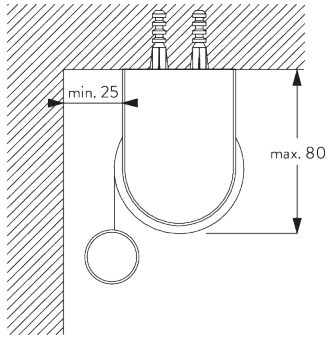
## A. FITTING INFORMATION

### Fixing points

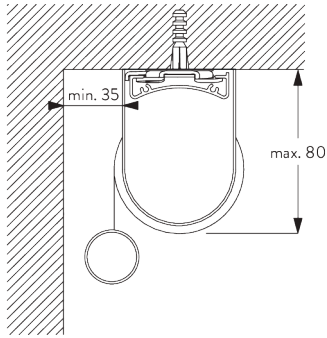
For detailed fitting information, visit the Silent Gliss website.



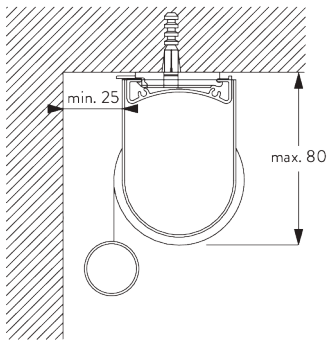
## **B. CEILING FITTING**



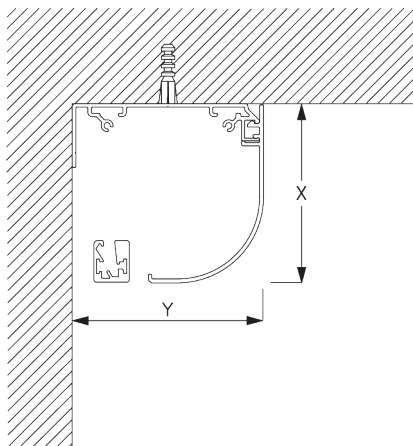
**Brackets**



**Installation profile SG 10534 and clamps SG 3033 or SG 3044**

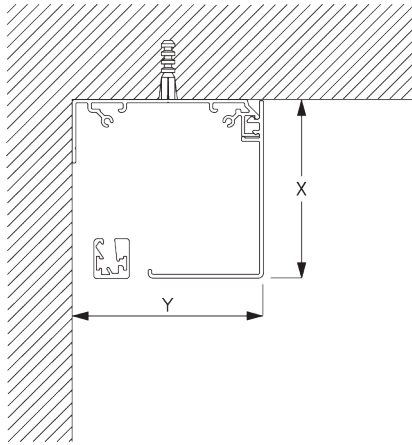


**Installation profile SG 10534 and click bracket SG 10539**  
*Not possible with two connected systems!*



**Fascia round**

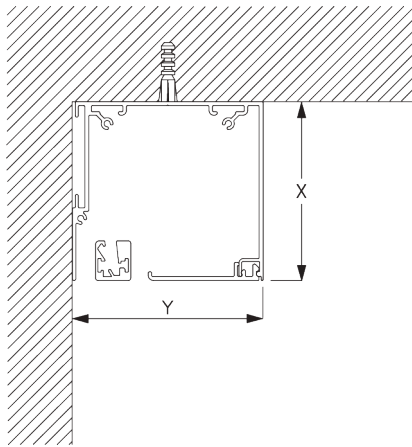
X = Fascia S 73 mm / Fascia L 110 mm  
Y = Fascia S 78 mm / Fascia L 110 mm



**Fascia square**

X = Fascia S 73 mm / Fascia L 110 mm

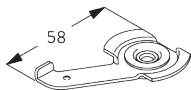
Y = Fascia S 78 mm / Fascia L 110 mm



**Box**

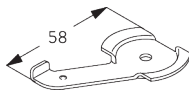
X = Box S 73 mm / Box L 110 mm

Y = Box S 78 mm / Box L 110 mm



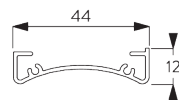
**SG 3033**

Clamp



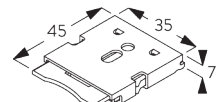
**SG 3044**

Clamp



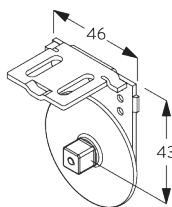
**SG 10534**

Installation profile



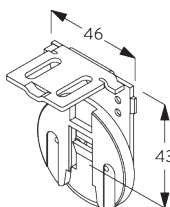
**SG 10539**

Bracket



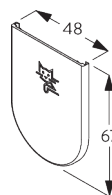
**SG 10542**

Bracket



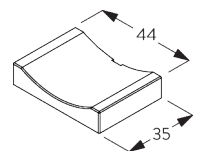
**SG 10543**

Bracket



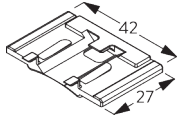
**SG 10574**

Bracket cover



**SG 10575**

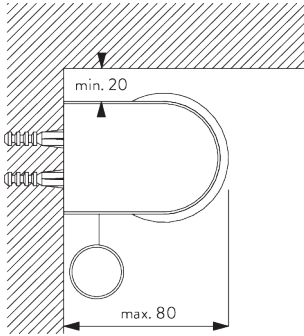
Bracket cover



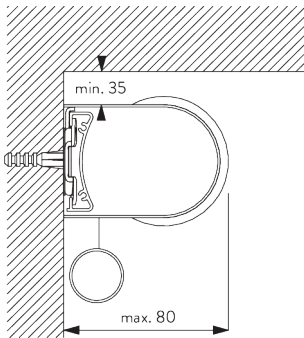
**SG 10690**

Spacer

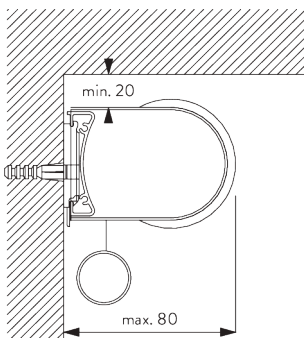
## C. WALL FITTING



**Brackets**

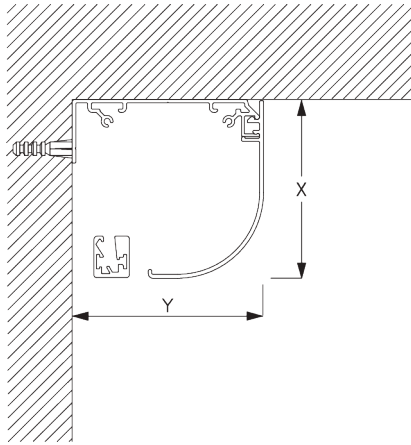


**Installation profile SG 10534 and clamps SG 3033 or SG 3044**



**Installation profile SG 10534 and click bracket SG 10539**  
 Not possible with two connected systems!

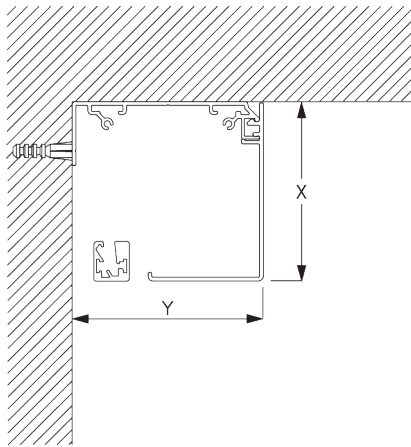




**Fascia round**

X = Fascia S 73 mm / Fascia L 110 mm

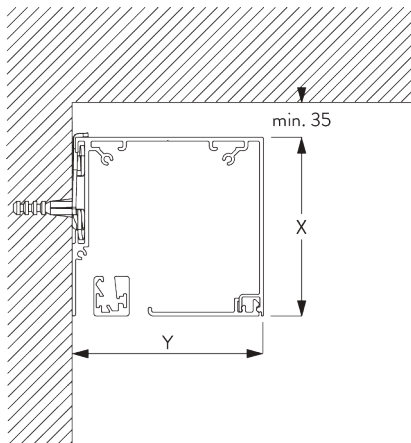
Y = Fascia S 78 mm / Fascia L 110 mm



**Fascia square**

X = Fascia S 73 mm / Fascia L 110 mm

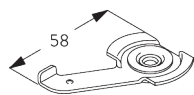
Y = Fascia S 78 mm / Fascia L 110 mm



**Box S and clamp SG 3044 / Box L and clamp SG 11180**

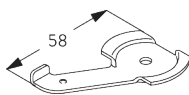
X = Box S 73 mm / Box L 110 mm

Y = Box S 78 mm / Box L 110 mm



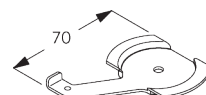
**SG 3033**

Clamp



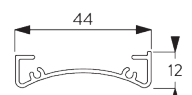
**SG 3044**

Clamp



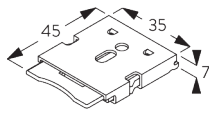
**SG 11180**

Clamp

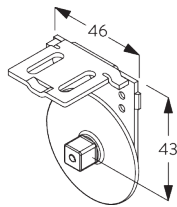


**SG 10534**

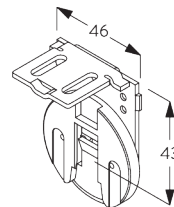
Installation profile



**SG 10539**  
Bracket



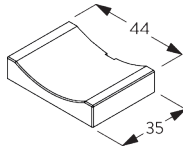
**SG 10542**  
Bracket



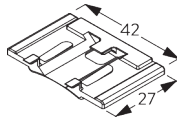
**SG 10543**  
Bracket



**SG 10574**  
Bracket cover

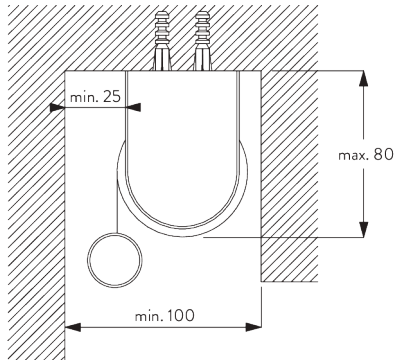


**SG 10575**  
Bracket cover

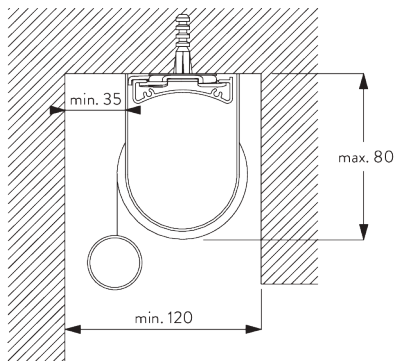


**SG 10690**  
Spacer

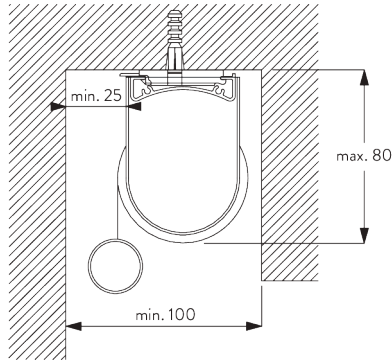
## D. RECESS FITTING



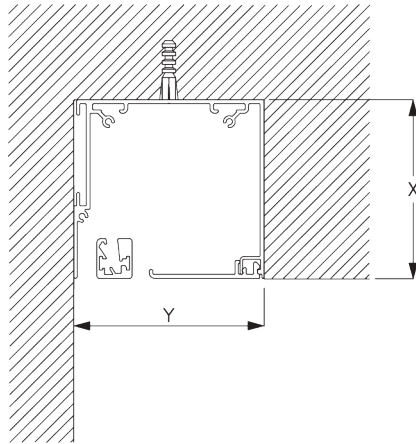
**Brackets**



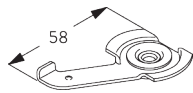
**Installation profile SG 10534 and clamps SG 3033 or SG 3044**



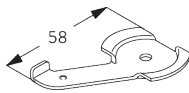
**Installation profile SG 10534 and click bracket SG 10539**  
 Not possible with two connected systems!



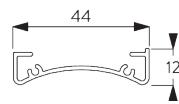
**Box**  
 X = Box S 73 mm / Box L 110 mm  
 Y = Box S min. 79 mm / Box L min. 111 mm



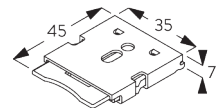
**SG 3033**  
 Clamp



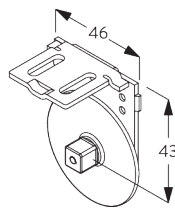
**SG 3044**  
 Clamp



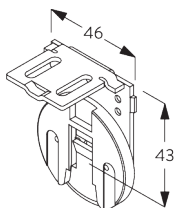
**SG 10534**  
 Installation profile



**SG 10539**  
 Bracket



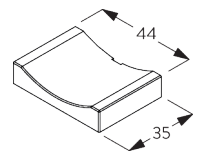
**SG 10542**  
 Bracket



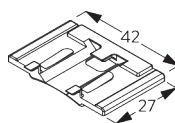
**SG 10543**  
 Bracket



**SG 10574**  
 Bracket cover

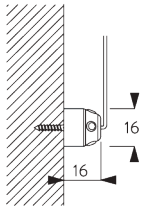
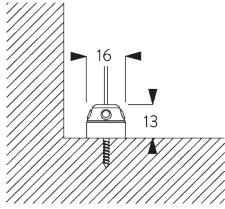


**SG 10575**  
 Bracket cover

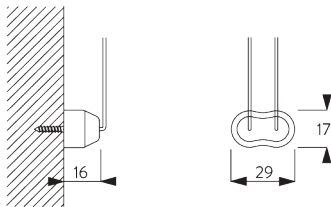
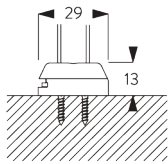


**SG 10690**  
 Spacer

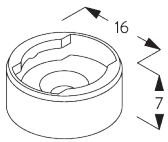
**E. FITTING WITH  
SIDE GUIDE  
OPTION**



**Single system**

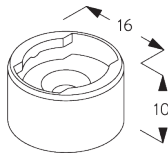


**Double system (side-by-side installation)**



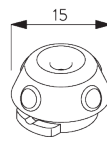
**SG 8235**

Side guide wire base short



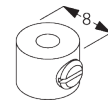
**SG 8236**

Side guide wire base long



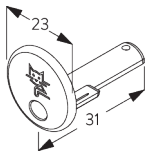
**SG 8237**

Side guide wire holder



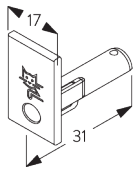
**SG 8249**

Side guide device



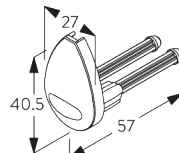
**SG 10762**

Side guide end cover



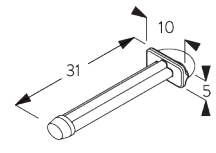
**SG 10772**

Side guide end cover



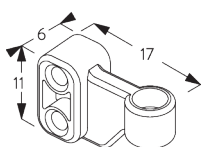
**SG 4944**

Side guide end cover



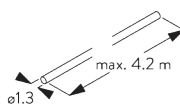
**SG 10641**

Side guide eyelet



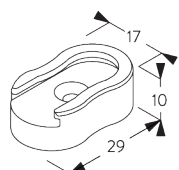
**SG 10642**

Side guide wire holder



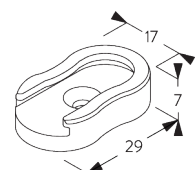
**SG 10643**

Side guide wire ø 1.3 mm x 4.2 m



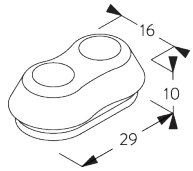
**SG 10669**

Side guide double base long

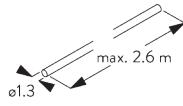


**SG 10673**

Side guide double base short



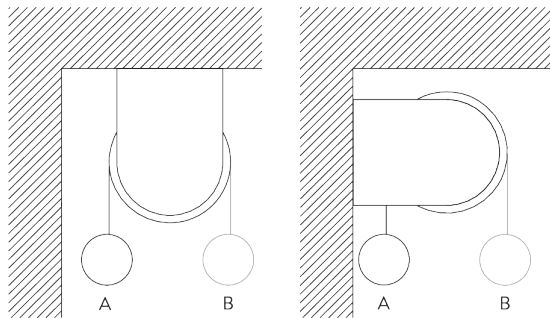
**SG 10701**  
Side guide double wire holder



**SG 10706**  
Side guide wire  $\varnothing$  1.3 mm x 2.6 m

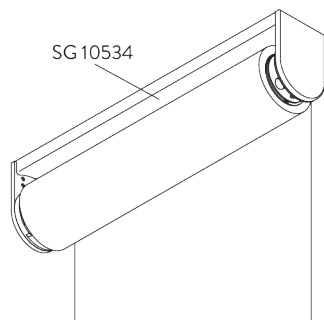
## SYSTEM OPTIONS

### A. FABRIC ROLL-OFF

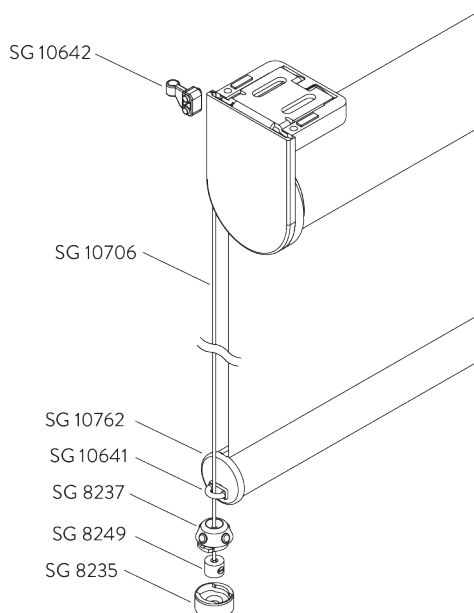


A: Fabric roll-off window side (standard)  
B: Fabric roll-off room side (option)

### B. INSTALLATION PROFILE



## C. SIDE GUIDES



### Additional parts:

- 2x SG 8235 Side guide wire base short
- 2x SG 8237 Side guide wire holder
- 2x SG 8249 Side guide device
- 2x SG 10762 Side guide end cover round
- 2x SG 10641 Side guide eyelet
- 2x SG 10642 Side guide wire holder
- 2x SG 10706 Side guide wire  $\varnothing$  1.3 mm x 2.6 m

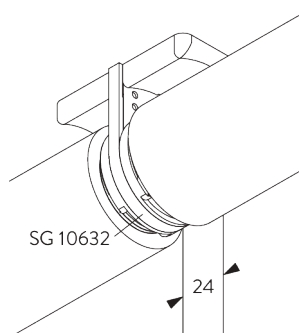
### Optional parts:

- 2x SG 8236 Side guide wire base long
- 2x SG 10772 Side guide end cover square
- 2x SG 10643 Side guide wire  $\varnothing$  1.3 mm x 4.2 m
- 1x SG 10669 Side guide double base long
- 1x SG 10673 Side guide double base short
- 1x SG 10701 Side guide double wire holder

### Note:

- Light gaps increase when side-guide option is used
- Up to 15° from vertical

## D. TWO CONNECTED SYSTEMS



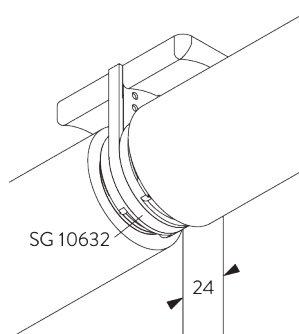
### Additional parts:

- 1x SG 10558 Connection tube adapter
- 2x SG 10626 Connection bracket
- 2x SG 10627 Connection flange
- 1x SG 10628 Connection tube adapter
- 1x SG 10632 Connection bracket cover

### Note:

- Not possible with 24 V motor SG 10692!

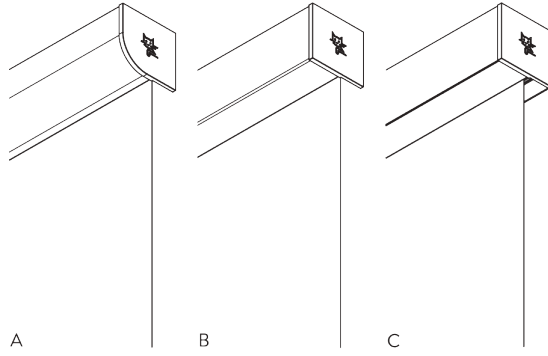
## E. TWO SINGLE SYSTEMS SIDE-BY-SIDE



### Additional parts:

- 1x SG 10632 Connection bracket cover

## F. FASCIA / BOX



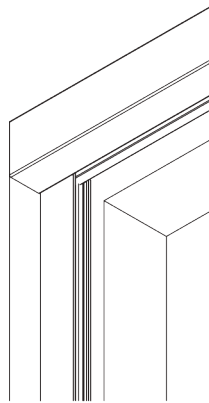
A: Fascia round  
B: Fascia square  
C: Box

### Size

- S: 78 x 73 mm
- L: 110 x 110 mm

### Note:

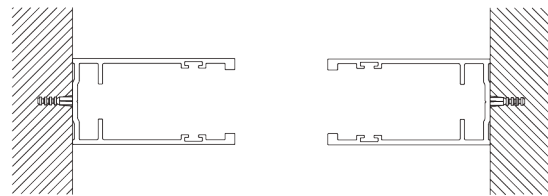
- Only applicable with bottom bar SG 11442
- Not possible with connected systems
- Two systems with one Fascia possible upon request



Optional side guide channels SG 11542 to be used with Fascia or Box.

### Note:

- Only applicable with inside fitting
- Box: only recess fitting



# MOTORS & CONTROLS

## A. MOTOR FEATURES

	50-Series	20-Series	20-Series	10-Series K	5-Series	24 V DC
Motors	SG 11250	SG 10321	SG 10320	SG 10514	SG 10715	SG 10692

### Motor Features

Soft stop	•	•	•			
Electronic end-stop	•	•	•			•
Electronic revolution counter (unlimited revolution)	•	•	•			•
Mechanical end-stop				•	•	
Mechanical revolution counter (limited revolution)				•	•	
Two intermediate positions possible		•				
Bottom bar alignment	•					
Noiseless stop		•	•	•		•
Parallel wiring possible without additional relays		•	•			
Disconnectable motor cable	•	•	•			
IP class	IP 30	IP 44	IP 44	IP 44	IP 44	IP 30

### Control Features

Mains power control		•	•	•	•	
Dry contact control						•
SG Control L (built-in receiver)		•				
Smart by Silent Gliss	•					
Suitable for most major home automation systems (with suitable interface)		•	•	•	•	•

## B. MOTOR SPECIFICATIONS

Motors	Light gaps* C / D = driving side	Min. system width	Voltage	Current	Frequency	Speed	Frequency receiver
<b>50-Series (Smart by Silent Gliss)</b>							
SG 11250	C: 9 mm / D: 26 mm	61 cm	24 V DC	1.8 A	-	55 rpm	-
<b>20-Series</b>							
SG 10320 (standard)	C: 13 mm / D: 19 mm	61 cm	230 V AC	0.55 A	50 Hz	70 rpm	-
SG 10321	C: 13 mm / D: 19 mm	61 cm	230 V AC	0.55 A	50 Hz	70 rpm	868/915 MHz
<b>10-Series K</b>							
SG 10514	C: 9 mm / D: 25 mm	50 cm	230 V AC	0.52 A	50 Hz	30 rpm	-
<b>5-Series</b>							
SG 10715	C: 9 mm / D: 25 mm	61 cm	230 V AC	0.485 A	50-60 Hz	28 rpm	-
<b>24 V DC</b>							
SG 10692	C: 13 mm / D: 19 mm	50 cm	24 V DC	0.7 A	-	25 rpm	-

\*Light gaps Fascia or Box: C +2 mm / D +2 mm

## C. OPERATING METHODS

See catalogue "controls" for details.



Wall Switch



System can be operated by fixed wall switch.

SG Control L



Various radio hand-held and wall transmitters available.



Silent Gliss Move App.

Smart by Silent Gliss



Open designed two-way communication system which allows to flawlessly integrate products with most major building management systems.

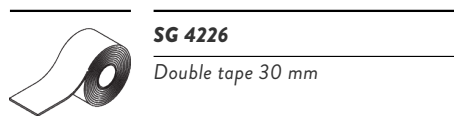
**D. WIRING**  
**DIAGRAMS**



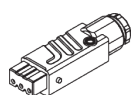
Refer to Silent Gliss website.

# PARTS

## A. STANDARD PARTS



**SG 4226**  
Double tape 30 mm



**SG 9917**  
Hirschmann portable socket-outlet STAK 3 N



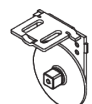
**SG 10284**  
O-Ring



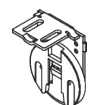
**SG 10320**  
Tubular motor 230V AC, 20 Series S 1.5/70



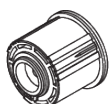
**SG 10532**  
Tube ø 43 mm



**SG 10542**  
Bracket



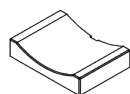
**SG 10543**  
Bracket



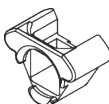
**SG 10557**  
Tube adapter



**SG 10574**  
Bracket cover



**SG 10575**  
Bracket cover



**SG 10620**  
Motor flange 10/20-Series



**SG 10621**  
Tube adapter



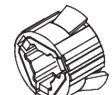
**SG 10668**  
PVC strip 10 mm



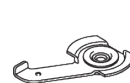
**SG 10760**  
Bottom bar



**SG 10761**  
End cover



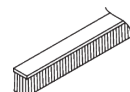
**SG 11354**  
Motor drive 10/20-Series



**SG 3033**  
Clamp



**SG 3044**  
Clamp



**SG 4508**  
Brush 5x7 mm



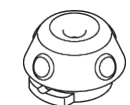
**SG 4903**  
Bottom bar



**SG 8235**  
Side guide wire base short



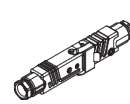
**SG 8236**  
Side guide wire base long



**SG 8237**  
Side guide wire holder



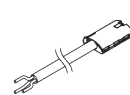
**SG 8249**  
Side guide device



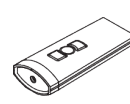
**SG 9916**  
Hirschmann plug set



**SG 10139**  
Countersunk screw 2.9x6.5



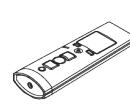
**SG 10293**  
Cable 230V AC, 2/3/5/10 m



**SG 10300**  
Radio hand held 1 channel

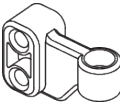








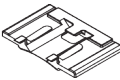
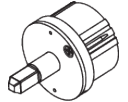
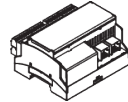


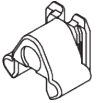
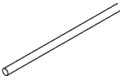
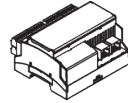
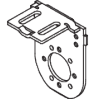
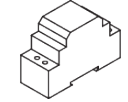
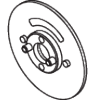

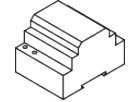

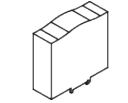

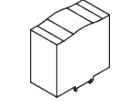
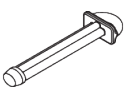
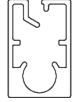


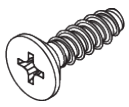
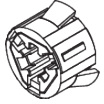
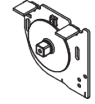
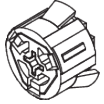
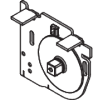
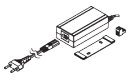
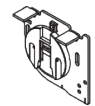
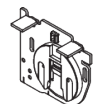
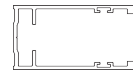
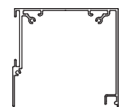
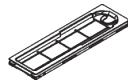
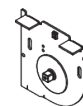
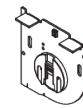
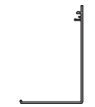
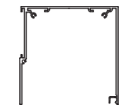
**SG 10302**  
Radio hand held 5+1 channel



**SG 10303**  
Radio hand held 10+2+1 channel

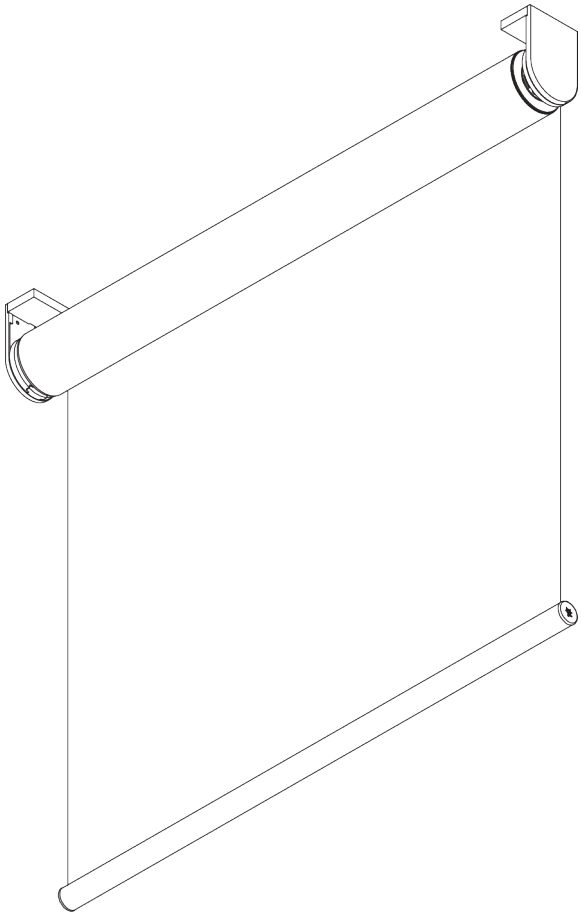
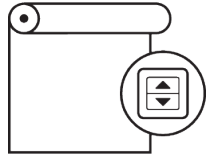
## B. OPTIONAL PARTS

	<b>SG 10321</b> Tubular motor 230V AC, 20 Series S 1.5/70, radio receiver		<b>SG 10642</b> Side guide wire holder		<b>SG 10771</b> End cover
	<b>SG 10498</b> Countersunk screw 2.9x9.5		<b>SG 10643</b> Side guide wire ø 1.3 mm x 4.2 m		<b>SG 10772</b> Side guide end cover
	<b>SG 10514</b> Tubular motor 230V AC, 10 Series S 3/30 K		<b>SG 10651</b> Connection flange		<b>SG 10804</b> Radio hand held 15+5+1 channel
	<b>SG 10534</b> Installation profile		<b>SG 10669</b> Side guide double base long		<b>SG 11178</b> End cover
	<b>SG 10539</b> Bracket		<b>SG 10673</b> Side guide double base short		<b>SG 11180</b> Clamp
	<b>SG 10544</b> Bracket		<b>SG 10690</b> Spacer		<b>SG 11250</b> Smart motor 24V DC, 50-Series S 1.5/55
	<b>SG 10558</b> Connection tube adapter		<b>SG 10692</b> Motor 24 V DC, 2/38		<b>SG 11260</b> Gateway Cedia
	<b>SG 10622</b> Tube adapter, 24V DC motor		<b>SG 10701</b> Side guide double wire holder		<b>SG 11261</b> Gateway KNX
	<b>SG 10625</b> Motor flange, 10/20-Series		<b>SG 10706</b> Side guide wire ø 1.3 mm x 2.6 m		<b>SG 11262</b> Expansion unit
	<b>SG 10626</b> Connection bracket		<b>SG 10708</b> Adapter set, 24 V DC		<b>SG 11263</b> Power supply 24V DC, 2 Ampere DIN Rail
	<b>SG 10627</b> Connection flange		<b>SG 10715</b> Tubular motor 230V AC, 5 Series S 6/28		<b>SG 11264</b> Power supply 24V DC, 3.8 Ampere DIN Rail
	<b>SG 10628</b> Connection tube adapter		<b>SG 10753</b> Motor plate		<b>SG 11265</b> Power supply 24V DC, 5 Ampere DIN Rail
	<b>SG 10632</b> Connection bracket cover		<b>SG 10762</b> Side guide end cover		<b>SG 11266</b> Power supply 24V DC, 10 Ampere DIN Rail
	<b>SG 10641</b> Side guide eyelet		<b>SG 10770</b> Bottom bar		<b>SG 11322</b> PT Screw Countersunk KA35x10 WN 1413

**SG 11323***PT Screw Countersunk KA35x12***SG 11443***End cover***SG 11534***Box cover 110 mm***SG 11355***Motor drive 5-Series***SG 11446***Bracket left 73 mm***SG 11537***Bracket cover round left 110 mm***SG 11357***Motor drive 24 V DC***SG 11447***Bracket right 73 mm***SG 11538***Bracket cover round right 110 mm***SG 11426***Power supply 24V / 2A including cable with EU/CH plug***SG 11448***Bracket left 73 mm***SG 11539***Bracket cover square left 110 mm***SG 11430***Installation profile fascia 73 mm***SG 11449***Bracket right 73 mm***SG 11540***Bracket cover square right 110 mm***SG 11431***Fascia round 73 mm***SG 11450***Bracket left 73 mm***SG 11542***Side guide channel***SG 11432***Fascia square 73 mm***SG 11451***Bracket right 73 mm***SG 11546***Bracket left 110 mm***SG 11433***Box case 73 mm***SG 11460***Cover for Hirschmann plug***SG 11547***Bracket right 110 mm***SG 11434***Box cover 73 mm***SG 11480***Radio wall transmitter 1 channel***SG 11548***Bracket left 110 mm***SG 11437***Bracket cover round left 73 mm***SG 11490***Radio wall transmitter 5+1 channel***SG 11549***Bracket right 110 mm***SG 11438***Bracket cover round right 73 mm***SG 11530***Installation profile fascia 110 mm***SG 11550***Bracket left 110 mm***SG 11439***Bracket cover square left 73 mm***SG 11531***Fascia round 110 mm***SG 11551***Bracket right 110 mm***SG 11440***Bracket cover square right 73 mm***SG 11532***Fascia square 110 mm***SG 11442***Bottom bar***SG 11533***Box case 110 mm*

# SG 4970

---



## **PRODUCT INFORMATION**

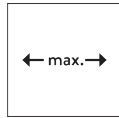
- **Operation:** motorised
- **Range:** M - L
- **Fitting:** ceiling, wall, recess
- **Colours:** white RAL 9016, grey RAL 7035, black RAL 9005, special colours possible
- **Fabrics:** refer to Silent Gliss fabric collection

### **Features:**

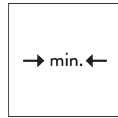
- Quiet and fast motors
- Soft stop
- Various control options
- Two connected systems
- Click-in brackets, fascia, box, installation profile

# SYSTEM SPECIFICATIONS

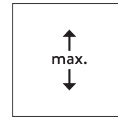
## A. SYSTEM DIMENSIONS



Single system: 3.4 m  
Double system: 6.8 m



65 cm\*  
\*see motor specification  
table



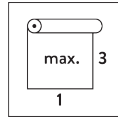
5 m



Single system: 17 m<sup>2</sup>  
Double system: 34 m<sup>2</sup>



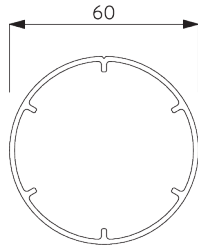
10 kg



Recommended width /  
height ratio  
max. 1:3

## B. PROFILE

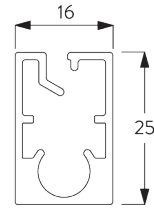
### Profile information



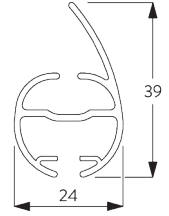
**SG 11037**  
Tube ø 60 mm



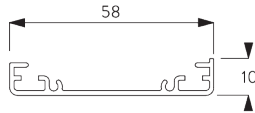
**SG 10760**  
Bottom bar



**SG 10770**  
Bottom bar



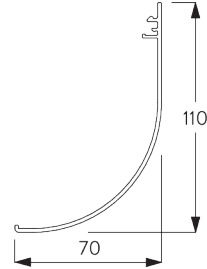
**SG 4903**  
Bottom bar



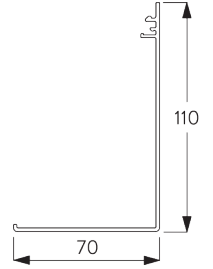
**SG 11181**  
Installation profile



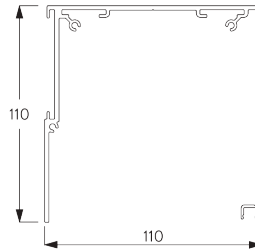
**SG 11530**  
Installation profile fascia 110 mm



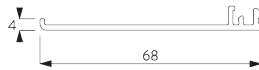
**SG 11531**  
Fascia round 110 mm



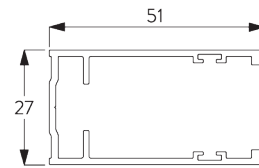
**SG 11532**  
Fascia square 110 mm



**SG 11533**  
Box case 110 mm



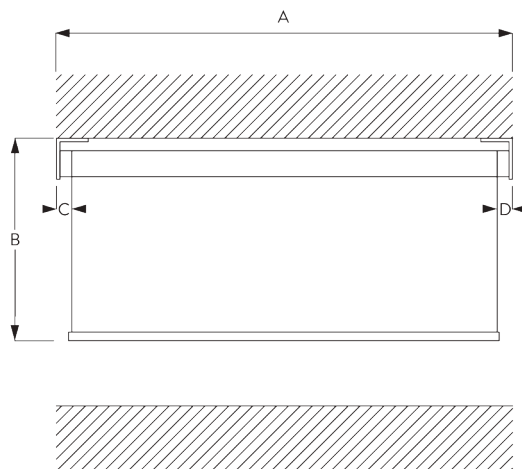
**SG 11534**  
Box cover 110 mm



**SG 11542**  
Side guide channel

## C. HOW TO MEASURE

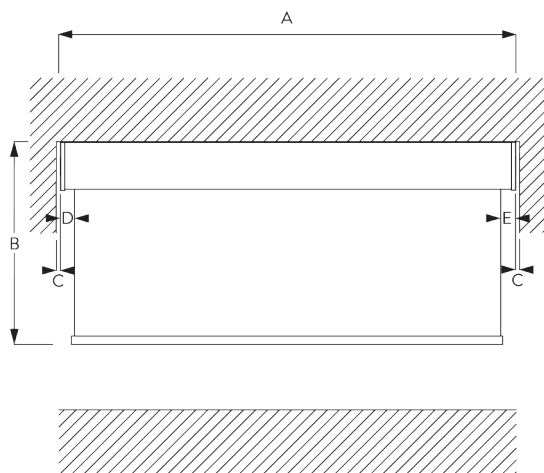
incl. bracket covers



A: System width  
B: System height  
C: Light gap: 18 mm  
D: Light gap operation side: 25 mm

Note:  
Different light gaps see motor specifications.  
All measurements include 2 mm for bracket cover per side!

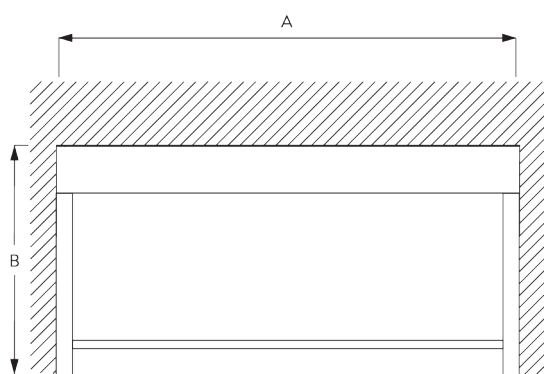
## Fascia / Box



- A: System width
- B: System height
- C: Gap: min. 10 mm (when cover is used)\*
- D: Light gap: 20 mm
- E: Light gap operation side: 27 mm

Note:  
Different light gaps see motor specifications.  
\*Possible to make Fascia wider than system to reduce gap between wall and system.

## Fascia / Box with Side Profiles SG 11542



- A: System width
- B: System height



## D. SPECIFICATION

### TEXT

#### EN

*Silent Gliss SG 4970 Electrically Operated Roller Blind System. Roller blind system for applications up to 3.4m wide. Supplied made to measure and complete comprising anodised aluminium barrel SG 11037, 60 mm. Fixed to wall / ceiling / inside recess with brackets SG 11172 / 75 / 77 and bracket covers SG 11173 / SG 11174. Brackets and hardware in white / grey / black finish. Assembled with powder coated white/ grey / black aluminium bottom weight bar SG 4903 / SG 10993 as standard. Optional installation profile SG 11181 for easy installation with clamps SG 11180. Optional side guide wires. Connected system through fitting SG 11183. Integral 230V motor SG 10520 / SG 10522 left / right side. Operation by mains switch (not supplied), by remote control or mains switching by third party control system. All wiring to be strictly in accordance with Silent Gliss wiring diagrams. Fabric to be chosen from the Silent Gliss fabric range, Price Group 1-4.*

#### SV

*Silent Gliss SG 4970 rullgardinsystem med motor. Rullgardinsystem för installationer upp till 3.4 m bredd. Levereras komplett i specificerat mått innefattande anodiserat rör SG 11037, 60 mm. Vägg / tak och nischmontering med fästen SG 11172 / 75 / 77 samt täckplattor SG 11173 / SG 11174 i vitt / grått eller svart. Alternativt med installationsprofil SG 11181 som monteras med fästen SG 11180. Sidewire som tillbehör. Dubbelsystem med kopplingsbeslag SG 11183. Monterad pulverlackerad tyngdprofil i aluminium i finish vitt / grått / svart med SG 4903 / SG 10993. Integrerad 230V motor SG 10520 / SG 10522 vänster / höger sida. Styrning via väggkontakt (ej inkluderad), via fjärrkontroll eller via externt styrsystem. All elinstallation skall följa Silent Gliss kopplingsschema. Textil från Silent Gliss textilprogram i prisgrupp 1-4.*

#### NO

*Silent Gliss SG 4970 rullegardinsystem med motor. Rullegardinsystem for maks. bredde på 3,4 meter. Leveres komplett på spesialmåll med anodisert rør integrert, SG 11037, 60 mm. Tak-, vegg- og nisjemontering med feste SG 11172 / 75 / 75 samt dekkplate SG 11173 / SG 11174 i hvit, grå eller svart. Alternativt monteringsprofil SG 11181 som monteres med feste SG 11180. Sidewire som tilbehør. Koblingsbeslag SG 11183 for betjening av dobbelt system med kulekjede. Monteret tyngdeprofil i pulverlakkert aluminium i hvit/alu/svart med SG 4903 / SG 10993. Integrert styring via veggkontroll eller vi eksternt styringssystem. Alle elektriske tilkoblinger skal utføres i.h.t. Silent Gliss koblingsskjema. Tekstil fra Silent Gliss kolleksjon i prisgruppe 1-4.*

#### DA

*Silent Gliss SG 4970 elektrisk rullegardinsystem. Rullegardinsystemer til installationer med op til 3,4 m bredde. Leveres i ønsket længde og samlet. Består af anodiseret aluminiumrør SG 11037, 60 mm. Fastgøres i væggen / loftet / indfældes med beslagene SG 11172 / 75 / 77 og beslagafdækningerne SG 11173 / SG 11174. Beslag og armaturer i hvid / grå / sort finish. Samlet med pulverlakeret hvid, aluminium eller sort finish tyngdeprofil SG 4903 / SG 10993 som standard. Alternativt med installationsprofil SG 11181 for nem installation med klemmerne SG 11180. Sidewirer som tilbehør. Tilsluttet system med fitting SG 11183. Integreret 230 V motor SG 10520 / SG 10522 venstre / højre side. Styres med lysnetkontakt (medfølger ikke), med fjernbetjening eller lysnetkontakt fra tredjepart system. Al ledningsføring skal udelukkende vælges i henhold til Silent Gliss ledningsdiagrammer. Stoffet vælges fra Silent Gliss stofprogrammet, prisgruppe 1-4.*

# FITTING

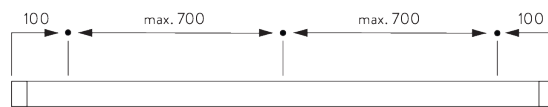
## A. FITTING INFORMATION

### Fixing points

For detailed fitting information, visit the Silent Gliss website.

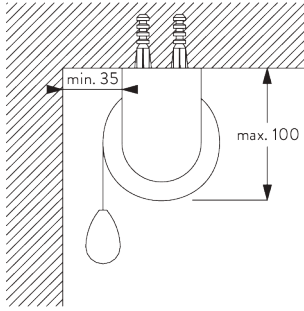


Brackets (wall / ceiling)

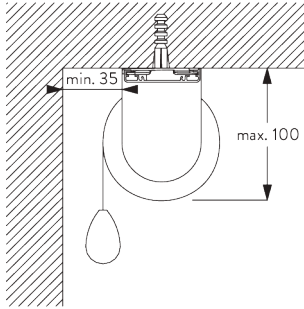


Fascia / box & installation profile SG 11181 (wall / ceiling)

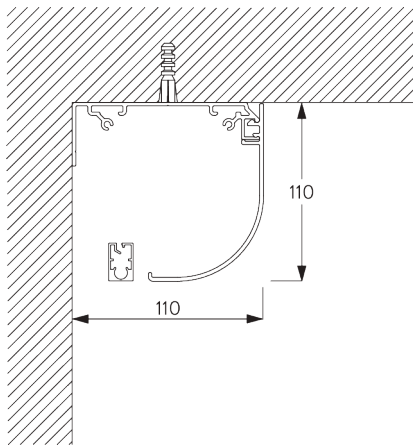
## **B. CEILING FITTING**



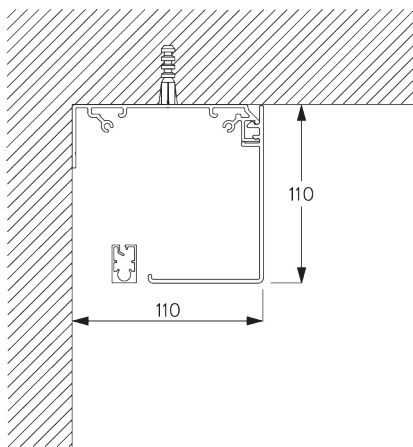
**Brackets**



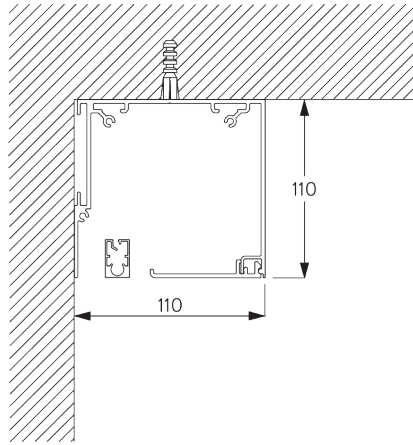
**Installation profile SG 11181 and clamp SG 11180**



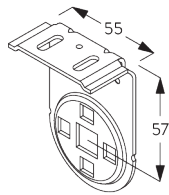
**Fascia round**



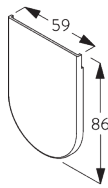
**Fascia square**



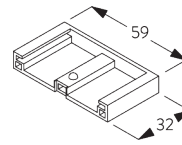
**Box**



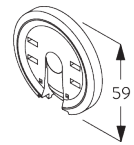
**SG 11172**  
Bracket



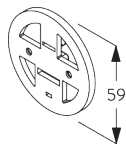
**SG 11173**  
Bracket cover



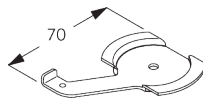
**SG 11174**  
Bracket cover



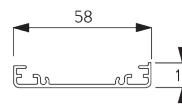
**SG 11175**  
Click flange



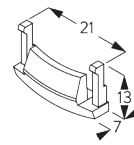
**SG 11177**  
Motor support



**SG 11180**  
Clamp

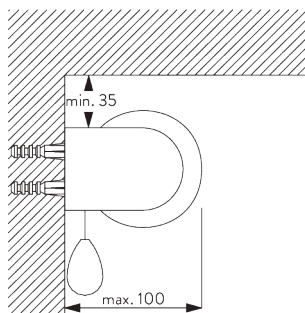


**SG 11181**  
Installation profile

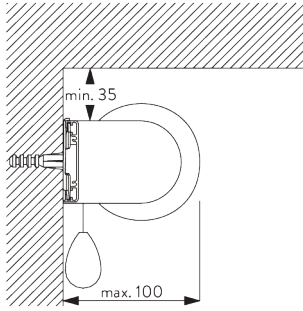


**SG 11179**  
Cover

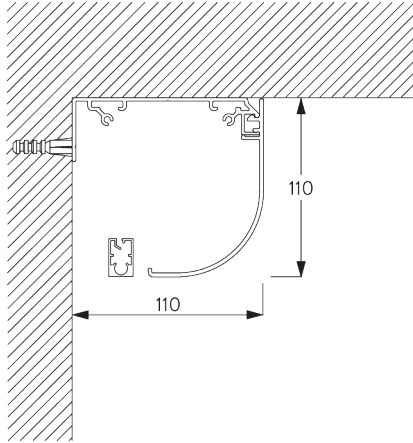
**C. WALL FITTING**



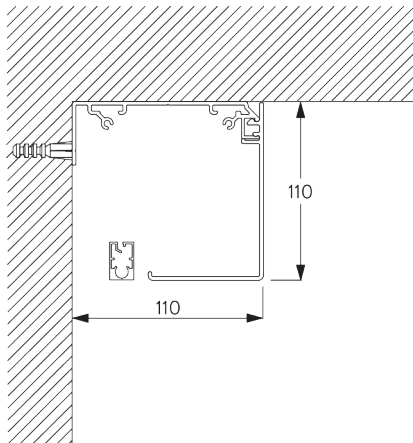
**Brackets**



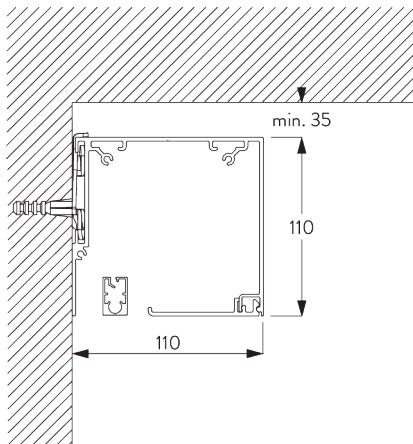
**Installation profile SG 11181 and clamp SG 11180**



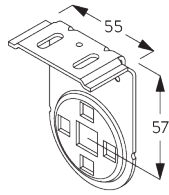
**Fascia round**



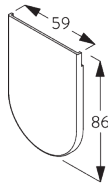
**Fascia square**



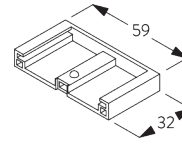
**Box and clamp SG 11180**



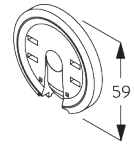
**SG 11172**  
Bracket



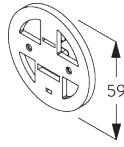
**SG 11173**  
Bracket cover



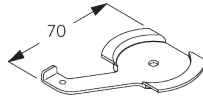
**SG 11174**  
Bracket cover



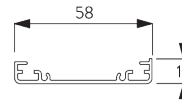
**SG 11175**  
Click flange



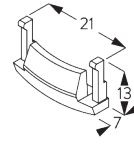
**SG 11177**  
Motor support



**SG 11180**  
Clamp

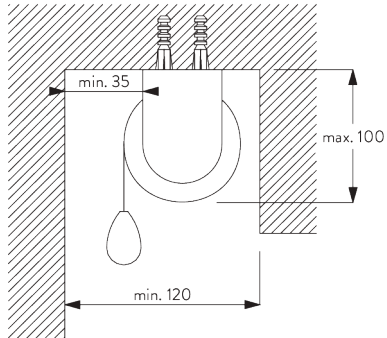


**SG 11181**  
Installation profile

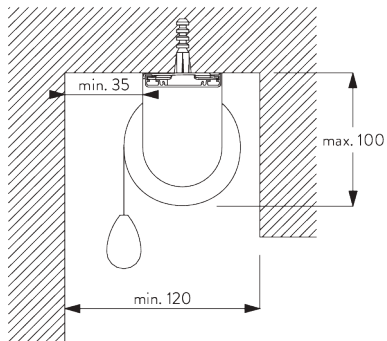


**SG 11179**  
Cover

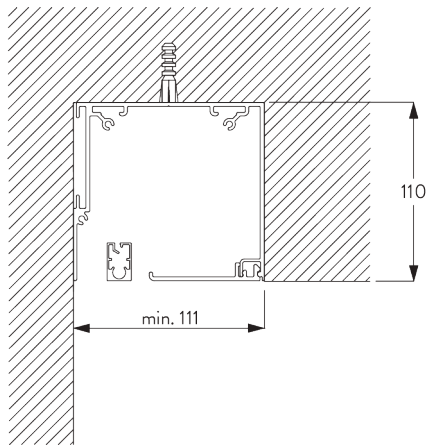
## **D. RECESS FITTING**



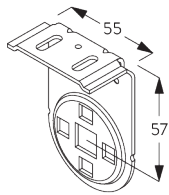
**Brackets**



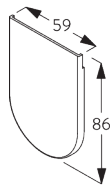
**Installation profile SG 11181 and clamp SG 11180**



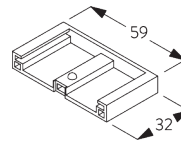
**Box**



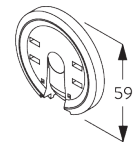
**SG 11172**  
Bracket



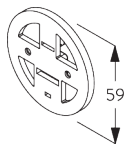
**SG 11173**  
Bracket cover



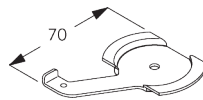
**SG 11174**  
Bracket cover



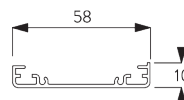
**SG 11175**  
Click flange



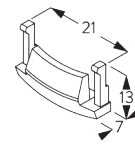
**SG 11177**  
Motor support



**SG 11180**  
Clamp

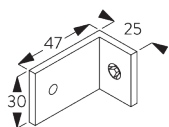
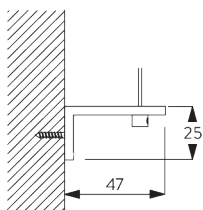


**SG 11181**  
Installation profile

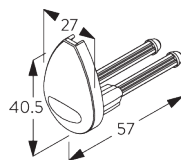


**SG 11179**  
Cover

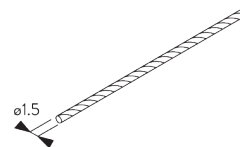
## **E. FITTING WITH SIDE GUIDE OPTION**



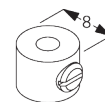
**SG 3036**  
Bracket 47 mm



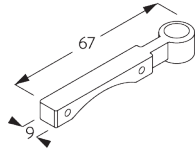
**SG 4944**  
Side guide end cover



**SG 4948**  
Side guide wire  $\varnothing$  1.5 mm



**SG 8249**  
Side guide device

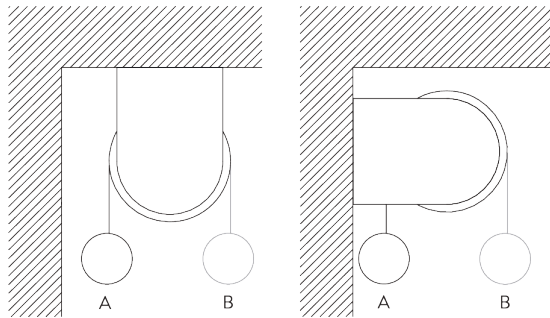


**SG 11182**

Side guide wire holder

# SYSTEM OPTIONS

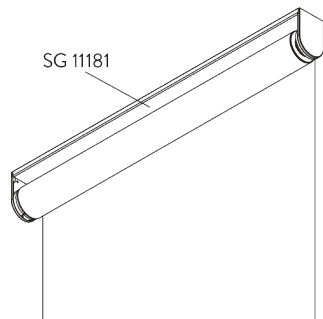
## A. FABRIC ROLL-OFF



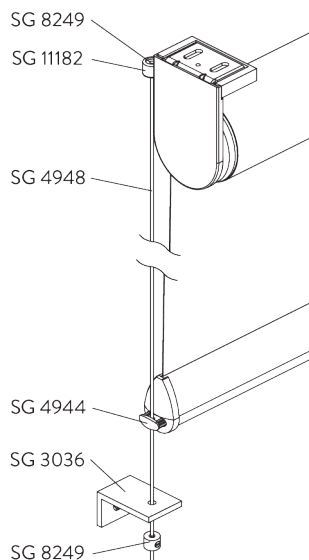
A: Fabric roll-off window side (standard)

B: Fabric roll-off room side (option)

## B. INSTALLATION PROFILE



## C. SIDE GUIDES



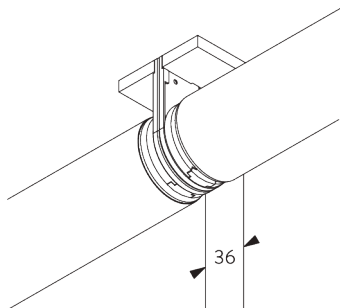
Additional parts:

- 2x SG 3036 Bracket
- 2x SG 4944 Side guide end cover
- 2x SG 4948 Side guide wire  $\varnothing$  1.5 mm
- 4x SG 8249 Side guide device
- 2x SG 11182 Side guide wire holder

Note:

- Light gaps increase when side-guide option is used
- Up to 15° from vertical
- Only applicable with bottom bar SG 4903

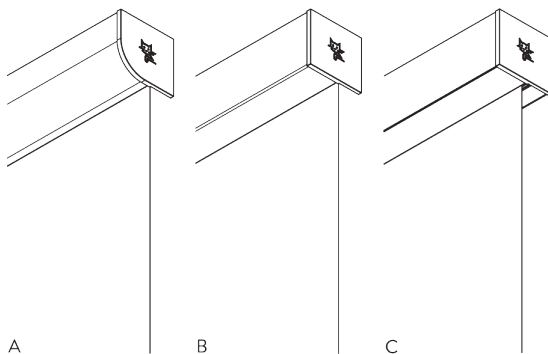
## D. TWO CONNECTED SYSTEMS



Additional parts:

- 1x SG 11175 Click flange
- 1x SG 11183 Connecting bolt
- 2x SG 11184 Connection bracket cover
- 1x SG 11195 Connection tube adapter

## E. FASCIA / BOX



A: Fascia round  
B: Fascia square  
C: Box

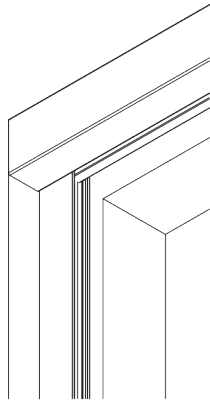
Size:

- 110 x 110 mm

Note:

- Only applicable with bottom bar SG 10770
- Not possible with connected systems
- Two systems with one Fascia possible upon request

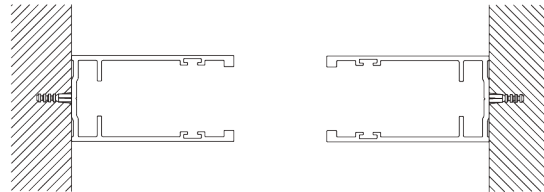




Optional side guide channels SG 11542 to be used with Fascia or Box.

Note:

- Only applicable with inside fitting
- Box: only recess fitting



# MOTORS & CONTROLS

## A. MOTOR FEATURES

Motors	50-Series	20-Series	20-Series	10-Series K	5-Series
	SG 11251	SG 10523	SG 10522	SG 10514	SG 10715

### Motor Features

Soft stop	•	•	•		
Electronic end-stop	•	•	•		
Electronic revolution counter (unlimited revolution)	•	•	•		
Mechanical end-stop				•	•
Mechanical revolution counter (limited revolution)				•	•
Two intermediate positions possible		•			
Bottom bar alignment	•				
Noiseless stop		•	•	•	
Parallel wiring possible without additional relays		•	•		
Disconnectable motor cable	•	•	•		
IP class	IP 30	IP 44	IP 44	IP 44	IP 44

### Control Features

Mains power control		•	•	•	•
SG Control L (built-in receiver)		•			
Smart by Silent Gliss	•				
Suitable for most major home automation systems (with suitable interface)		•	•	•	•

## B. MOTOR SPECIFICATIONS

Motors	Light gaps* C / D = driving side	Min. system width	Voltage	Current	Frequency	Speed	Frequency receiver
<b>50-Series (Smart by Silent Gliss)</b>							
SG 11251	C: 18 mm / D: 26 mm	65 cm	24 V DC	1.5 A	-	32 rpm	-
<b>20-Series</b>							
SG 10522 (standard)	C: 18 mm / D: 25 mm	65 cm	230 V AC	0.55 A	50 Hz	30 rpm	-
SG 10523	C: 18 mm / D: 25 mm	65 cm	230 V AC	0.55 A	50 Hz	30 rpm	868/915 MHz
<b>10-Series K</b>							
SG 10514	C: 18 mm / D: 25 mm	53 cm	230 V AC	0.52 A	50 Hz	30 rpm	-
<b>5-Series</b>							
SG 10715	C: 18 mm / D: 25 mm	65 cm	230 V AC	0.485 A	50-60 Hz	28 rpm	-

\*Light gaps Fascia or Box: C +3 mm / D +2 mm (20-Series: C +2 mm / D +2 mm)

## C. OPERATING METHODS

See catalogue "controls" for details.

### Wall Switch



System can be operated by fixed wall switch.

### SG Control L



Various radio hand-held and wall transmitters available.



Silent Gliss Move App.

### Smart by Silent Gliss



Open designed two-way communication system which allows to flawlessly integrate products with most major building management systems.

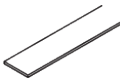
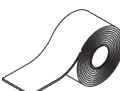
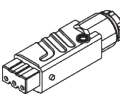




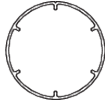
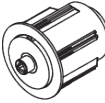


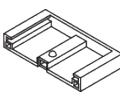


## D. WIRING DIAGRAMS


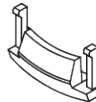
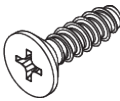



Refer to Silent Gliss website.

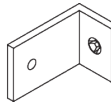
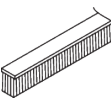

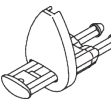


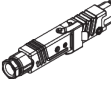
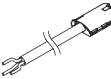
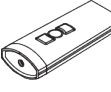

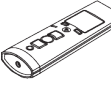
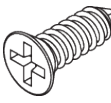
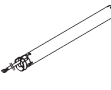

# PARTS

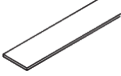
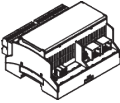


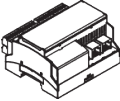

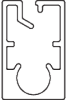
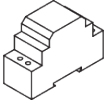


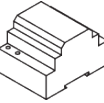
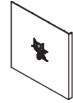

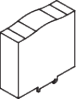



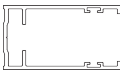

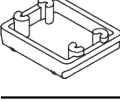




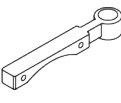

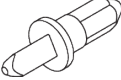



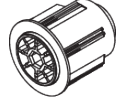



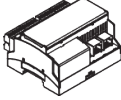

## A. STANDARD PARTS

	<b>SG 4223</b> PVC strip 14 mm
	<b>SG 4226</b> Double tape 30 mm
	<b>SG 9917</b> Hirschmann portable socket-outlet STAK 3 N
	<b>SG 10284</b> O-Ring
	<b>SG 10522</b> Motor 230V AC, 20-Series S 3/30
	<b>SG 10760</b> Bottom bar
	<b>SG 10761</b> End cover
	<b>SG 11037</b> Tube ø 60 mm
	<b>SG 11165</b> Tube adapter
	<b>SG 11172</b> Bracket
	<b>SG 11173</b> Bracket cover
	<b>SG 11174</b> Bracket cover
	<b>SG 11175</b> Click flange
	<b>SG 11176</b> Tube adapter

	<b>SG 11177</b> Motor support
	<b>SG 11179</b> Cover
	<b>SG 11323</b> PT Screw Countersunk KA35x12
	<b>SG 11358</b> Motor drive 10/20-Series

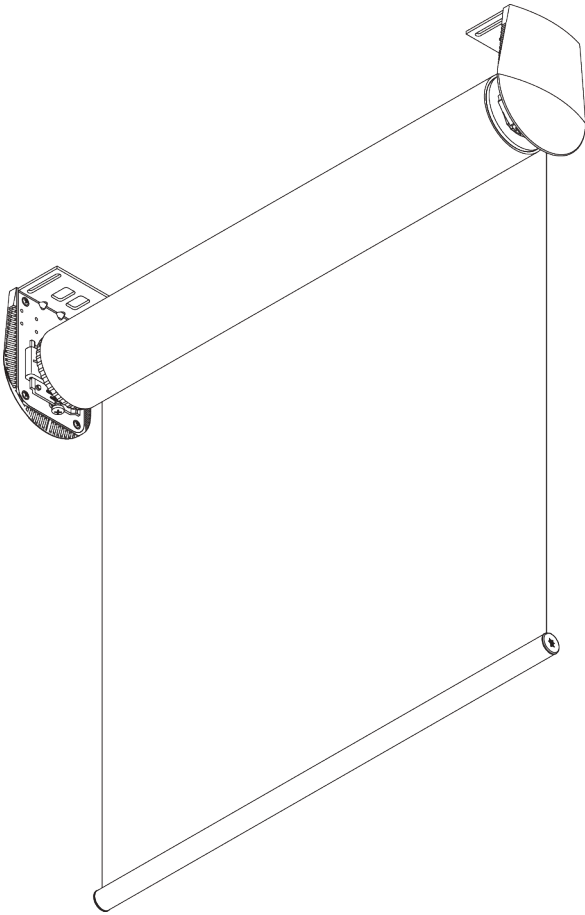
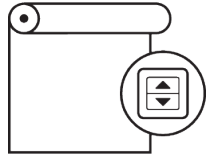
## B. OPTIONAL PARTS

	<b>SG 3036</b> Bracket 47 mm
	<b>SG 4508</b> Brush 5x7 mm
	<b>SG 4903</b> Bottom bar
	<b>SG 4944</b> Side guide end cover
	<b>SG 4948</b> Side guide wire ø 1.5 mm
	<b>SG 8249</b> Side guide device
	<b>SG 9916</b> Hirschmann plug set
	<b>SG 10293</b> Cable 230V AC, 2/3/5/10 m
	<b>SG 10300</b> Radio hand held 1 channel
	<b>SG 10302</b> Radio hand held 5+1 channel
	<b>SG 10303</b> Radio hand held 10+2+1 channel
	<b>SG 10498</b> Countersunk screw 2.9x9.5
	<b>SG 10514</b> Tubular motor 230V AC, 10 Series S 3/30 K
	<b>SG 10523</b> Motor 230V AC, 20-Series S 3/30, radio receiver

	<b>SG 10668</b> PVC strip 10 mm		<b>SG 11261</b> Gateway KNX		<b>SG 11534</b> Box cover 110 mm
	<b>SG 10715</b> Tubular motor 230V AC, 5 Series S 6/28		<b>SG 11262</b> Expansion unit		<b>SG 11537</b> Bracket cover round left 110 mm
	<b>SG 10770</b> Bottom bar		<b>SG 11263</b> Power supply 24V DC, 2 Ampere DIN Rail		<b>SG 11538</b> Bracket cover round right 110 mm
	<b>SG 10771</b> End cover		<b>SG 11264</b> Power supply 24V DC, 3.8 Ampere DIN Rail		<b>SG 11539</b> Bracket cover square left 110 mm
	<b>SG 10804</b> Radio hand held 15+5+1 channel		<b>SG 11265</b> Power supply 24V DC, 5 Ampere DIN Rail		<b>SG 11540</b> Bracket cover square right 110 mm
	<b>SG 11178</b> End cover		<b>SG 11266</b> Power supply 24V DC, 10 Ampere DIN Rail		<b>SG 11542</b> Side guide channel
	<b>SG 11180</b> Clamp		<b>SG 11311</b> Bracket spacer		<b>SG 11544</b> Bracket left 110 mm
	<b>SG 11181</b> Installation profile		<b>SG 11460</b> Cover for Hirschmann plug		<b>SG 11545</b> Bracket right 110 mm
	<b>SG 11182</b> Side guide wire holder		<b>SG 11480</b> Radio wall transmitter 1 channel		
	<b>SG 11183</b> Connection bolt		<b>SG 11490</b> Radio wall transmitter 5+1 channel		
	<b>SG 11184</b> Connection bracket cover		<b>SG 11530</b> Installation profile fascia 110 mm		
	<b>SG 11195</b> Connection tube adapter		<b>SG 11531</b> Fascia round 110 mm		
	<b>SG 11251</b> Tubular motor 24V DC, 50-Series S 3/32		<b>SG 11532</b> Fascia square 110 mm		
	<b>SG 11260</b> Gateway Cedia		<b>SG 11533</b> Box case 110 mm		

# SG 4880

---



## PRODUCT INFORMATION

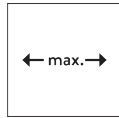
- **Operation:** motorised
- **Range:** L
- **Fitting:** ceiling, wall, recess
- **Colours:** white RAL 9016 or anodised aluminum, special colours possible
- **Fabrics:** refer to Silent Gliss fabric collection

### **Features:**

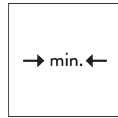
- Quiet and fast motors
- Soft stop
- Various control options
- Stainless steel brackets, adjustable for vertical alignment of fabric

# SYSTEM SPECIFICATIONS

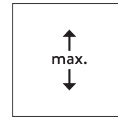
## A. SYSTEM DIMENSIONS



Tube SG 4957: 5 m  
Tube SG 4901: 4 m



72 cm\*  
\*see motor specification table



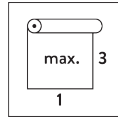
Tube SG 4957: 9 m  
Tube SG 4901: 12 m



36 m<sup>2</sup>



23 kg



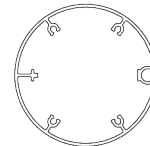
Recommended width /  
height ratio  
max. 1:3

## Maximum surface area

B ↓	A →								
	2 m	2.5 m	3 m	3.5 m	4 m	4.5 m	5 m		
2 m	●	●	●	●	○	○	○		
2.5 m	●	●	●	●	○	○	○		
3 m	●	●	●	●	○	○	○		
3.5 m	●	●	●	●	○	○	○		
4 m	●	●	●	●	○	○	○		
4.5 m	●	●	●	●	○	○	○		
5 m	●	●	●	●	○	○	○		
5.5 m	●	●	●	●	○	○	○		
6 m	●	●	●	●	○	○	○		
6.5 m	●	●	●	●	○	○	○		
7 m	●	●	●	●	○	○	○		
7.5 m	●	●	●	●	○	○			
8 m	●	●	●	●	○	○			
8.5 m	●	●	●	●	○				
9 m	●	●	●	●	○				
9.5 m	●	●	●	●					
10 m	●	●	●	●					
10.5 m	●	●	●						
11 m	●	●	●						
11.5 m	●	●	●	max. 36 m <sup>2</sup>					
12 m	●	●	●						



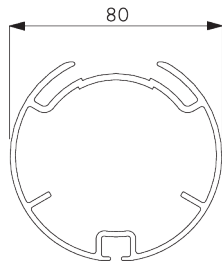
● SG 4901 (ø 80 mm)



○ SG 4957 (ø 110 mm)

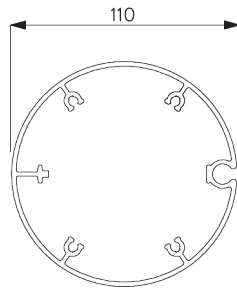
## B. PROFILE

### Profile information



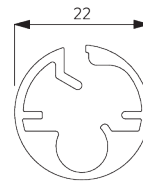
**SG 4901**

Tube ø 80 mm



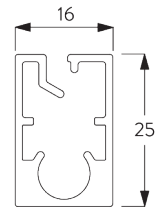
**SG 4957**

Tube ø 110 mm



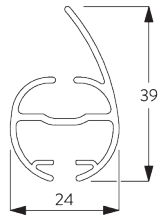
**SG 10760**

Bottom bar



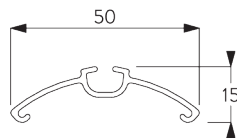
**SG 10770**

Bottom bar



**SG 4903**

Bottom bar

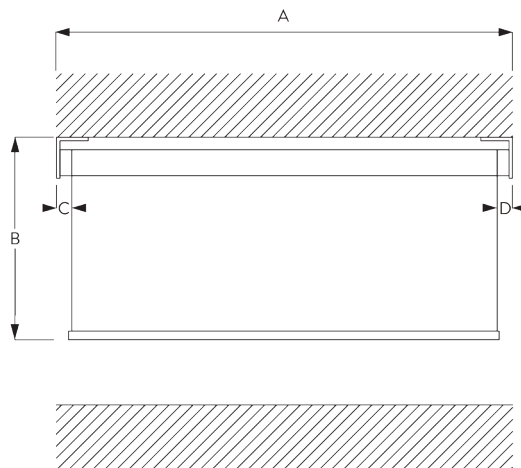


**SG 4902**

Profile

## C. HOW TO MEASURE

*incl. bracket covers  
(15 mm)*



A: System width  
B: System height

Tube SG 4901 (ø 80 mm):  
C: Light gap: 44 mm  
D: Light gap operation side: 50 mm

Tube SG 4957 (ø 110 mm):  
C: Light gap: 42 mm  
D: Light gap operation side: 52 mm

Note:  
Different light gaps see motor specifications.  
All measurements include 15 mm for bracket cover per side!

## D. SPECIFICATION

### TEXT

#### EN

Silent Gliss SG 4880 Electrically Operated Roller Blind System. Roller blind system for heavy and large size blind applications up to 5m wide. Supplied made to measure and complete comprising anodised aluminium barrel SG 4901 (80mm tube) / SG 4957 (110mm tube) and stainless steel bracket combination set SG 4949. Fix to wall / ceiling / inside recess. Incorporating Silent Gliss patented Quick Twist SG 4902 for easy on-site adjustment of the fabric roll up (80mm tube only). Assembled with powder coated white finish aluminium bottom weight bar SG 4903. Integral 230v motor SG 10326 / (SG 10327 with radio receiver). Operation by mains switch (not supplied), by remote control or mains switching by third party control system. All wiring to be strictly in accordance with Silent Gliss wiring diagrams. Fabric to be chosen from the Silent Gliss fabric range, Price Group 1-4.

#### SV

Silent Gliss SG 4880 rullgardinsystem med motor. Rullgardinsystem för installationer upp till 5 m bredd. Levereras komplett i specificerat mått innefattande anodiserat rör SG 4901, 80 mm / SG 4957, 110 mm. Vägg/tak och nischmontering med fästen set SG 4949. Inkl. Silent Gliss patenterad funktion Quick Twist SG 4902 för enkel justering på plats av upprulling på 80 mm tub. Sidewire som tillbehör. Monterad pulverlackerad tyngdprofil i aluminium i finish vitt/alu SG 4903. Integrerad 230V motor SG 10326/ (SG 10327 radiomottagare) vänster / höger sida. Styrning via väggkontakt(ej inkluderad), via fjärrkontroll eller via externt styrsystem. All elinstallation skall följa Silent Gliss kopplingschema. Textil från Silent Gliss textilprogram i prisgrupp 1-4.

#### NO

Silent Gliss SG 4880 rullegardinsystem med motor. Rullegardinsystem for maks. bredde på 5 meter. Leveres komplett på spesialmål med anodisert rør integrert, SG4901, 80 mm / SG 4957, 110mm. Tak-, vegg- og nischmontering med feste SG4902. Inkl. Silent Gliss patentert funksjon Quick Twist SG 4902 for enkel justering på stedet av opprulling på 80mm rør. Sidewire som tilbehør. Monteret pulverlakkert tyngdeprofil i aluminium i finish hvit og alu SG 4903. Integrert 230V motor SG10326 / (SG 10329 radiomottaker) venstre/høyre side. Styring via veggkontroll (ikke inkludert), fjernkontroll eller via eksternt styringssystem. Alle elektriske installasjoner skal utføres i.h.t. Silent Gliss koblingsskjema. Tekstil fra Silent Gliss kolleksjon i prisgruppe 1-4.

#### DA

Silent Gliss SG 4880 elektrisk rullegardinsystem. Rullegardinsystem til tunge og store installationer med op til 5 m bredde. Leveres i ønsket længde og samlet, bestående af anodiseret aluminiumrør SG 4901 (80 mm rør) / SG 4957 (110 mm rør) og beslag af rustfrit stål, kombinationssæt SG 4949. Fastgjort til væg / loft / indfældet. Bruger det Silent Gliss patenterede Quick Twist SG 4902, så stofrullen nemt kan justeres på stedet (kun for 80 mm rør). Monteret med hvid pulverlakeret tyngdeprofil af aluminium SG 4903. Integreret 230 V motor SG 10326 / (SG 10327 med radiomodtager). Styres med lysnetkontakt (medfølger ikke), med fjernbetjening eller lysnetkontakt fra tredjepart system. Al ledningsføring skal udelukkende vælges i henhold til Silent Gliss ledningsdiagrammer. Stoffet vælges fra Silent Gliss stofprogrammet, prisgruppe 1-4.

# FITTING

## A. FITTING INFORMATION

### Fixing points

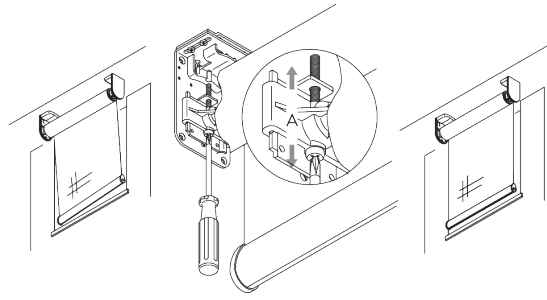
For detailed fitting information, visit the Silent Gliss website.



\*30 mm without cover  
\*43 mm with cover

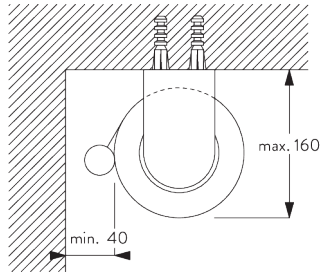


**Adjustable brackets  
(for vertical  
adjustments)**

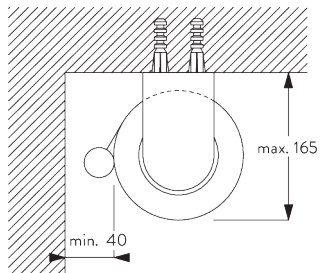


Vertical adjustment of fabric to the window frame.

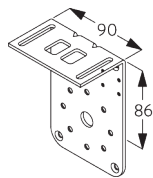
**B. CEILING FITTING**



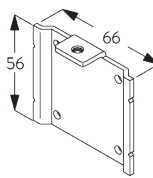
Tube SG 4901 (ø 80 mm)



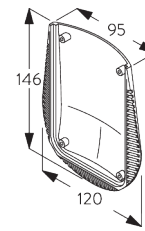
Tube SG 4957 (ø 110 mm)



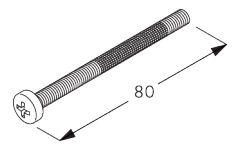
**SG 4904**  
Bracket (set SG 4949)



**SG 4906**  
Plate (set SG 4949)

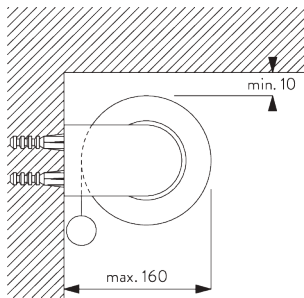


**SG 4956**  
Bracket cover

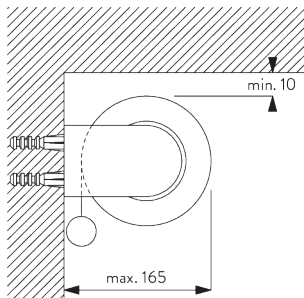


**SG 4966**  
Special screw (set SG 4949)

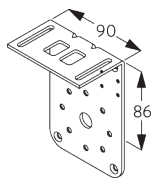
## C. WALL FITTING



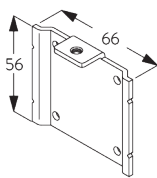
Tube SG 4901 (ø 80 mm)



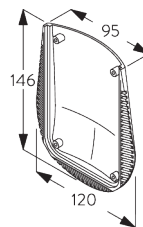
Tube SG 4957 (ø 110 mm)



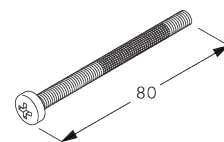
**SG 4904**  
Bracket (set SG 4949)



**SG 4906**  
Plate (set SG 4949)

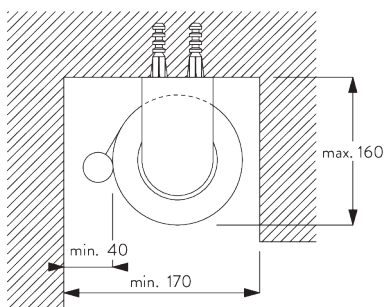


**SG 4956**  
Bracket cover

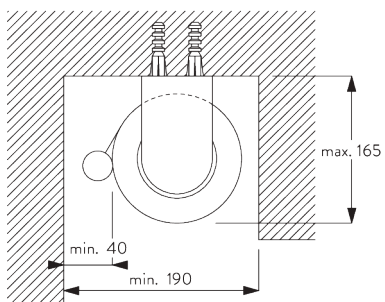


**SG 4966**  
Special screw (set SG 4949)

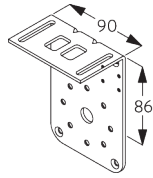
## D. RECESS FITTING



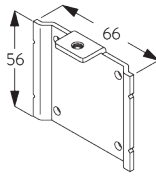
Tube SG 4901 (ø 80 mm)



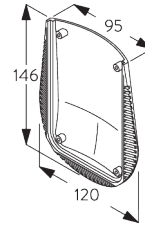
Tube SG 4957 (ø 110 mm)



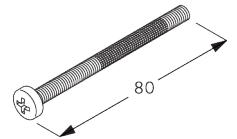
**SG 4904**  
Bracket (set SG 4949)



**SG 4906**  
Plate (set SG 4949)

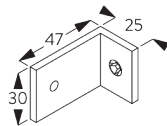
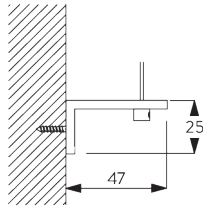


**SG 4956**  
Bracket cover

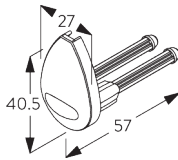


**SG 4966**  
Special screw (set SG 4949)

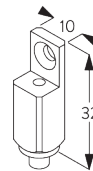
**E. FITTING WITH  
SIDE GUIDE  
OPTION**



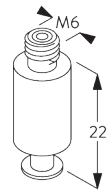
**SG 3036**  
Bracket 47 mm



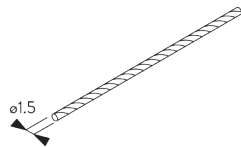
**SG 4944**  
Side guide end cover



**SG 4946**  
Side guide wire rope fastener



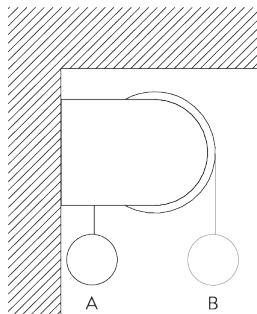
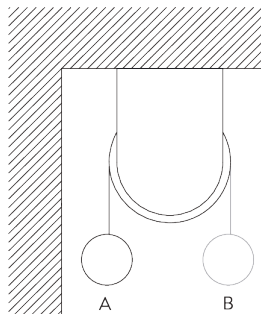
**SG 4947**  
Side guide wire rope fastener



**SG 4948**  
Side guide wire ø 1.5 mm

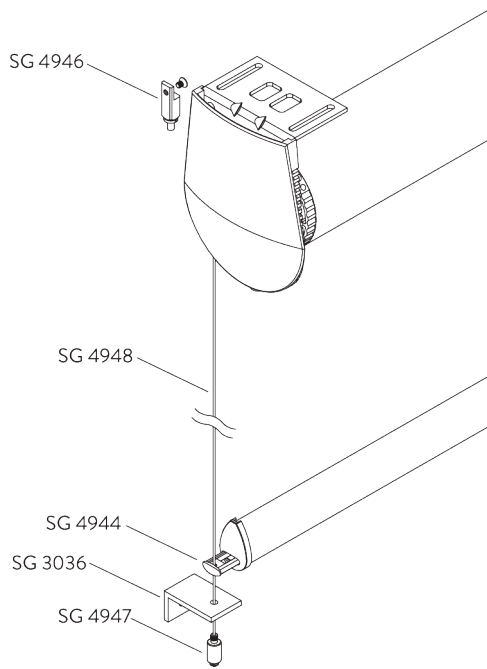
# SYSTEM OPTIONS

**A. FABRIC ROLL-OFF**



A: Fabric roll-off window side (standard)  
B: Fabric roll-off room side (option)

## **B. SIDE GUIDES**



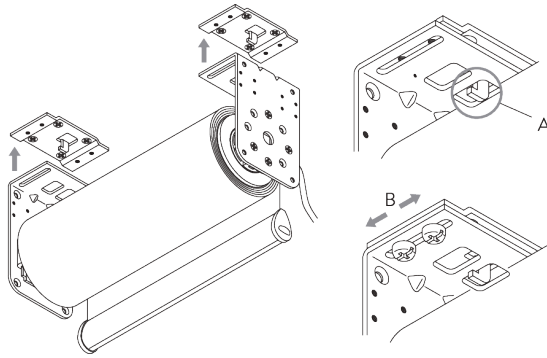
### *Additional parts:*

- 2x SG 3036 Bracket 47 mm
- 2x SG 4944 Side guide end cover
- 2x SG 4946 Side guide wire rope fastener
- 2x SG 4947 Side guide wire rope fastener
- 2x SG 4948 Side guide wire  $\varnothing$  1.5 mm

### *Note:*

- Light gaps increase when side-guide option is used
- Up to 15° from vertical

## **C. HOOK-IN INSTALLATION PLATES**



- A: Hook-in plates SG 4972 take the weight of the blind*
- B: Brackets sideways adjustable by up to 18 mm.*

# MOTORS & CONTROLS

## A. MOTOR FEATURES

Motors	50-Series	20-Series	20-Series
	SG 11255	SG 10327	SG 10326

### Motor Features

Soft stop	●	●	●
Electronic end-stop	●	●	●
Electronic revolution counter (unlimited revolution)	●	●	●
Two intermediate positions possible		●	
Bottom bar alignment	●		
Noiseless stop		●	●
Parallel wiring possible without additional relays		●	●
Disconnectable motor cable	●	●	●
IP class	IP 30	IP 44	IP 44

### Control Features

Mains power control			●
SG Control L (built-in receiver)		●	
Smart by Silent Gliss	●		
Suitable for most major home automation systems (with suitable interface)		●	●

## B. MOTOR SPECIFICATIONS

### Tube SG 4901

Motors	Light gaps C / D = driving side	Min. system width	Voltage	Current	Frequency	Speed	Frequency receiver
<b>50-Series (Smart by Silent Gliss)</b>							
SG 11255	C: 44 mm / D: 51 mm	74 cm	24 V DC	2.95 A	-	20 rpm	-
<b>20-Series</b>							
SG 10326 (standard)	C: 44 mm / D: 50 mm	72 cm	230 V AC	0.9 A	50 Hz	23 rpm	-
SG 10327	C: 44 mm / D: 50 mm	72 cm	230 V AC	0.9 A	50 Hz	23 rpm	868/915 MHz

### Tube SG 4957

Motors	Light gaps C / D = driving side	Min. system width	Voltage	Current	Frequency	Speed	Frequency receiver
<b>50-Series (Smart by Silent Gliss)</b>							
SG 11255	C: 42 mm / D: 54 mm	74 cm	24 V DC	2.95 A	-	20 rpm	-
<b>20-Series</b>							
SG 10326 (standard)	C: 42 mm / D: 52 mm	73 cm	230 V AC	0.9 A	50 Hz	23 rpm	-
SG 10327	C: 42 mm / D: 52 mm	73 cm	230 V AC	0.9 A	50 Hz	23 rpm	868/915 MHz

## C. OPERATING METHODS

See catalogue "controls" for details.

Wall Switch



System can be operated by fixed wall switch.

SG Control L



Various radio hand-held and wall transmitters available.



Silent Gliss Move App.

Smart by Silent Gliss



Open designed two-way communication system which allows to flawlessly integrate products with most major building management systems.

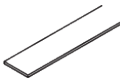
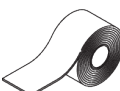


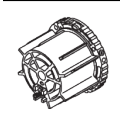
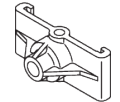

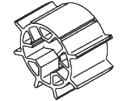
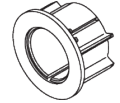
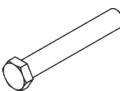
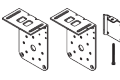

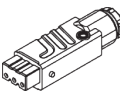
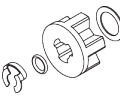
D. WIRING  
DIAGRAMS


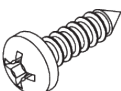
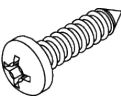
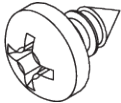
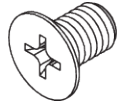




Refer to Silent Gliss website.

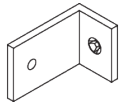

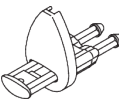
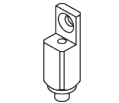


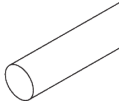

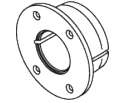
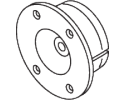

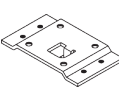
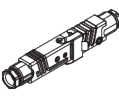
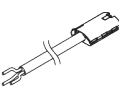
# PARTS

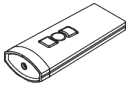
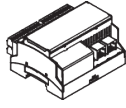
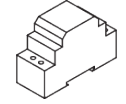
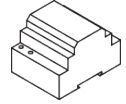
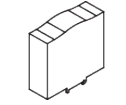
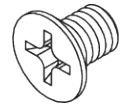
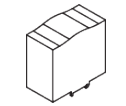
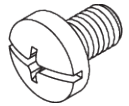
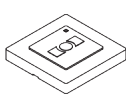
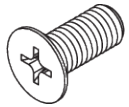
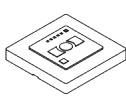
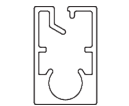
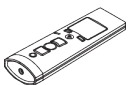
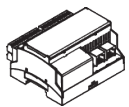
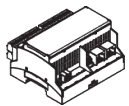
## A. STANDARD PARTS

	<b>SG 4223</b> PVC strip 14 mm
	<b>SG 4226</b> Double tape 30 mm
	<b>SG 4901</b> Tube ø 80 mm
	<b>SG 4902</b> Profile
	<b>SG 4914</b> Tube adapter
	<b>SG 4915</b> Support
	<b>SG 4926</b> Motor flange
	<b>SG 4927</b> Motor drive
	<b>SG 4928</b> Tube adapter
	<b>SG 4939</b> Shaft
	<b>SG 4949</b> Bracket set
	<b>SG 4956</b> Bracket cover
	<b>SG 9917</b> Hirschmann portable socket-outlet STAK 3 N
	<b>SG 10292</b> Motor drive set

	<b>SG 10326</b> Tubular motor 230V AC, 20 Series M 12/23
	<b>SG 10503</b> Pan head screw 3.5x13
	<b>SG 10506</b> Pan head screw 3.9x16
	<b>SG 10507</b> Pan head screw 3.5x6.5
	<b>SG 10509</b> Countersunk head screw M5x8
	<b>SG 10760</b> Bottom bar
	<b>SG 10761</b> End cover

## B. OPTIONAL PARTS

	<b>SG 3036</b> Bracket 47 mm
	<b>SG 4903</b> Bottom bar
	<b>SG 4944</b> Side guide end cover
	<b>SG 4946</b> Side guide wire rope fastener
	<b>SG 4947</b> Side guide wire rope fastener
	<b>SG 4948</b> Side guide wire ø 1.5 mm
	<b>SG 4951</b> Bottom weight ø 8 mm
	<b>SG 4957</b> Tube ø 110 mm
	<b>SG 4959</b> Tube adapter
	<b>SG 4961</b> Tube adapter
	<b>SG 4962</b> Motor drive
	<b>SG 4972</b> Installation plate
	<b>SG 9916</b> Hirschmann plug set
	<b>SG 10293</b> Cable 230V AC, 2/3/5/10 m

**SG 10300***Radio hand held 1 channel***SG 11262***Expansion unit***SG 10302***Radio hand held 5+1 channel***SG 11263***Power supply 24V DC, 2 Ampere  
DIN Rail***SG 10303***Radio hand held 10+2+1 channel***SG 11264***Power supply 24V DC, 3.8 Ampere  
DIN Rail***SG 10327***Tubular motor 230V AC, 20 Series  
M 12/23, radio receiver***SG 11265***Power supply 24V DC, 5 Ampere  
DIN Rail***SG 10502***Countersunk head screw M4x6***SG 11266***Power supply 24V DC, 10 Ampere  
DIN Rail***SG 10504***Pan head screw Freedrive M5x8***SG 11480***Radio wall transmitter 1 channel***SG 10508***Countersunk head screw M5x12***SG 11490***Radio wall transmitter 5+1 channel***SG 10770***Bottom bar***SG 10771***End cover***SG 10804***Radio hand held 15+5+1 channel***SG 11178***End cover***SG 11255***Tubular motor 24V DC, 50-Series  
M 10/20***SG 11260***Gateway Cedia***SG 11261***Gateway KNX*









## ***The Architects of Silence***

***Silent Gliss is the leading global supplier of premium interior window treatments. Since 1952 we have been tirelessly committed to the development of the worlds` smoothest, quietest systems using state of the art technology.***

*Driven by customer needs, Silent Gliss offers functional and durable products. Expert technical advice coupled with installation and support services complete the offer. Silent Gliss stands for innovative, sustainable, tailor made solutions, exceptional design and first-class quality.*

### **Oy Vallila Contract Ab**

Nilsjängkatu 15

FI-00510 Helsinki

**T** +358 (0)20 776 7700

**F** +358 (0)20 776 7701

silentgliss@vallilainterior.fi

**silentgliss.fi**