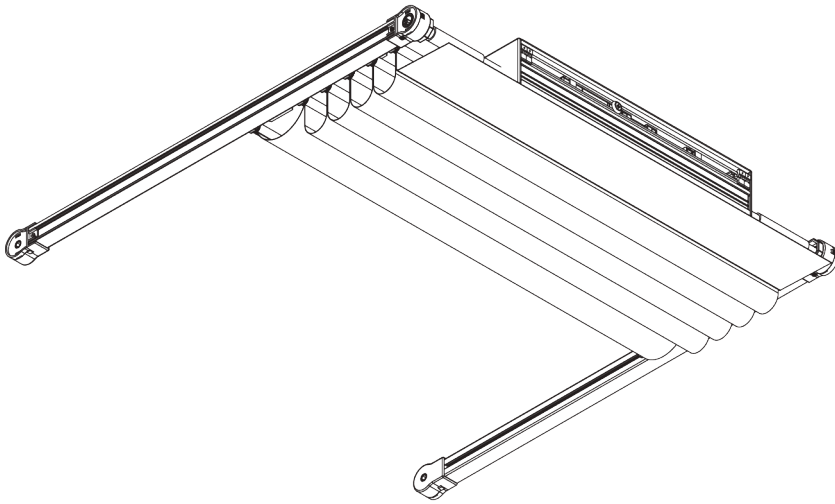


# SG 2195

---



## PRODUCT INFORMATION

- **Operation:** motorised
- **Range:** S - L
- **Fitting:** ceiling, wall
- **Colours:** white RAL 9016 or anodised aluminum, special colours possible
- **Fabrics:** refer to Silent Gliss fabric collection

### **Features:**

- Bendable
- Sloping
- Cantilever
- Special shapes
- Three connected systems
- Various control options

# SYSTEM SPECIFICATIONS

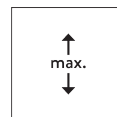
## A. SYSTEM DIMENSIONS



3 m  
(plus 0.8 m each side for cantilever)



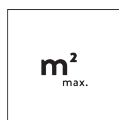
60 cm



6 m



25 kg



18 m<sup>2</sup>

## Max. system sizes and weights - straight systems

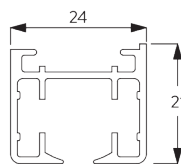
SG 2195	A (m)		B (m)		kg <sub>max.</sub>	m <sup>2</sup> <sub>max.</sub>	
	Type 1	Type 2/3	Type 1	Type 2/3	Type 1/2/3	Type 1/2/3	
	□	2.5	3	6	6	18	18
	▢	2 / 2	2 / 2	6	6	18	24
	▣	1.2 / 1.2 / 1.2	1.2 / 1.2 / 1.2	5	5	18	18
 $\triangle \text{max. } 45^\circ$	□	2.5	3	6	6	25	18
	▢	2.5 / 2.5	2.5 / 2.5	6	6	25	30
	▣	2 / 2 / 2	2 / 2 / 2	6	6	25	36
	□	2.5	3	6	6	25	18
	▢	2.5 / 2.5	2.5 / 2.5	6	6	25	30
	▣	2 / 2 / 2	2 / 2 / 2	6	6	25	36

## Bent systems

SG 2195	A (m)		B (m)		kg <sub>max</sub>	m <sup>2</sup>
	Type 1	Type 2/3	Type 1	Type 2/3	Type 1/2/3	Type 1/2/3
		2.5	2.5	6	6	18
	2 / 2	2 / 2	6	6	18	24
	1.2 / 1.2 / 1.2	1.2 / 1.2 / 1.2	6	6	18	21.6
	2.5	2.5	6	6	18	15
	1.5 / 1.5	1.5 / 1.5	5	5	18	15
	0.8 / 0.8 / 0.8	0.8 / 0.8 / 0.8	5	5	18	12
	2.5	2.5	4	4	15	10
	1.5 / 1.5	1.5 / 1.5	4	4	15	12
	0.8 / 0.8 / 0.8	0.8 / 0.8 / 0.8	3	3	15	7.2

## B. PROFILE

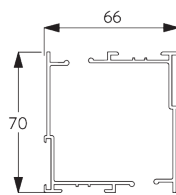
### Profile and bending information



**SG 2191**

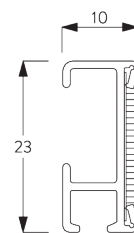
Profile

Radius:  
✓ >25 cm



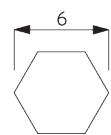
**SG 2151**

Profile



**SG 2116**

Velcro profile



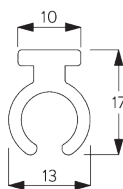
**SG 2111**

Shaft



**SG 2156**

Shaft



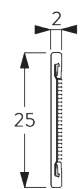
**SG 2231**

Profile



**SG 2246**

Rod PVC ø 5 mm



**SG 2510**

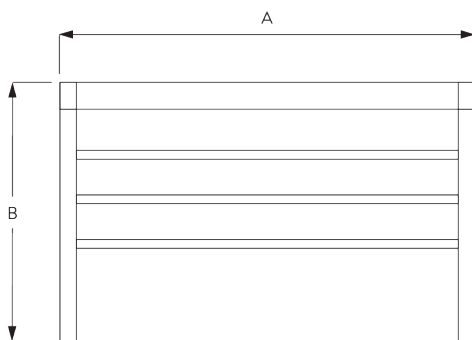
Velcro profile



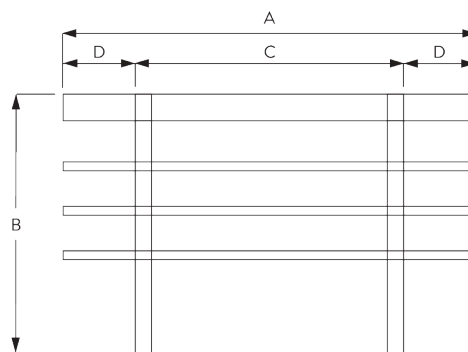
**SG 2759**

Profile

## C. HOW TO MEASURE



A: System width  
B: System height



A: System width  
B: System height  
C: Base system  
D: Cantilever max. 80 cm

## D. SPECIFICATION

### TEXT

### EN

Silent Gliss SG 2195 Electrically Operated Skylight System. Supplied made to measure and complete comprising cassette SG 2151 with enclosed motor SG 2160 complete with drive shaft SG 2156, Glider 2145, Cross rods SG 2759. Aluminium side guide profiles SG 2191 in white or alu finish fixed with SG 3825 clamps at 30cm centres. Can be single, double or triple operation from one motor controlled by fixed switch / third party control system subject to suitable interface by others party / Silent Gliss SG 9940 radio control systems via external receiver. All wiring to be strictly in accordance with Silent Gliss wiring diagrams. Relevant fabric to be chosen from the Silent Gliss fabric range, Price Group 1-4.

### SV

Silent Gliss takfönstersystem SG 2195 med motor. Levereras komplett i specificerat mått innefattande kassett SG 2151 komplett med motor SG 2160 med drivstag SG 2156 tvärrstag SG 2759. Sidoprofiler SG 2191 av aluminium i vitt eller alu natur monterade med vridfästen SG 3825 evt. i kombination med vinkel SG 3036. 30 cm c/c. Upp till 3 system kan kopplas samman och styras via väggkontakt/ via fjärrkontroll system SG 9940 eller via externt styrsystem. Radiokomponenter mot tillägg. All elinstallation skall följa Silent Gliss kopplingschema. Textil från Silent Gliss textilprogram i prisgrupp 1-4 godkänd för användning med systemet.

### NO

Silent Gliss SG 2195 Elektrisk styrt takvindusystem. Leveres komplett på spesifisert mål. Består av kassett SG 2151 komplett med motor SG 2160, drivstag SG 2156 og tværrstag SG 2759. Sideprofil SG 2191 av aluminium i hvit eller alu natur, monteres med vri-fester SG 3825 evt. i kombinasjon med vinkel SG 3036. 30 cm c/c. inntil 3 system kan kobles sammen og styres via veggbryter, fjernkontroll system SG 9940 eller via eksternt styringsystem. Radiokomponenter kommer i tillegg. Silent Gliss koblingskjema skal følges ved alle el-installasjoner. Tekstiler fra Silent Gliss tekstilprogram er godkjent for produktet, prisgruppe 1-4.

### DA

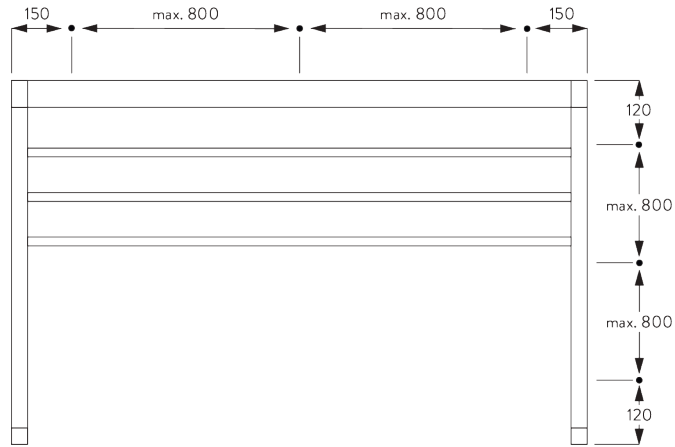
Silent Gliss SG 2195 elektrisk tagvinduesystem. Leveres i ønsket længde og komplet, bestående af kassette SG 2151 medfølgende motor SG 2160, komplet med drivaksel SG 2156, glider 2145, tværstænger SG 2759. Sideprofiler af aluminium SG 2191 i hvidt eller aluminium finish, fastgjort med klemmer SG 3825 med 30 cm afstand. Kan styres enkelt, dobbelt eller tredoblet fra en motor styret af en fast kontakt / tredjeparts styresystem, forudsat at der er en passende grænseflade fra en tredjepart til rådighed / Silent Gliss SG 9940 radiokontrolsystem gennem ekstern modtager. Al ledningsføring skal udelukkende vælges i henhold til Silent Gliss ledningsdiagrammer. Relevant stof vælges fra Silent Gliss stofprogrammet, prisgruppe 1-4.

# FITTING

## A. FITTING INFORMATION

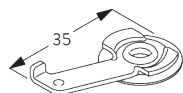
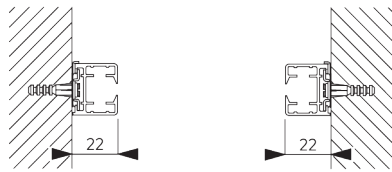
For detailed fitting information, visit the Silent Gliss website.

## Fixing points



## B. INSIDE FITTING

### Clamp SG 3825

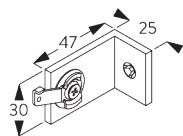
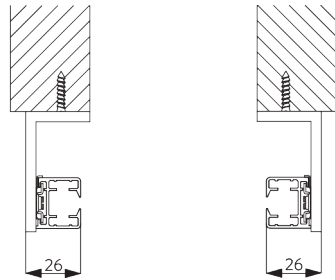


**SG 3825**

*Clamp*

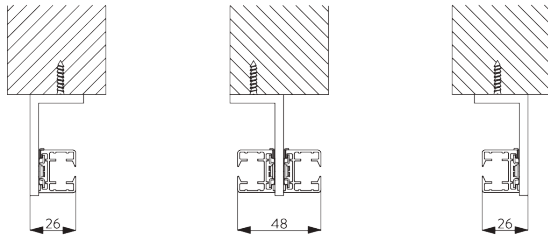
## C. FACE FITTING

### Bracket SG 3181 / SG 3182

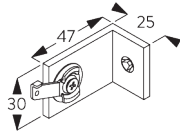


**SG 3181**

*Bracket 1 clamp*

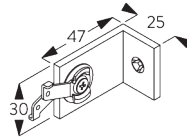


Double system



**SG 3181**

Bracket 1 clamp

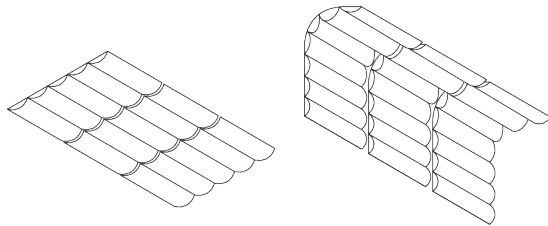


**SG 3182**

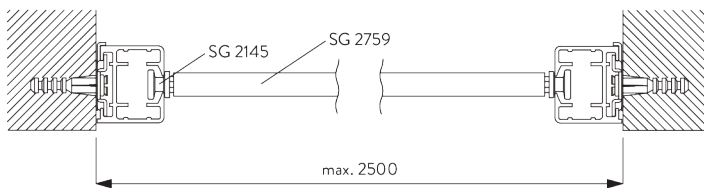
Bracket 2 clamps

# SYSTEM OPTIONS

## A. TWO OR THREE CONNECTED SYSTEMS

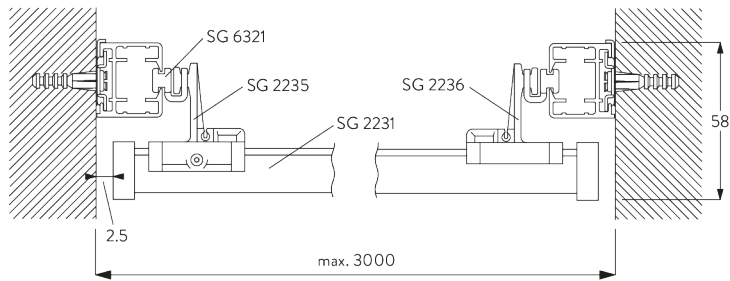


## B. INSTALLATION OPTIONS



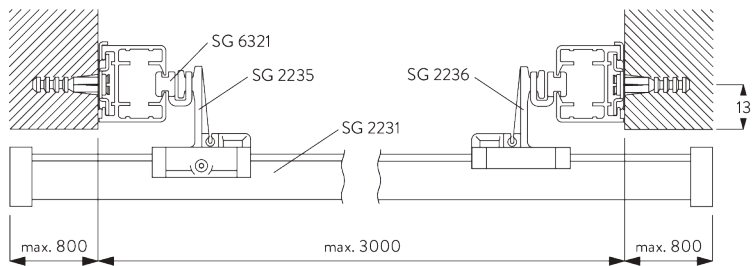
**Type 1**

- SG 2145: Glider
- SG 2759: Profile



**Type 2** (Profiles covered)

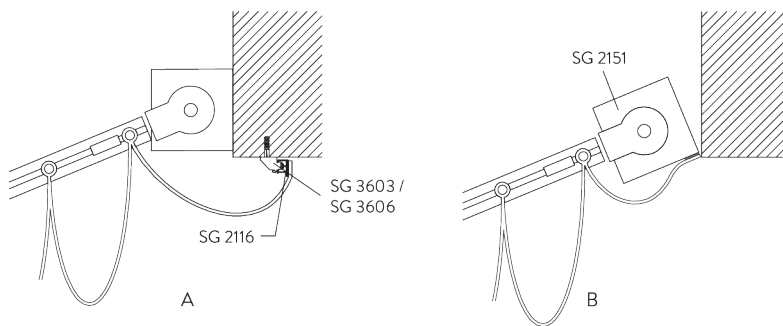
- SG 2231: Profile
- SG 2235: Glider with screw
- SG 2236: Glider without screw
- SG 6321: Glider



**Type 3** (Cantilever version to cover side profiles)

- SG 2231: Profile
- SG 2235: Glider with screw
- SG 2236: Glider without screw
- SG 6321: Glider

**C. FABRIC FIXING**



A: Fixing of fabric with profile SG 2116 (standard)

B: Fixing of fabric directly on headrail cassette

# MOTOR & CONTROLS

## A. MOTOR FEATURES

Motors	SG 2160
<b>Motor Features</b>	
Mechanical end-stop	•
Mechanical revolution counter (limited revolution)	•
Noiseless stop	•
IP class	IP 44
<b>Control Features</b>	
Mains power control	•
SG Control L (external receiver required)	•
Suitable for most major home automation systems (with suitable interface)	•

## B. MOTOR SPECIFICATIONS

Motors	Voltage	Current	Frequency	Speed
SG 2160	230 V AC	0.5 A	50 Hz	26 rpm

## C. OPERATING METHODS

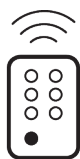
See catalogue "controls" for details.

### Wall Switch



System can be operated by fixed wall switch.

### SG Control L



Various radio hand-held and wall transmitters available. An external receiver is required.



Silent Gliss Move App.

## D. WIRING DIAGRAMS

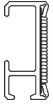
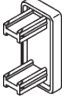
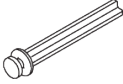

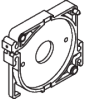
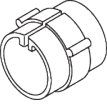


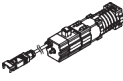
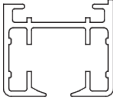
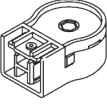
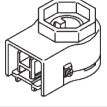
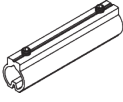
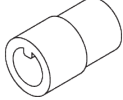


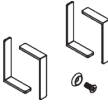
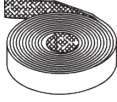
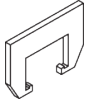
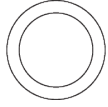
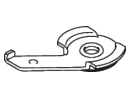
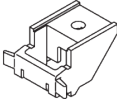
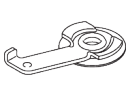
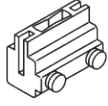
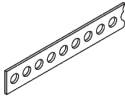

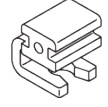
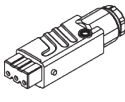
Refer to Silent Gliss website.




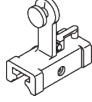
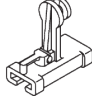
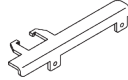
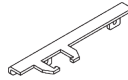
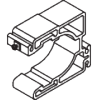
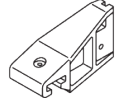

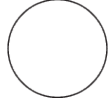


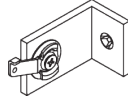
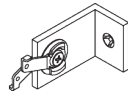

# PARTS

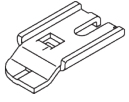
## A. STANDARD PARTS

	<b>SG 2116</b> Velcro profile
	<b>SG 2131</b> End cover
	<b>SG 2145</b> Glider
	<b>SG 2151</b> Profile
	<b>SG 2152</b> Bearing shell
	<b>SG 2153</b> Pulley
	<b>SG 2154</b> End cover
	<b>SG 2156</b> Shaft
	<b>SG 2160</b> Motor 230V AC, JA 06/26 soft
	<b>SG 2191</b> Profile
	<b>SG 2193</b> Guide return
	<b>SG 2230</b> Drive
	<b>SG 2242</b> Connector
	<b>SG 2245</b> Shaft connector

	<b>SG 2247</b> Set Elero 230V
	<b>SG 2539</b> Tape
	<b>SG 2613</b> Connector
	<b>SG 2759</b> Profile
	<b>SG 3004</b> Clamp
	<b>SG 3603</b> Bracket
	<b>SG 3825</b> Clamp
	<b>SG 5005</b> Belt connector
	<b>SG 5130</b> Driving belt
	<b>SG 6086</b> Spring stop
	<b>SG 6321</b> Glider
	<b>SG 9917</b> Hirschmann portable socket-outlet STAK 3 N

## B. OPTIONAL PARTS

	<b>SG 2231</b> Profile
	<b>SG 2235</b> Cross glider
	<b>SG 2236</b> Cross profile glider
	<b>SG 2237</b> Overlap arm right
	<b>SG 2238</b> Overlap arm left
	<b>SG 2239</b> Guide
	<b>SG 2241</b> Halter
	<b>SG 2243</b> End cover
	<b>SG 2246</b> Rod PVC ø 5 mm
	<b>SG 2249</b> Holder
	<b>SG 2510</b> Velcro profile
	<b>SG 3181</b> Bracket 1 clamp
	<b>SG 3182</b> Bracket 2 clamps
	<b>SG 3606</b> Clip

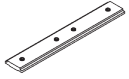


---

**SG 3832**

Bracket

---

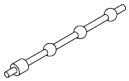


---

**SG 5115**

Connection bridge

---

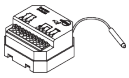


---

**SG 6322**

Distance cord

---

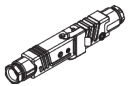


---

**SG 9068**

Radio receiver Revio

---

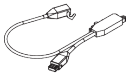


---

**SG 9916**

Hirschmann plug set

---

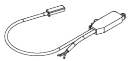


---

**SG 9944**

Radio receiver 1 channel

---

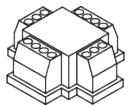


---

**SG 9945**

Radio receiver 1 channel

---



---

**SG 9959**

Central control unit relay

---



---

**SG 10300**

Radio hand held 1 channel

---

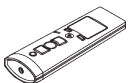


---

**SG 10302**

Radio hand held 5+1 channel

---

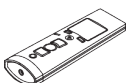


---

**SG 10303**

Radio hand held 10+2+1 channel

---



---

**SG 10804**

Radio hand held 15+5+1 channel

---



---

**SG 11480**

Radio wall transmitter 1 channel

---



---

**SG 11490**

Radio wall transmitter 5+1 channel

---



