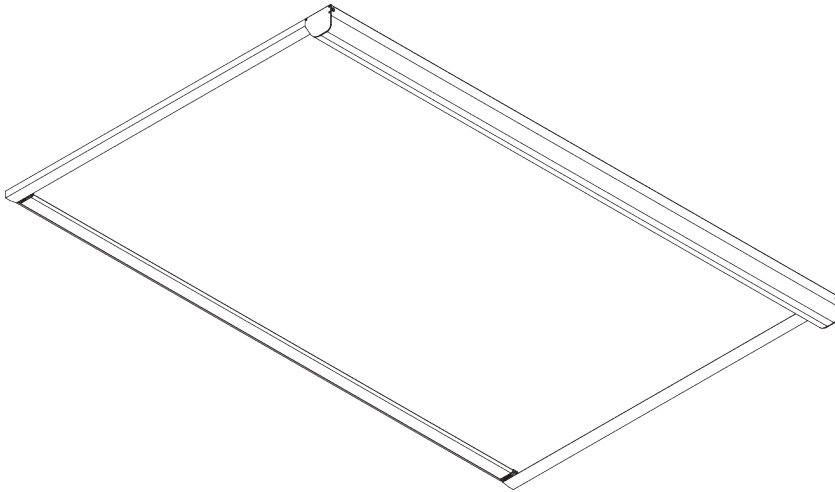


# SG 8640

---



## PRODUCT INFORMATION

- **Operation:** motorised
- **Range:** S - L
- **Fitting:** ceiling, wall, recess
- **Colours:** white RAL 9016, special colours possible
- **Fabrics:** refer to Silent Gliss fabric collection

### **Features:**

- Tensioned roller blind
- Various control options
- Any angle
- Fabric Zip technology
- Dim Out with appropriate fabric selection

# SYSTEM SPECIFICATIONS

## A. SYSTEM DIMENSIONS



3 m



65 cm



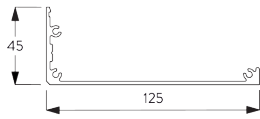
Headbox S / M: 3 m  
Headbox L: 4.5 m



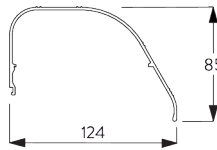
Headbox S / M: 9 m<sup>2</sup>  
Headbox L:  
13 m<sup>2</sup> / 11 m<sup>2</sup>

## B. PROFILE

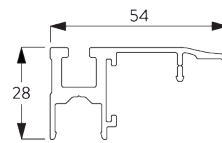
### Profile information



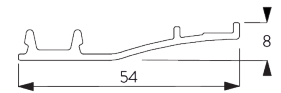
**SG 8641**  
Box case S/M 105x125 mm



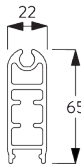
**SG 8642**  
Box cover S/M 105x125 mm



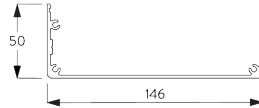
**SG 8643**  
Side guide case inside fitting



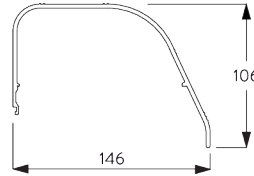
**SG 8644**  
Side guide cover



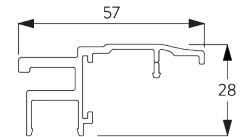
**SG 8645**  
Bottom bar



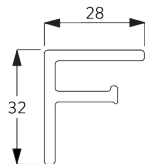
**SG 8661**  
Box case Large 126x146 mm



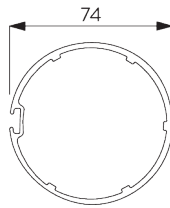
**SG 8662**  
Box cover Large 126x146 mm



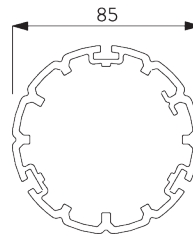
**SG 8663**  
Side guide case inside fitting



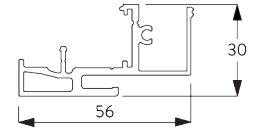
**SG 8664**  
Side guide profile inside fitting



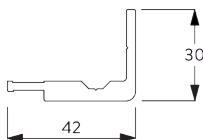
**SG 8665**  
Tube  $\varnothing$  74 mm



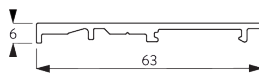
**SG 8666**  
Tube Large  $\varnothing$  85 mm



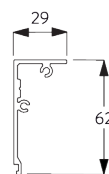
**SG 8672**  
Side guide case



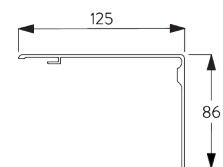
**SG 8673**  
Concealed side guide profile



**SG 8674**  
Concealed side guide cover

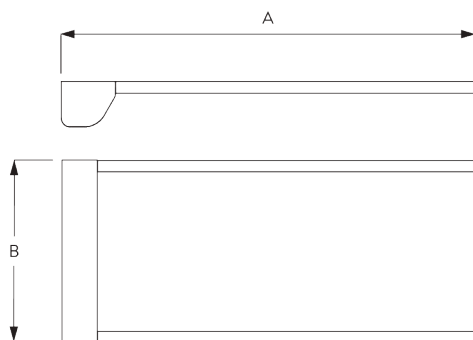


**SG 8677**  
Concealed box cover 105x125 mm



**SG 8678**  
Concealed box cover lid 105x125 mm

### **C. HOW TO MEASURE**



A: System length  
B: System width

### **D. SPECIFICATION TEXT**

#### **EN**

*Silent Gliss SG 8640 Electrically Operated Tensioned Dimout / Solar Screening Roller Blind System. Supplied made to measure and complete comprising (key components) motor SG 8657 / SG 8658 , zip profile SG 8659 - System S/M - Box cover SG 8642, box case SG 8641, aluminium tube SG 8665/ System L - box cover 8662, box case SG 8661, aluminium tube SG 8666. Inside fix - Side guide case SG 8663, side guide profile SG 8664. Face fix - side guide case SG 8643, Side guide cover SG 8644. Concealed recess fix option with box covers SG 8677, SG 8678 side guide case SG 8672, side guide profile SG 8673 and side guide cover SG 8674. Controlled via fixed switch / third party control system subject to suitable interface by others/ SG radio control systems SG 9940 / SG 0450 with external receiver. All radio control components supplied at additional cost. All wiring to be strictly in accordance with Silent Gliss wiring diagrams. Fabric to be chosen from the Silent Gliss fabric range, Price Group 1 / price group 2.*

#### **SV**

*Silent Gliss SG 8640 mörkläggnings/solavskärminingssystem med motor. Levereras i kundmått inkluderande motor SG 8657 / SG 8658, zip profil SG 8659 - System S/M - Kassett kåpa SG 8642, kassett SG 8641, aluminiumrör SG 8665 / System L - kassett kåpa 8662, kassett SG 8661, aluminiumrör SG 8666. Nisch montering - Sidoprofil kåpa SG 8663, sidoprofil SG 8664. Utanpåliggande montering - sidoprofil SG 8643, Sidoprofil kåpa SG 8644. Dold infälld montering med kassett kåpor SG 8677, SG 8678 sidoprofil kåpa SG 8672, sidoprofil SG 8673 and sidoprofil kåpa SG 8674. Kan styras via väggkontakt/ via fjärrkontroll system SG 9940 eller via externt styrsystem. Radiokomponenter mot tillägg. All elinstallation skall följa Silent Gliss kopplingschema. Textil från Silent Gliss textilprogram prisgrupp 1 / 2 godkänd för användning med systemet.*

#### **NO**

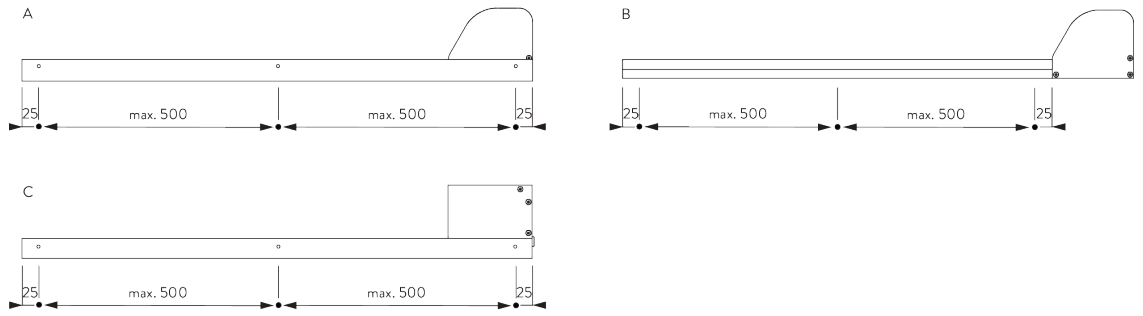
*Silent Gliss SG8640 mørklægging-/ solavskjermingssystem med motor. Leveres måtilpasset. Motor SG 8657 / SG 8658 , zip profil SG 8659 - System S/M - Kassett kåpe SG 8642, kassett SG 8641, aluminiumsrør SG 8665 / System L - kassett kåpe SG 8662, kassett SG 8661, aluminiumsrør SG 8666. Nisjemontering - Sideprofil kåpe SG 8663, sideprofil SG 8664. Utenpåliggende montering - sideprofil SG 8643, Sideprofil kåpe SG 8644. Skjult innfelling montering med kassett kåper SG 8677, SG 8678 sideprofil kåpe SG 8672, sideprofil SG 8673 og sideprofil kåpa SG 8674. Kan styres via veggbryter/ via fjernkontroll system SG 9940 eller via eksternt styringssystem. Radiokomponenter mot tillegg. Alle elektrisk installasjon skal tilkoples i.h.t. Silent Gliss koplingskjema. Tekstil fra Silent Gliss tekstilkolleksjon prisgruppe 1 / 2 er godkjent for bruk på systemet.*

# FITTING

## A. FITTING INFORMATION

### Fixing points

For detailed fitting information, visit the Silent Gliss website.

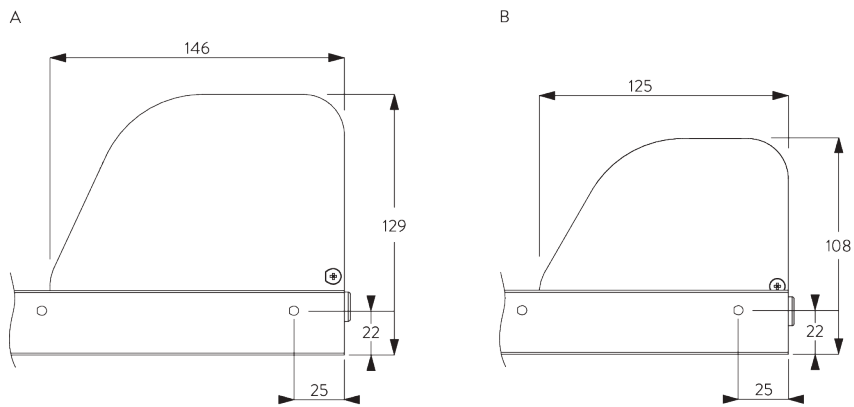


A: Inside recess fitting

B: Face fitting

C: Concealed recess fitting

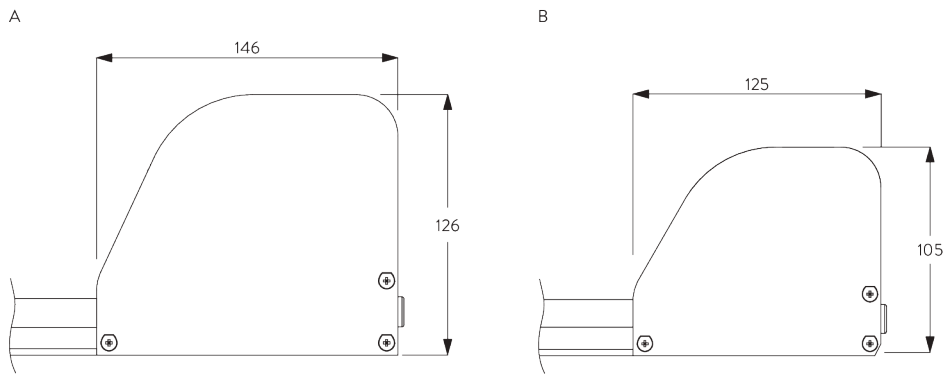
### Headbox dimensions



Inside recess fitting

A: Headbox L

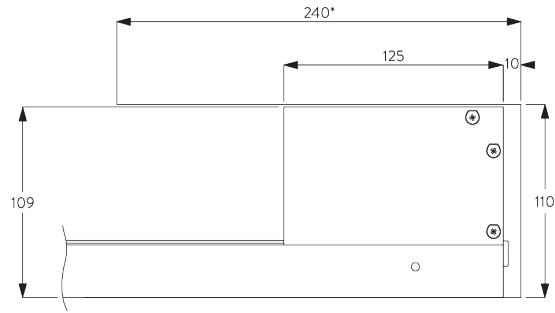
B: Headbox S / M



Face fitting

A: Headbox L

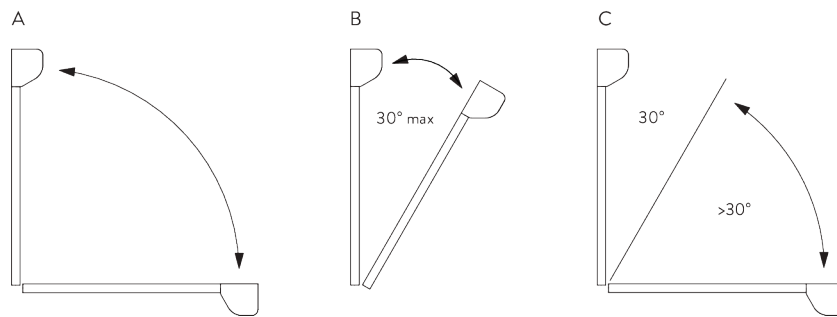
B: Headbox S / M



Concealed recess fitting  
Concealed recess headbox

\*recess depth required to fully conceal hembar when retracted!

### Fitting angles



**A: Headbox S / M:**

3 m wide x 3 m draw / 9 m<sup>2</sup> any angle

**B: Headbox L:**

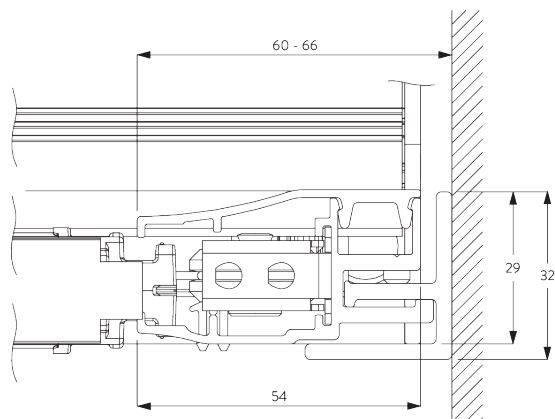
3 m wide x 4.5 m draw / 13 m<sup>2</sup> no greater than 30° from vertical

**C: Headbox L:**

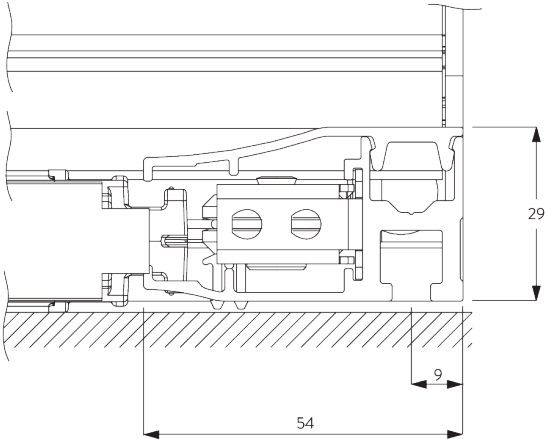
Max. 2.5 m wide x 4.5 m draw / 11 m<sup>2</sup> greater than 30° from vertical

Concealed recess option max. 3 m wide x 3 m draw any angle.

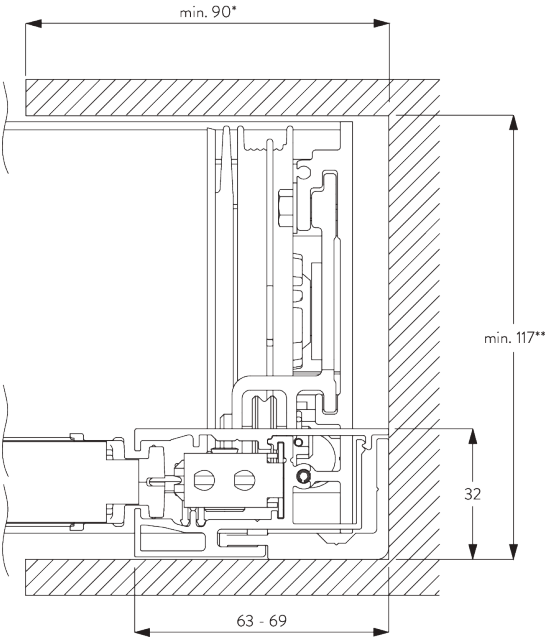
### B. INSIDE RECESS FITTING



**C. FACE FITTING**



**D. CONCEALED RECESS FITTING**



*\*recess depth required to fully conceal hem bar end caps  
\*\*min. 125 mm if head box lid is used*

# MOTOR & CONTROLS

## A. MOTOR FEATURES

Motor	SG 8657 / SG 8658
<b>Motor Features</b>	
Soft start / stop	●
Electronic end-stop	●
Electronic revolution counter (unlimited revolution)	●
Cable connectable with plug into motor	●
IP class	IP 30
<b>Control Features</b>	
Mains power control	●
SG Control L (external receiver required)	●
Suitable for most major home automation systems (with suitable interface)	●

## B. MOTOR SPECIFICATIONS

Motor	Voltage	Current	Frequency	Speed
SG 8657 / SG 8658	100-240 V AC	0.8 A	50 / 60 Hz	12 rpm

## C. OPERATING METHODS

See catalogue "controls" for details.

### Wall Switch



System can be operated by fixed wall switch.

### SG Control L



Various radio hand-held and wall transmitters available. An external receiver is required.



Silent Gliss Move App.

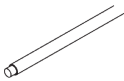








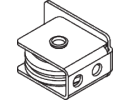


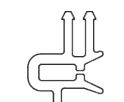

## D. WIRING DIAGRAMS


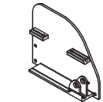
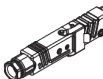


Refer to the Silent Gliss website.



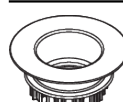


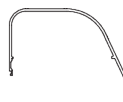
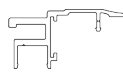



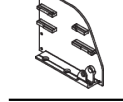



# PARTS

## A. STANDARD PARTS

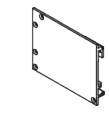
	<b>SG 8619</b> Tension wire $\varnothing$ 1.5 mm
	<b>SG 8641</b> Box case S/M 105x125 mm
	<b>SG 8642</b> Box cover S/M 105x125 mm
	<b>SG 8643</b> Side guide case inside fitting
	<b>SG 8644</b> Side guide cover
	<b>SG 8645</b> Bottom bar
	<b>SG 8646</b> Cable spool left
	<b>SG 8647</b> Cable spool right
	<b>SG 8648</b> Tube adapter
	<b>SG 8649</b> Pulley
	<b>SG 8656</b> Spring
	<b>SG 8657</b> Motor kit
	<b>SG 8659</b> Zip profile
	<b>SG 8665</b> Tube $\varnothing$ 74 mm

	<b>SG 8667</b> End cover left S/M 105x125 mm
	<b>SG 8668</b> End cover right S/M 105x125 mm
	<b>SG 9916</b> Hirschmann plug set

## B. OPTIONAL PARTS

	<b>SG 8651</b> Cable spool left Large
	<b>SG 8652</b> Cable spool right Large
	<b>SG 8653</b> Tube adapter Large
	<b>SG 8658</b> Motor kit L
	<b>SG 8661</b> Box case Large 126x146 mm
	<b>SG 8662</b> Box cover Large 126x146 mm
	<b>SG 8663</b> Side guide case inside fitting
	<b>SG 8664</b> Side guide profile inside fitting
	<b>SG 8666</b> Tube Large $\varnothing$ 85 mm
	<b>SG 8669</b> End cover left Large 126x146 mm
	<b>SG 8671</b> End cover right Large 126x146 mm
	<b>SG 8672</b> Side guide case
	<b>SG 8673</b> Concealed side guide profile
	<b>SG 8674</b> Concealed side guide cover

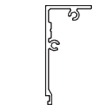


**SG 8675**

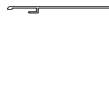
Concealed end cover left 105x125 mm

**SG 8676**

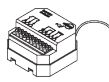
Concealed end cover right 105x125 mm

**SG 8677**

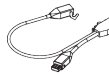
Concealed box cover 105x125 mm

**SG 8678**

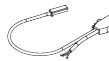
Concealed box cover lid 105x125 mm

**SG 9068**

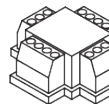
Radio receiver Revio

**SG 9944**

Radio receiver 1 channel

**SG 9945**

Radio receiver 1 channel

**SG 9959**

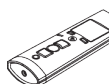
Central control unit relay

**SG 10300**

Radio hand held 1 channel

**SG 10302**

Radio hand held 5+1 channel

**SG 10303**

Radio hand held 10+2+1 channel

**SG 10804**

Radio hand held 15+5+1 channel

**SG 11480**

Radio wall transmitter 1 channel

**SG 11490**

Radio wall transmitter 5+1 channel





