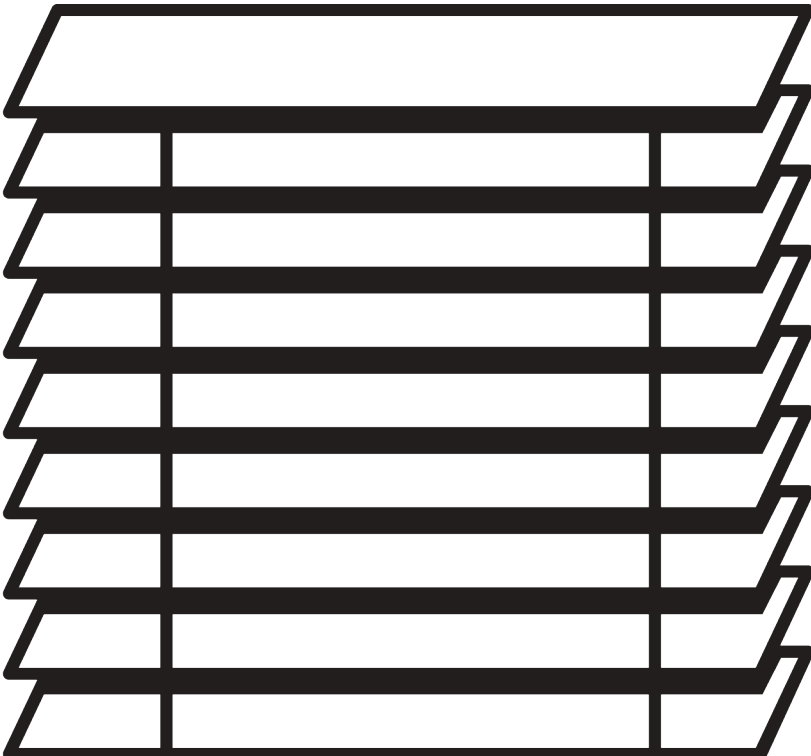


VENETIAN BLIND SYSTEMS



GENERAL NOTES

Dimensions

- *Measurements are in mm except where indicated.*






Fitting

- *Installation by qualified fitter only.*
- *Number of brackets and fitting positions / fixing points vary depending on fitting surface, system weight, slate type, screw / fixing type and obstacles.*
- *Qualified fitter must use appropriate screws / fixings for each situation.*
- *Profile lip if applicable to be installed to room side.*
- *Electrical installations must be carried out according to Silent Gliss wiring diagrams and conform to local regulations.*
- *Check space for cables and plugs!*

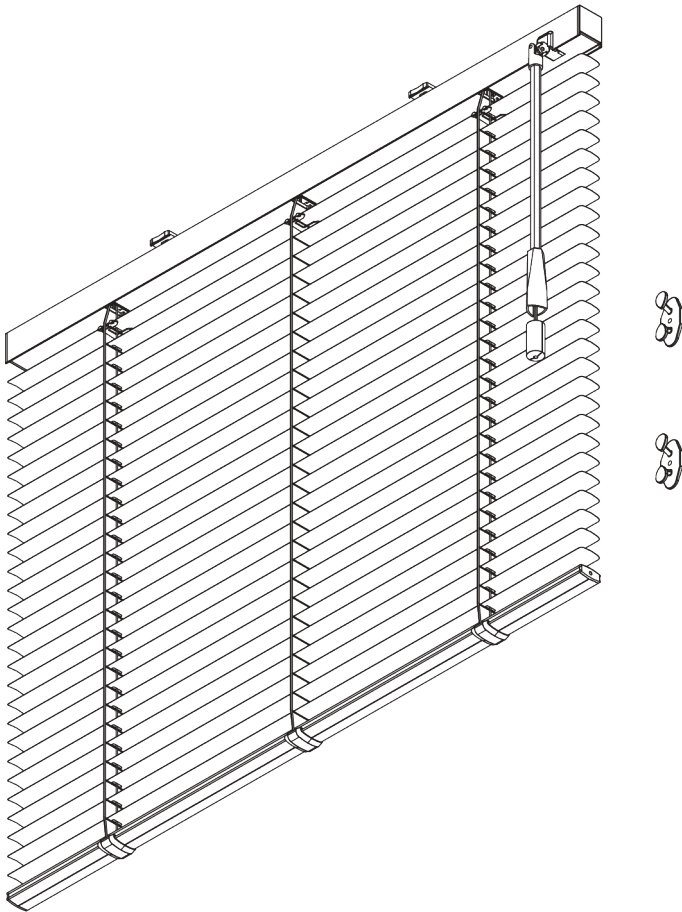
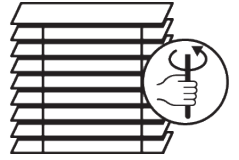
Child Safety

- *All relevant Silent Gliss systems correspond to child safety EN 13120.*
- *All parties involved must comply with EN 13120.*

APPLICATION CHART

<u>PAGE</u>	<u>SYSTEM</u>	<u>OPERATION</u>	<u>DIMENSION</u>	← max. →	↑ max. ↓
5	SG 8110		S - M	3 m	3 m
15	SG 8300		S - M	3 m	3 m
23	SG 8910		L	3.6 m	3.6 m
29	SG 8250		S - M	3 m	3.4 m
39	SG 8960		L	3.6 m	3.6 m

SG 8110



PRODUCT INFORMATION

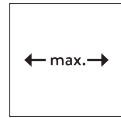
- **Operation** control wand
- **Range:** S - M
- **Fitting:** ceiling, wall
- **Colours:** refer to Silent Gliss slat collection

Features:

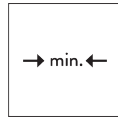
- Optimised light control
- Convenient turning of the slats using the control wand
- Multifunctional control wand
- Slat width: 25 mm (standard), 16 mm
- Privacy control (PC)

SYSTEM SPECIFICATIONS

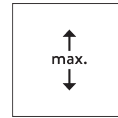
A. SYSTEM DIMENSIONS



25 mm slats: 3 m
16 mm slats: 2.5 m



28 cm

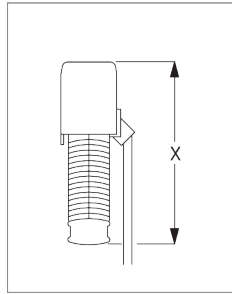


25 mm slats: 3 m
16 mm slats: 2.5 m



25 mm slats: 7 m²
16 mm slats: 5 m²

Slat stack heights

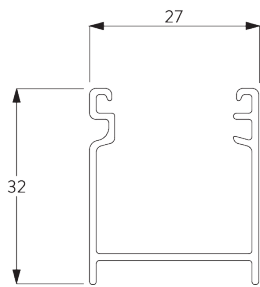


		mm					
		max.					
		50	100	150	200	250	300
25 mm (PC)	X	7	9	11	13	15	17
16 mm	X	7	9	11	13	15	

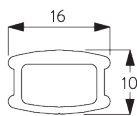
(cm)

B. PROFILE

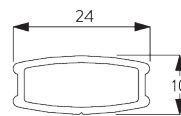
Profile information



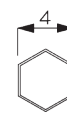
SG 10037
Profile



SG 8003
Bottom bar 16 mm

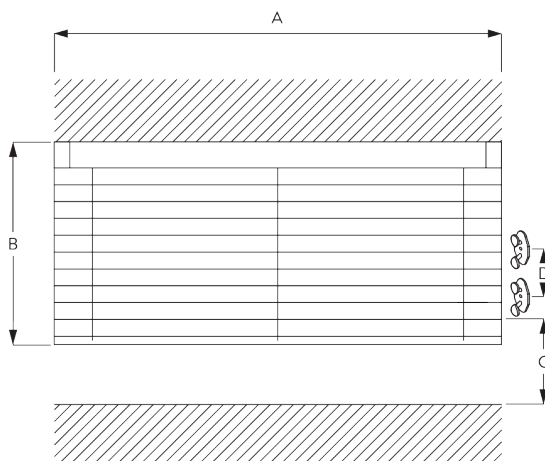


SG 8004
Bottom bar 24 mm



SG 8120
Shaft

C. HOW TO MEASURE



A: System width
B: System height
C: Cleats SG 10742 min. 150 cm above floor
D: 7 - 35 cm depending on system height

D. SPECIFICATION

TEXT

EN

Silent Gliss SG 8110 / SG 8110PC Wand Operated Venetian Blind. Comprising aluminium headrail SG 10037, universal brackets SG 10101, control wand (at set lengths), Left or right-hand operation. SG 8110PC version (25mm slats only) with concealed slat punching. System fixed to ceiling / wall at 800-1000 mm intervals plus one 50 mm from each end. Optional wall fix SG Smart extension brackets. Optional side-guide wires available for sloped applications up to 15° incline from vertical. Compliant to Child Safety Legislation EN13120 when used in conjunction with cleats SG 10742 and break away cord connector SG 10748. Slat to be chosen from Silent Gliss 16 mm or 25mm range, Price Group 1 / 2 / 3.

SV

Silent Gliss SG 8110 / SG 8110PC Persiennsystem med manövreringsstav. Består av aluminium kassett SG 10037, universal fästen SG 10101, manövreringsstav i anpassad längd. Manövrering i vänster eller höger sida. SG 8110PC versionen (endast 25 mm lameller) med dold hålbild i lamellerna. Systemet monteras i tak / på vägg 50 mm från varje ände samt c/c 800-1000 mm. Även väggmontering med Smart Fix fästen. Alternativ med sidowire för max. lutning 15 grader. Uppfyller med fäste SG 10742/10748 barnsäkerhetsnorm EN 13120. Färg lameller väljs från Silent Gliss kollektion med 16 / 25 mm prisgrupp 1-3.

NO

Silent Gliss SG 8300 Persiennsystem med betjeningsstav. Leveres på ønsket mål. Komplet med aluminiumskassett SG 10037 med universalfester SG 10101, betjeningsstav i tilpasset høyde. Betjening på høyre eller venstre side. SG 8110PC versjon (kun 25 mm lameller) med skjult hullstansing i lamellene. Systemet monteres i tak/vegg 50 mm fra hver ende, samt c/c 800-1000 mm. Også ved veggmontering med Smart Fix fester. Alternativt med sidewire for max. helning på 15 grader. Ved bruk av feste SG 10742 / SG 10748 oppfylles barnesikkerhetsnormen EN 13120. Farge på lamellene velges fra Silent Gliss kolleksjon med 16 / 25 mm, prisgruppe 1-3.

DA

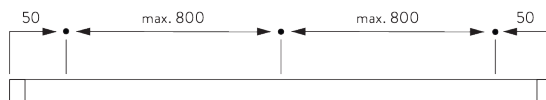
Silent Gliss SG 8110 / SG 8110PC persienne med stangstyring. Består af aluminiumkassette SG 10037, universalbeslag SG 10101, kontrolstang (med indstillede længder), styring med venstre eller højre hånd. SG 8110PC version (kun 25 mm lameller) med skjulte lamelhuller. Systemet fastgøres til loft eller væg med afstande på 800-1000 mm plus en på 50mm fra hver ende. Kan også fastgøres på væg med SG Smart forlængerbeslag. Valgfri styrestrenges fås til anvendelser med hældning op til 15° fra lodret. Overholder lovgivning om børnesikkerhed efter EN 13120. når den bruges i sammenhæng med klamper SG 10742 og snorforbindelse SG 10748. Lamel vælges fra Silent Gliss 16 mm eller 25 mm-programmet, prisgruppe 1 / 2 / 3.

FITTING

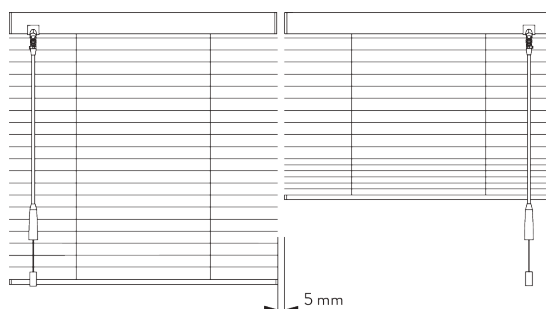
A. FITTING INFORMATION

Fixing points

For detailed fitting information, visit the Silent Gliss website.



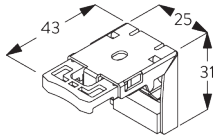
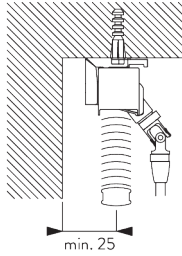
Side-by-side fitting



Min. distance: 5 mm

B. CEILING FITTING

Bracket SG 10101

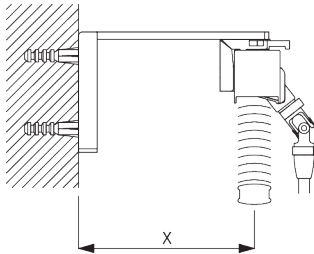


SG 10101

Bracket

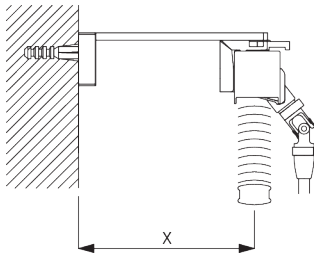
C. WALL FITTING

Smart Fix



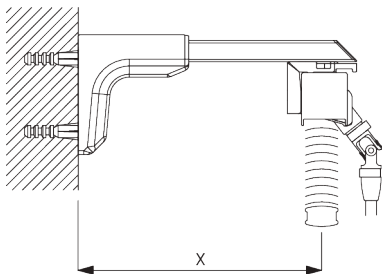
Smart Fix SG 11200 - SG 11201 and bracket SG 10101:

Screw SG 10395 (M4x6) needed.



Square Smart Fix SG 11210 - SG 11211 and bracket SG 10101:

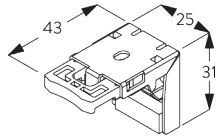
Screw SG 10395 (M4x6) needed.



Universal Smart Fix SG 11154 - SG 11156 and bracket SG 10101:

Screw SG 10407 (M4x10) needed.

Smart Fix	X mm
SG 11200 / SG 11210	57-59
SG 11201 / SG 11211	77-79
SG 11154	107-135
SG 11155	137-165
SG 11156	187-215



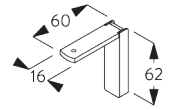
SG 10101
Bracket



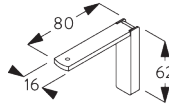
SG 10395
Pan head screw M4x6



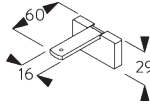
SG 10407
Pan head screw M4x10



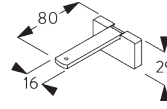
SG 11200
Smart Fix 60 mm



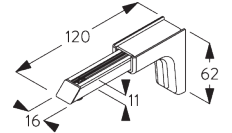
SG 11201
Smart Fix 80 mm



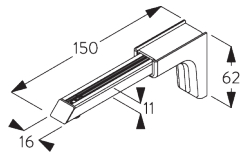
SG 11210
Square Smart Fix 60 mm



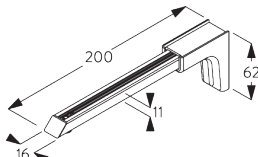
SG 11211
Square Smart Fix 80 mm



SG 11154
Universal Smart Fix 120 mm

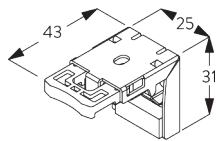
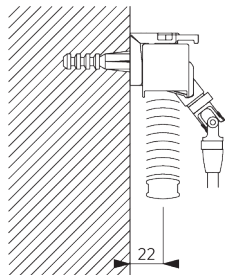


SG 11155
Universal Smart Fix 150 mm



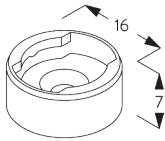
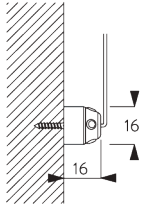
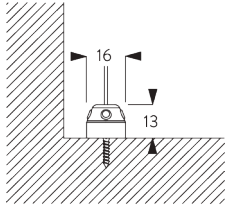
SG 11156
Universal Smart Fix 200 mm

Bracket SG 10101

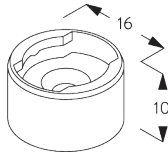


SG 10101
Bracket

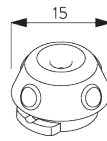
**D. FITTING WITH
SIDE GUIDE
OPTION**



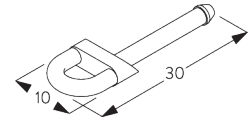
SG 8235
Side guide wire base short



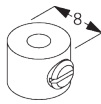
SG 8236
Side guide wire base long



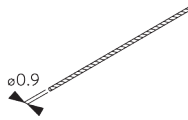
SG 8237
Side guide wire holder



SG 8241
Side guide eyelet



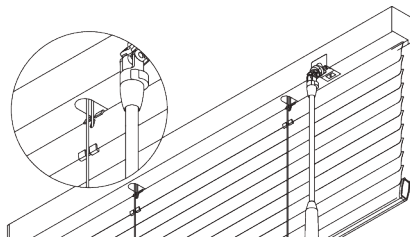
SG 8249
Side guide device



SG 10120
Side guide wire ø 0.9 mm

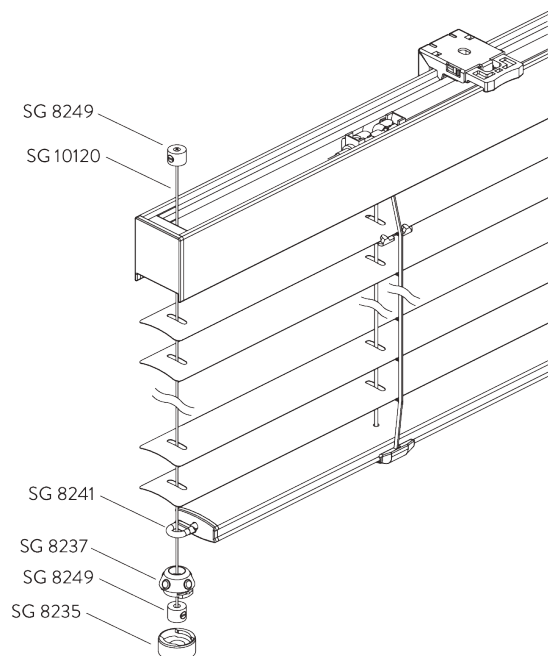
SYSTEM OPTIONS

**A. PRIVACY
CONTROL (PC)**



To avoid direct light ingress when slats are closed.
For 25 mm slats only. Not applicable with side guides.

B. SIDE GUIDES



Additional parts:

- 2x SG 8235 Side guide wire base short
- 2x SG 8237 Side guide wire holder
- 2x SG 8241 Side guide eyelet
- 4x SG 8249 Side guide device
- 2x SG 10120 Side guide wire \varnothing 0.9 mm

Note:

- Up to 15° from vertical

PARTS

A. STANDARD PARTS



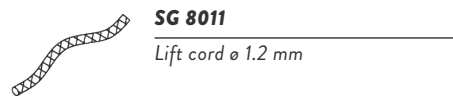
SG 8004

Bottom bar 24 mm



SG 8007

Slat 25 mm



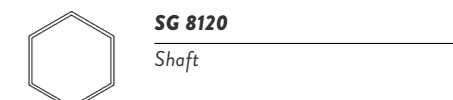
SG 8011

Lift cord \varnothing 1.2 mm



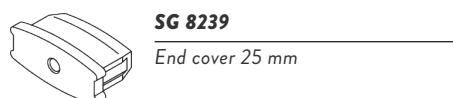
SG 8013

Bottom clip 25 mm



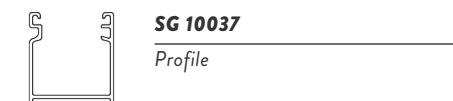
SG 8120

Shaft



SG 8239

End cover 25 mm



SG 10037

Profile



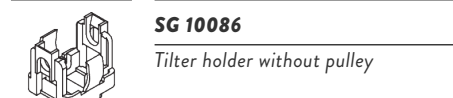
SG 10077

End cover



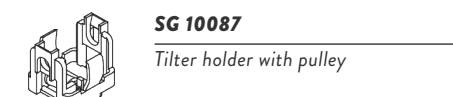
SG 10081

Shaft stop



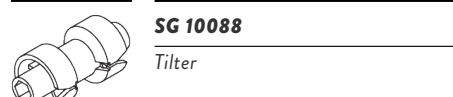
SG 10086

Tilter holder without pulley



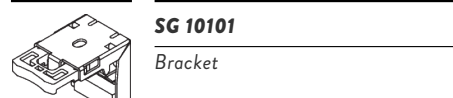
SG 10087

Tilter holder with pulley



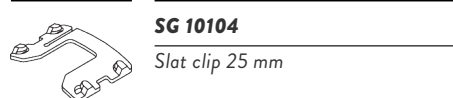
SG 10088

Tilter



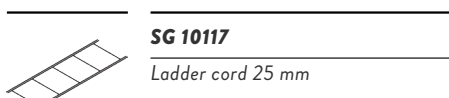
SG 10101

Bracket



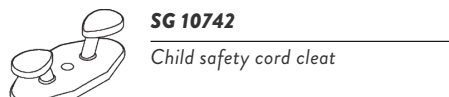
SG 10104

Slat clip 25 mm



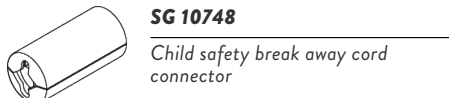
SG 10117

Ladder cord 25 mm



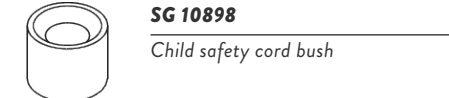
SG 10742

Child safety cord cleat



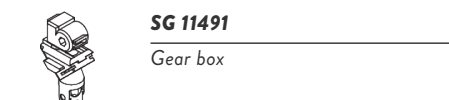
SG 10748

Child safety break away cord connector



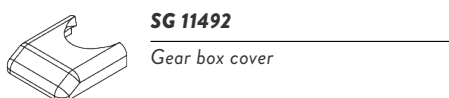
SG 10898

Child safety cord bush



SG 11491

Gear box



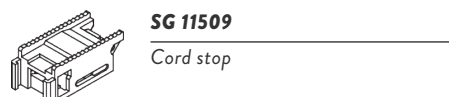
SG 11492

Gear box cover



SG 11496

Control wand 680 mm



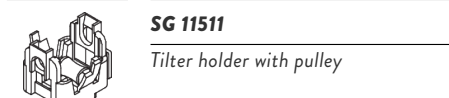
SG 11509

Cord stop



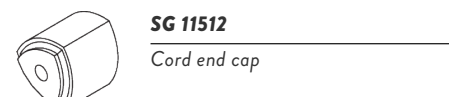
SG 11510

Cord stop cover



SG 11511

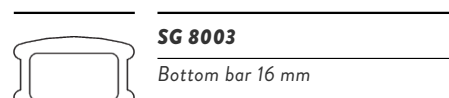
Tilter holder with pulley



SG 11512

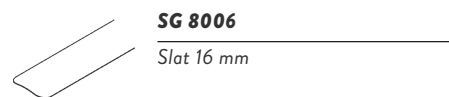
Cord end cap

B. OPTIONAL PARTS



SG 8003

Bottom bar 16 mm



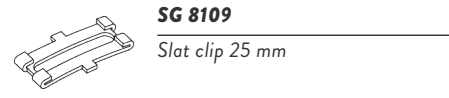
SG 8006

Slat 16 mm



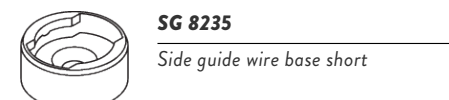
SG 8012

Bottom clip 16 mm



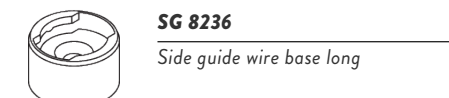
SG 8109

Slat clip 25 mm



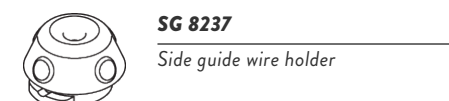
SG 8235

Side guide wire base short



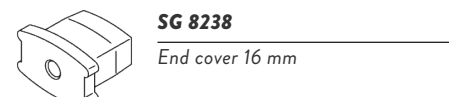
SG 8236

Side guide wire base long



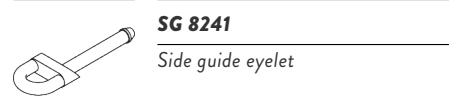
SG 8237

Side guide wire holder



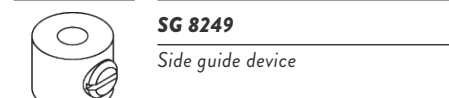
SG 8238

End cover 16 mm



SG 8241

Side guide eyelet



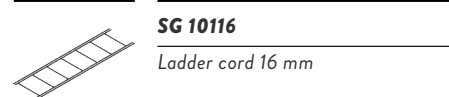
SG 8249

Side guide device



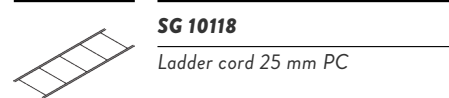
SG 10109

Slat clip 16 mm



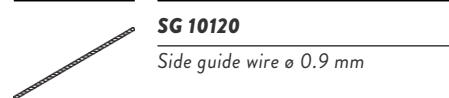
SG 10116

Ladder cord 16 mm



SG 10118

Ladder cord 25 mm PC

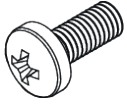


SG 10120

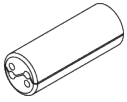
Side guide wire \varnothing 0.9 mm



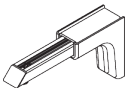
SG 10395
Pan head screw M4x6



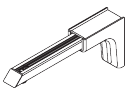
SG 10407
Pan head screw M4x10



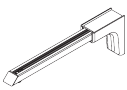
SG 10745
Child safety break away cord connector



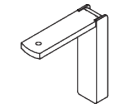
SG 11154
Universal Smart Fix 120 mm



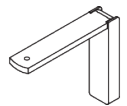
SG 11155
Universal Smart Fix 150 mm



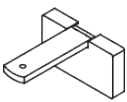
SG 11156
Universal Smart Fix 200 mm



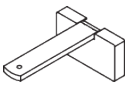
SG 11200
Smart Fix 60 mm



SG 11201
Smart Fix 80 mm



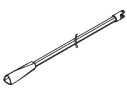
SG 11210
Square Smart Fix 60 mm



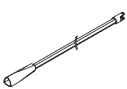
SG 11211
Square Smart Fix 80 mm



SG 11494
Control wand 320 mm



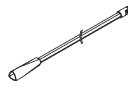
SG 11495
Control wand 480 mm



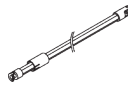
SG 11497
Control wand 880 mm



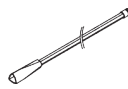
SG 11498
Control wand 1080 mm



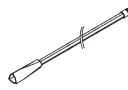
SG 11499
Control wand 1280 mm



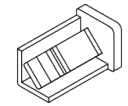
SG 11501
Extension 900 mm



SG 11505
Control wand for extension 580 mm

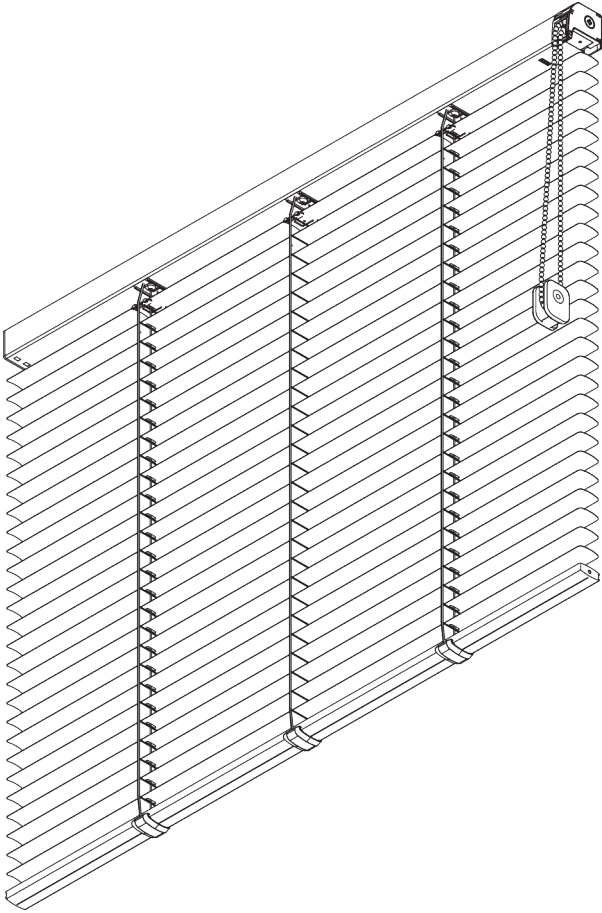
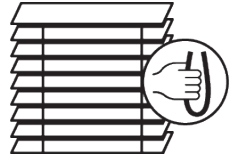


SG 11506
Control wand for extension 780 mm



SG 11516
Wedge

SG 8300



PRODUCT INFORMATION

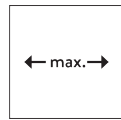
- **Operation:** chain
- **Range:** S - M
- **Fitting:** ceiling, wall
- **Colours:** refer to Silent Gliss slat collection

Features:

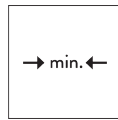
- Optimised light control
- Mono controlled
- Stainless steel bead chain
- Slat width: 25 mm (standard), 16 mm

SYSTEM SPECIFICATIONS

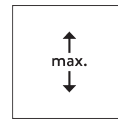
A. SYSTEM DIMENSIONS



3 m



50 cm



3 m



4.5 m²

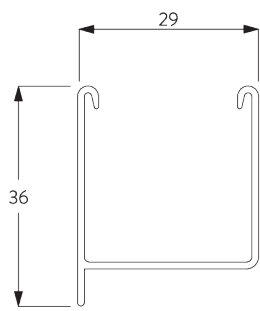
Slat stack heights

		50	100	150	200	250	300
16 / 25 mm	X	7	9	11	13	15	17

(cm)

B. PROFILE

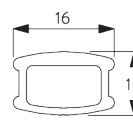
Profile information



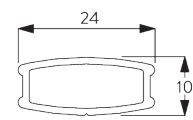
SG 8301
Profile



SG 8214
Profile ø 18 mm

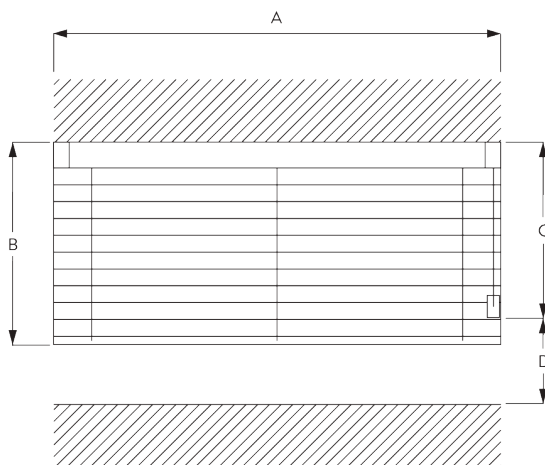


SG 8003
Bottom bar 16 mm



SG 8004
Bottom bar 24 mm

C. HOW TO MEASURE



- A: System width
- B: System height
- C: Chain height
- D: Safety Retainer SG 10731 min. 150 cm above floor

D. SPECIFICATION

TEXT

EN

Silent Gliss SG 8300 Chain Operated Venetian Blind. Supplied made to measure and complete comprising aluminium headrail SG 8301 incorporating flange to minimise light ingress at top of blind. Single chain operation RHS / LHS. System fixed with Snap-on-brackets SG 8302 to ceiling / wall at 800-1000 mm intervals plus one 70 mm from each end. Compliant to Child Safety legislation EN 13120 when used in conjunction with either the chain retainer SG 10400 or child safety device SG 10482. Slat colour to be chosen from Silent Gliss 16 / 25 mm range, Price Group 1-3.

SV

Silent Gliss SG 8300 Persiennsystem med kedja. Levereras i kundens mått komplett med aluminiumkassett SG 8301 med list för att minimera ljusinsläpp i systemets ovkant. Kedjemanövrering i vänster eller höger sida. Systemet monteras med snäppfästen SG 8302 i tak/vägg, 70 mm från varje ände samt c/c 800-1000 mm. Uppfyller med fäste SG 10400 / SG 10482 barnsäkerhetsnorm EN 13120. Färg lameller väljs från Silent Gliss kollektion med 16 / 25 mm prisgrupp 1-3.

NO

Silent Gliss SG 8300 Persiennsystem med kjede. Leveres på ønsket mål. Komplet med aluminiumkassett SG 8301 med list for minimalt lysinnslipp i overkant av systemet. Kjedeføring på høyre eller venstre side. Systemet monteres med klipsfester SG 8302 i tak/vegg, 70 mm fra hver ende c/c 800 / 1000 mm. Veg brukk av feste SG 10400 / SG 10482 oppfylles barnesikkerhetsnorm EN 13120. Farge på lamellene velges fra Silent Gliss kolleksjon med 16 / 25 mm, prisgruppe 1-3.

DA

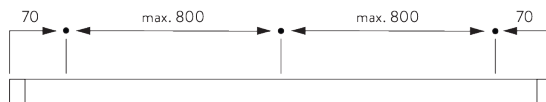
Silent Gliss SG 8300 persienne med kædestyring. Leveres i ønsket længde og komplet, bestående af aluminiumkassette SG 8301 med flange, der mindsker indtrængende lys i toppen af persienne. Styling med enkelt kæde RHS / LHS. Systemet fastgøres med beslag SG 8302 til loft eller væg med afstande på 800-1000 mm plus en på 70 mm fra hver ende. Overholder lovgivning om barnesikkerhed efter EN 13120, når den bruges i sammenhæng med kædeholder SG 10400 eller barnesikkerhedsanordning SG 10482. Lamelfarven vælges fra Silent Gliss 16 / 25 mm-programmet, prisgruppe 1-3.

FITTING OPTIONS

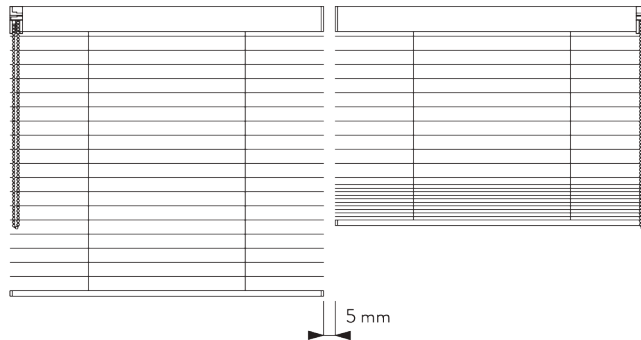
A. FITTING INFORMATION

Fixing points

For detailed fitting information, visit the Silent Gliss website.



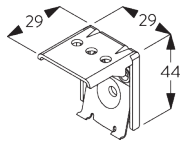
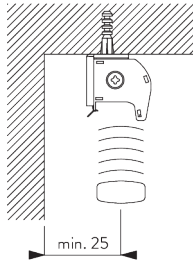
Side-by-side fitting



Min. distance: 5 mm

B. CEILING FITTING

Bracket SG 8302

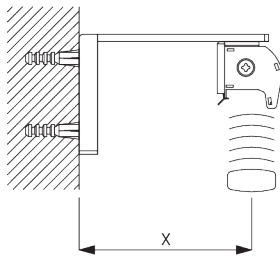


SG 8302

Bracket

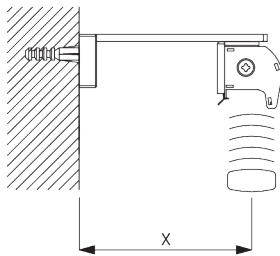
C. WALL FITTING

Smart Fix



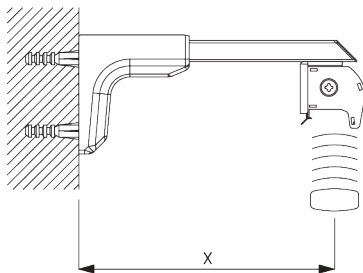
Smart Fix SG 11200 - SG 11201 and bracket SG 8302:

Screw SG 10395 (M4x6) needed.



**Square Smart Fix SG 11210 - SG 11211
and bracket SG 8302:**

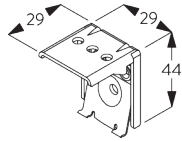
Screw SG 10395 (M4x6) needed.



**Universal Smart Fix SG 11154 - SG 11156
and bracket SG 8302:**

Screw SG 10407 (M4x10) needed.

Smart Fix	X mm
SG 11200 / SG 11210	59
SG 11201 / SG 11211	79
SG 11154	109-137
SG 11155	139-167
SG 11156	189-217



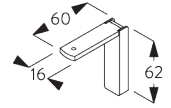
SG 8302
Bracket



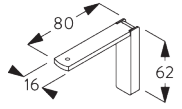
SG 10395
Pan head screw M4x6



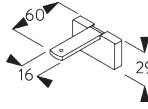
SG 10407
Pan head screw M4x10



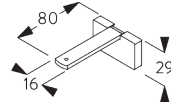
SG 11200
Smart Fix 60 mm



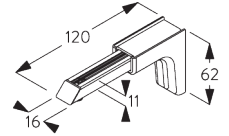
SG 11201
Smart Fix 80 mm



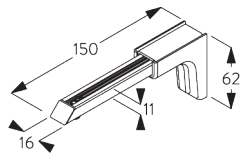
SG 11210
Square Smart Fix 60 mm



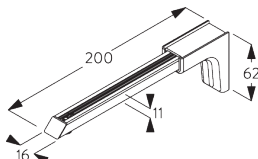
SG 11211
Square Smart Fix 80 mm



SG 11154
Universal Smart Fix 120 mm

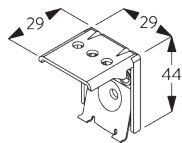
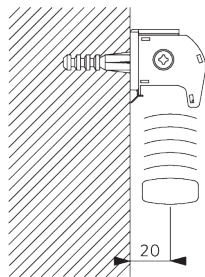


SG 11155
Universal Smart Fix 150 mm



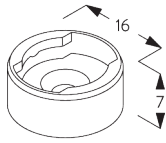
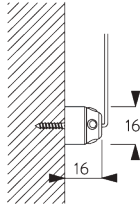
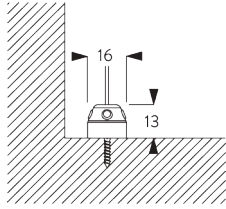
SG 11156
Universal Smart Fix 200 mm

Bracket SG 8302

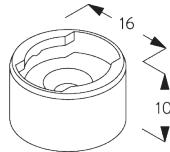


SG 8302
Bracket

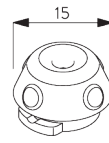
**D. FITTING WITH
SIDE GUIDE
OPTION**



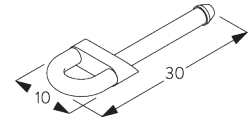
SG 8235
Side guide wire base short



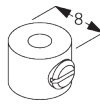
SG 8236
Side guide wire base long



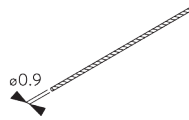
SG 8237
Side guide wire holder



SG 8241
Side guide eyelet



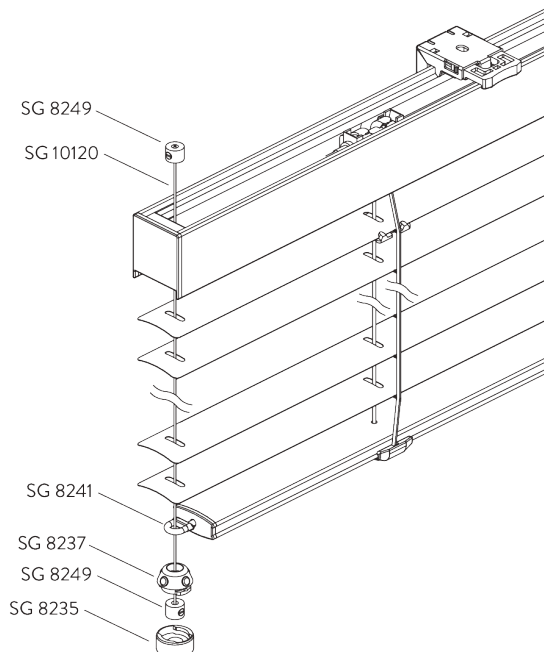
SG 8249
Side guide device



SG 10120
Side guide wire \varnothing 0.9 mm

SYSTEM OPTIONS

A. SIDE GUIDES



Additional parts:



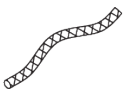


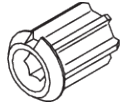


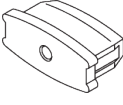
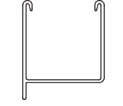
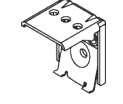
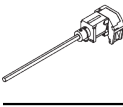
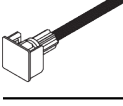
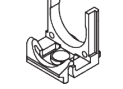
- 2x SG 8235 Side guide wire base short
- 2x SG 8237 Side guide wire holder
- 2x SG 8241 Side guide eyelet
- 4x SG 8249 Side guide device
- 2x SG 10120 Side guide wire \varnothing 0.9 mm

Note:





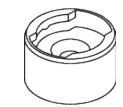
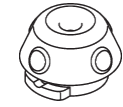
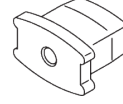
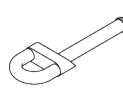

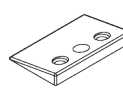
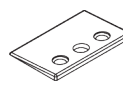
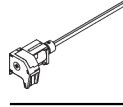
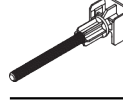
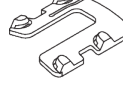
- Up to 15° from vertical

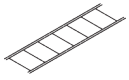
PARTS

A. STANDARD PARTS

	SG 8004 Bottom bar 24 mm
	SG 8007 Slat 25 mm
	SG 8011 Lift cord ø 1.2 mm
	SG 8013 Bottom clip 25 mm
	SG 8214 Profile ø 18 mm
	SG 8215 Tube adapter
	SG 8222 Ring
	SG 8224 Pin
	SG 8239 End cover 25 mm
	SG 8301 Profile
	SG 8302 Bracket
	SG 8305 Chain drive right
	SG 8317 Spindle left
	SG 8321 Support

B. OPTIONAL PARTS

	SG 8003 Bottom bar 16 mm
	SG 8006 Slat 16 mm
	SG 8012 Bottom clip 16 mm
	SG 8235 Side guide wire base short
	SG 8236 Side guide wire base long
	SG 8237 Side guide wire holder
	SG 8238 End cover 16 mm
	SG 8241 Side guide eyelet
	SG 8249 Side guide device
	SG 8262 Spacer 10°
	SG 8263 Spacer 4°
	SG 8306 Chain drive left
	SG 8316 Spindle right
	SG 10109 Slat clip 16 mm

**SG 10116**

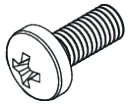
Ladder cord 16 mm

**SG 10120**

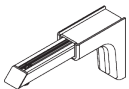
Side guide wire ø 0.9 mm

**SG 10395**

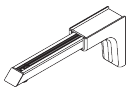
Pan head screw M4x6

**SG 10407**

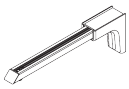
Pan head screw M4x10

**SG 11154**

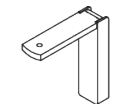
Universal Smart Fix 120 mm

**SG 11155**

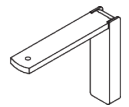
Universal Smart Fix 150 mm

**SG 11156**

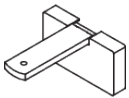
Universal Smart Fix 200 mm

**SG 11200**

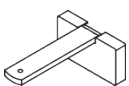
Smart Fix 60 mm

**SG 11201**

Smart Fix 80 mm

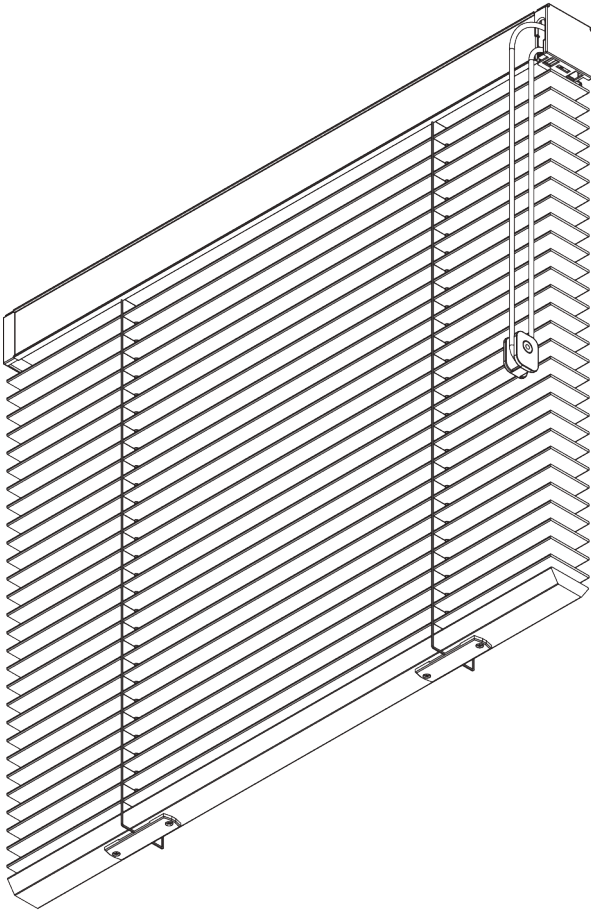
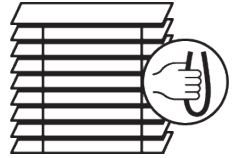
**SG 11210**

Square Smart Fix 60 mm

**SG 11211**

Square Smart Fix 80 mm

SG 8910



PRODUCT INFORMATION

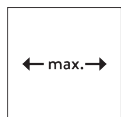
- **Operation:** cord
- **Range:** L
- **Fitting:** ceiling, wall
- **Colours:** refer to Silent Gliss slat collection

Features:

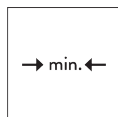
- Optimised light control
- Speed controller: semi-automatic lowering of slats
- Wood, aluminium and leather slats
- Slat width: 50 mm
- Headrail slat cover
- Choice of ladder cord or decorative slat tape

SYSTEM SPECIFICATIONS

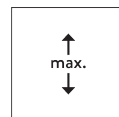
A. SYSTEM DIMENSIONS



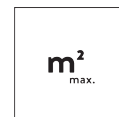
Wood / Leather: 2.4 m
Aluminium: 3.6 m



65 cm



Wood / Leather: 2.75 m
Aluminium: 3.6 m



Wood / Leather: 4.6 m²
Aluminium: 10 m²

Slat stack heights

Note: stack size will be larger when tapes are used

Wooden

	50 mm	X								
			60	90	120	150	180	210	240	275
			12	15	17	20	22	25	27	30

(cm)

Leather

	50 mm	X								
			60	90	120	150	180	210	240	275
			14	16	18	20	22	24	26	28

(cm)

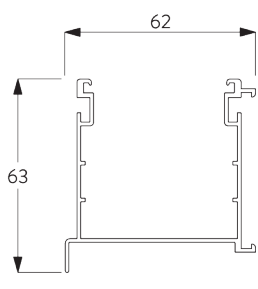
Aluminium

	50 mm	X				
			100	200	300	360
			10	13	17	20

(cm)

B. PROFILE

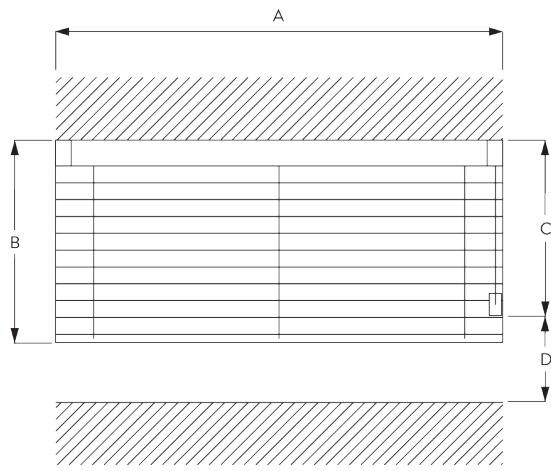
Profile information



SG 8902

Profile

C. HOW TO MEASURE



- A: System width
- B: System height
- C: Cord height
- D: Safety Retainer SG 10731 min. 150 cm above floor

D. SPECIFICATION TEXT

EN

Silent Gliss SG 8910 Cord Operated Venetian Blind. Supplied made to measure and complete comprising aluminium headrail SG 8902 incorporating matching colour slat, right or left-hand side single cord operation which permits raising, lowering and tilting of the slats. System fixed with universal brackets SG 8920 to ceiling or wall at 500mm intervals plus one at 100 mm from each end. Compliant to Child Safety legislation EN 13120 when used in conjunction with Cord Retainer SG 10731. Slat colours to be chosen from Silent Gliss 50 mm aluminium / wood / leather range.

SV

Silent Gliss SG 8910 Persienn med lina. Lameller 50 mm djup. Levereras i kundens mått komplett med aluminiumkassett SG 8902 med färgmatchande lameller och lina för manövrering i vänster eller höger sida för att hissa upp, ner samt vinkla lamellerna. Montering av kassett med beslag SG 8920 mot vägg c/c 500 mm samt 100 mm från varje ände. Uppfyller med linfäste SG 10731 barnsäkerhetsnorm EN 13120. Färg lameller väljs från Silent Gliss kollektion med 50 mm lameller i alu, trä eller läder.

NO

Silent Gliss SG 8910 Persienne med snor. Lameller med 50 mm dybde. Leveres på mål. Komplet med aluminiumkassett. SG 8902 med matchende lameller og betjeningssnor på venstre eller høyre side. Kun en snor for betjening, vinkling av lameller og for å trekke opp. Kassetten monteres med beslag SG 8920 mot vegg c/c 500 mm samt 100 mm fra her ende. Med snorfeste SG 10731 oppfylles barnesikkerhetsnormen EN 13120. Farge på lamellene velges fra Silent Gliss kolleksjon med 50 mm lameller i alu, tre eller skinn.

DA

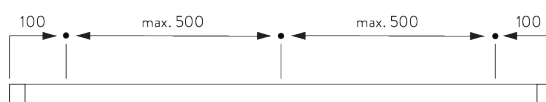
Silent Gliss SG 8910 persienne med snortræk. Leveres i ønsket længde og komplet, bestående af aluminiumkassette SG 8902 med lameller i matchende farver og snor til styring i venstre eller højre side, der gør det muligt at løfte, sænke og hælde lamellerne. Systemet fastgøres med universalbeslag SG 8920 til loft eller væg med afstande på 500 mm plus en på 100 mm fra hver ende. Overholder lovgivning om barnesikkerhed efter EN 13120., når det bruges i sammenhæng med snorholder SG 10731. Lamellernes farve vælges blandt Silent Gliss 50 mm aluminium / træ / læder program.

FITTING

A. FITTING INFORMATION

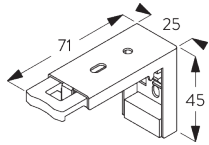
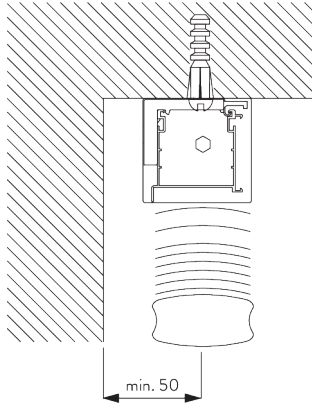
Fixing points

For detailed fitting information, visit the Silent Gliss website.



B. CEILING FITTING

Bracket SG 8920

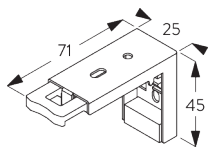
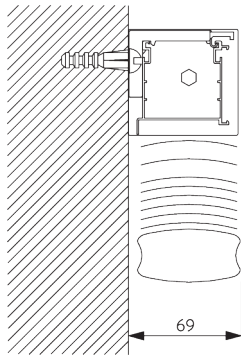


SG 8920

Bracket

C. WALL FITTING

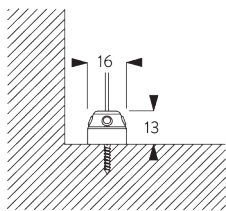
Bracket SG 8920

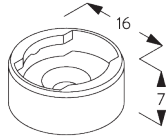


SG 8920

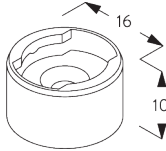
Bracket

D. FITTING WITH SIDE GUIDE OPTION

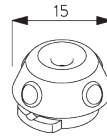




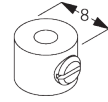
SG 8235
Side guide wire base short



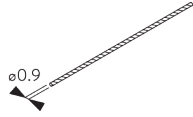
SG 8236
Side guide wire base long



SG 8237
Side guide wire holder



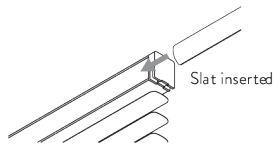
SG 8249
Side guide device



SG 10120
Side guide wire \varnothing 0.9 mm

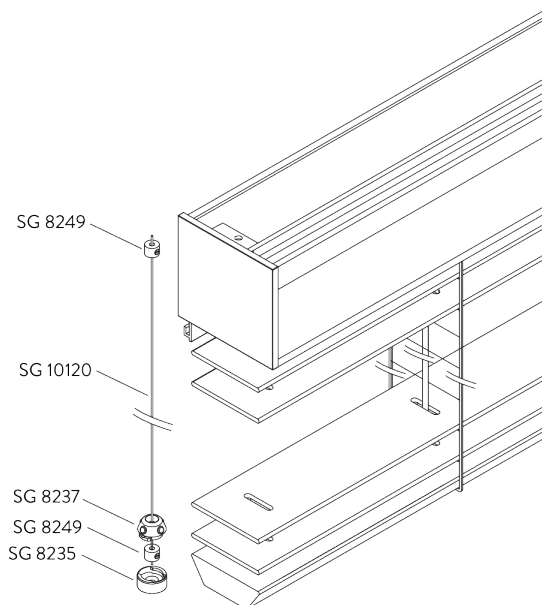
SYSTEM OPTIONS

A. HEADRAIL SLAT COVER



- A slat is inserted into the headrail for perfect matching of colours and materials to avoid the need to fit a cumbersome valance.
- For leather slat blinds there is the option of a leather covered headrail at an additional cost.
- Leather covered slats cannot be specified with decorative (external) slat tapes. The blind hardware is supplied matching the slat colour.

B. SIDE GUIDES



Additional parts:

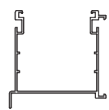
- 2x SG 8235 Side guide wire base short
- 2x SG 8237 Side guide wire holder
- 4x SG 8249 Side guide device
- 2x SG 10120 Side guide wire \varnothing 0.9 mm

Note:

- Up to 15° from vertical

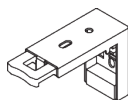
PARTS

A. STANDARD PARTS



SG 8902

Profile



SG 8920

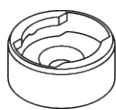
Bracket



SG 10731

Child safety retainer set

B. OPTIONAL PARTS



SG 8235

Side guide wire base short



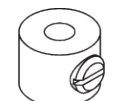
SG 8236

Side guide wire base long



SG 8237

Side guide wire holder



SG 8249

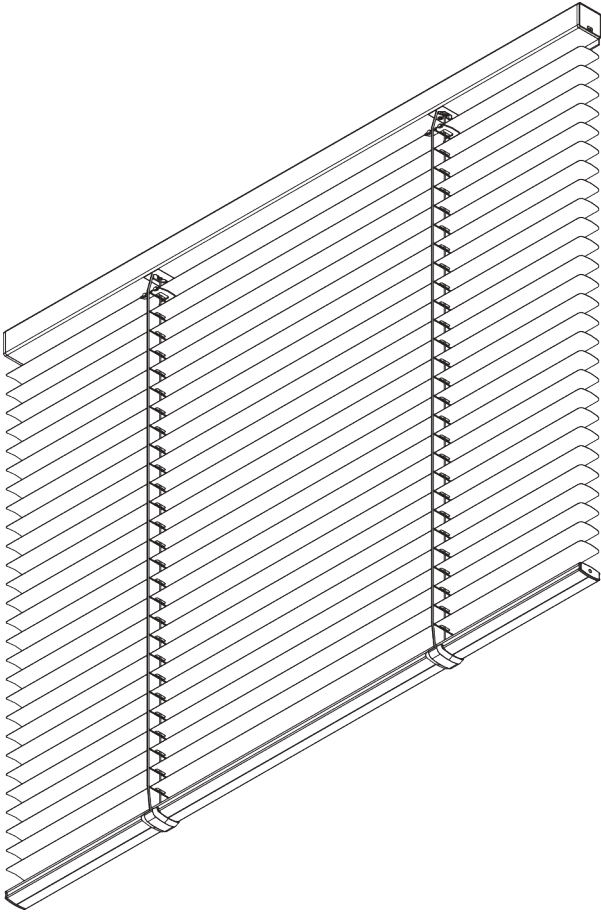
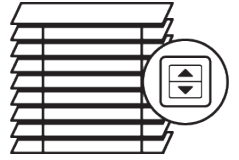
Side guide device



SG 10120

Side guide wire \varnothing 0.9 mm

SG 8250



PRODUCT INFORMATION

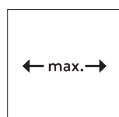
- **Operation:** motorised
- **Range:** S - M
- **Fitting:** ceiling, wall
- **Colours:** refer to Silent Gliss slat collection

Features:

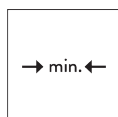
- Optimised light control
- Various control options
- Slat width: 25 mm (standard), 16 mm

SYSTEM SPECIFICATIONS

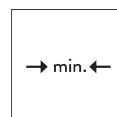
A. SYSTEM DIMENSIONS



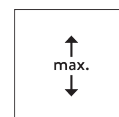
3 m



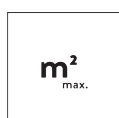
65 cm
(up to a height of 2 m)



80 cm
(up to a height of 3.4 m)



3.4 m



5 m²

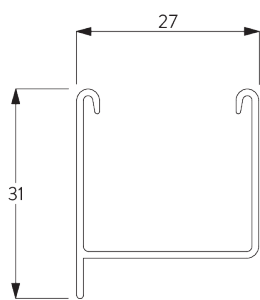
Slat stack heights

	16 / 25 mm	X	50	100	150	200	250	300	340
			6	8	10	12	14	15	17

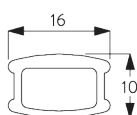
(cm)

B. PROFILE

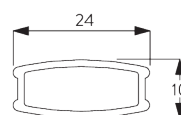
Profile information



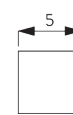
SG 8102
Profile



SG 8003
Bottom bar 16 mm

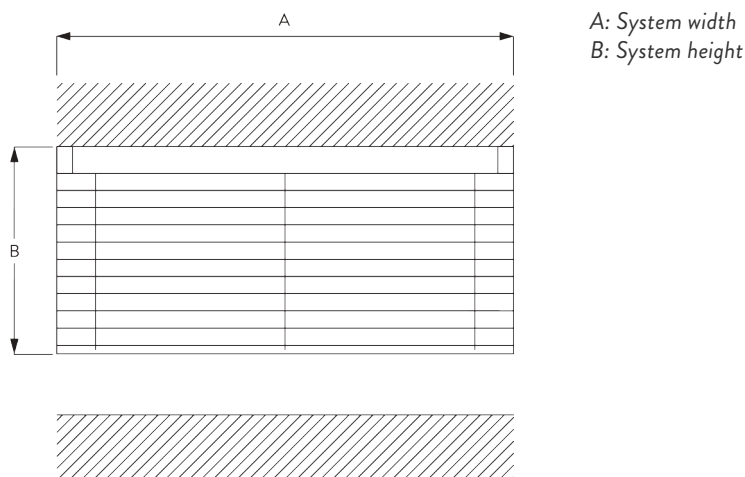


SG 8004
Bottom bar 24 mm



SG 8025
Shaft

C. HOW TO MEASURE



D. SPECIFICATION TEXT

EN

Silent Gliss SG 8250 Electrically Operated Venetian Blind. Supplied made to measure and complete comprising aluminium headrail SG 8102 incorporating a flange to minimise light ingress at top of blind. Fixed to ceiling or wall with snap on brackets SG 8201 at 800-1000 mm intervals plus one at 60 mm from each end. Operation by integrated 24 V DC motor SG 8060 controlled by fixed switch / third party control system subject to suitable interface by others / radio control systems SG 9940. All wireless controls at extra cost. Slat colour to be chosen from Silent Gliss 16/25 mm range Price Group 1-3.

SV

Silent Gliss SG 8250 Persiennsystem med motor. Levereras i kundens mått komplett med aluminiumkassett SG 8102 med list för att minimera ljusinsläpp i systemets ovkant. Montering i tak eller på vägg med SG 8201 med c/c 800-1000 mm samt fäste 60 mm från varje ände. Manövrering med inbyggd motor 24 V DC SG 8060 med väggbrytare eller externt styrsystem alternativt radio styrning SG 9940. Alla styrkomponenter är tillägg. Färg lameller väljs från Silent Gliss kollektion med 16 / 25 mm prisgrupp 1-3.

NO

Silent Gliss SG 8910 Persiennsystem med motor. Lameller med 50 mm dybde. Leveres på ønsket mål. Komplet med aluminiumkassett. SG 8102 med list for minimalt lysinnslipp i overkant av systemet. Monteres i tak eller på vegg med SG 8201 med c/c 800-100 mm og feste 60 mm fra hver ende. Styres med integrert motor 24V DC SG 8060 med veggbryter eller eksternt system eller radiostyring SG 9940. Alle styringskomponenter kommer i tillegg. Farge på lamellene velges fra Silent Gliss kolleksjon med 16/25 mm lameller, prisgruppe 1-3.

DA

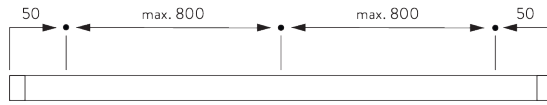
Silent Gliss SG 8250 elektrisk persienne. Leveres i ønsket længde og komplet, bestående af aluminiumkassette SG 8102 med en flange, der mindsker indtrængende lys i toppen af persiennen. Fastgøres til loft eller væg med beslag SG 8201 i afstande på 800-1000 mm plus en på 60 mm fra hver ende. Styring med integreret 24 V DC motor SG 8060 styret med fast kontakt / tredjeparts styresystem, forudsat at der er en egnet grænseflade fra andre / radiostyringssystemer SG 9940. Al trådløs styring mod ekstra betaling. Lamelfarven vælges fra Silent Gliss 16/25 mm-programmet, prisgruppe 1-3.

FITTING

A. FITTING INFORMATION

For detailed fitting information, visit the Silent Gliss website.

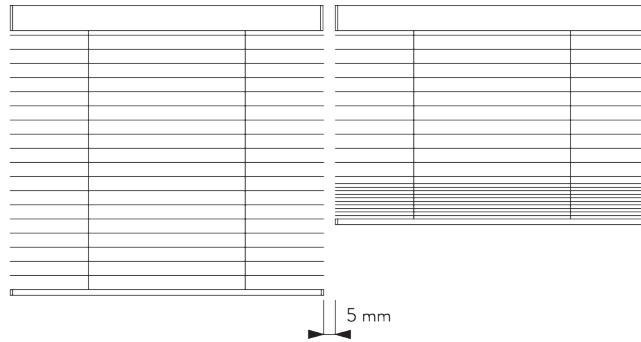
Fixing points



Note:

Never position the brackets SG 8201 on the take up reels.

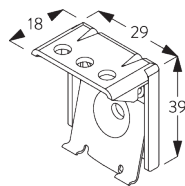
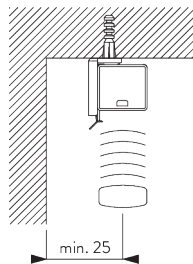
Side-by-side fitting



Min. distance: 5 mm

B. CEILING FITTING

Bracket SG 8201

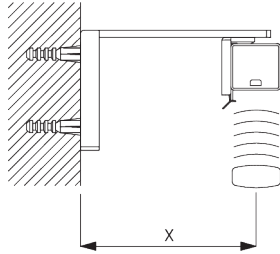


SG 8201

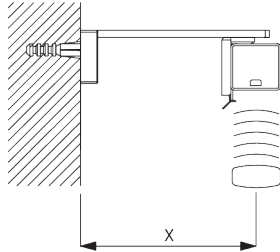
Bracket

C. WALL FITTING

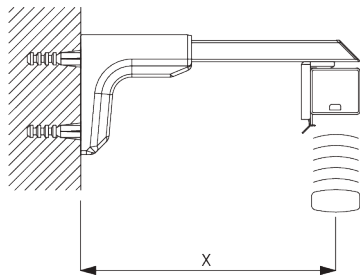
Smart Fix



Smart Fix SG 11200 - SG 11203 and bracket SG 8201:
Screw SG 10395 (M4x6) needed.

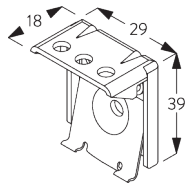


Square Smart Fix SG 11210 - SG 11213 and bracket SG 8201:
Screw SG 10395 (M4x6) needed.



Universal Smart Fix SG 11154 - SG 11156 and bracket SG 8201:
Screw SG 10407 (M4x10) needed.

Smart Fix	X mm
SG 11200 / SG 11210	57
SG 11201 / SG 11211	77
SG 11202 / SG 11212	97
SG 11203 / SG 11213	117
SG 11154	107-135
SG 11155	137-165
SG 11156	187-215



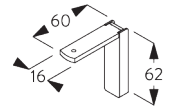
SG 8201
Bracket



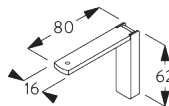
SG 10395
Pan head screw M4x6



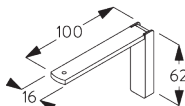
SG 10407
Pan head screw M4x10



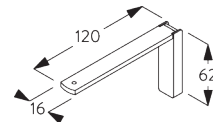
SG 11200
Smart Fix 60 mm



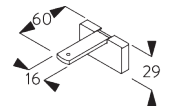
SG 11201
Smart Fix 80 mm



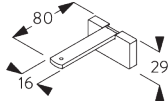
SG 11202
Smart Fix 100 mm



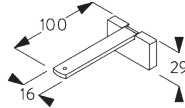
SG 11203
Smart Fix 120 mm



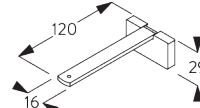
SG 11210
Square Smart Fix 60 mm



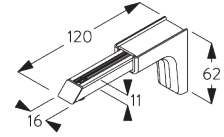
SG 11211
Square Smart Fix 80 mm



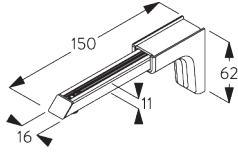
SG 11212
Square Smart Fix 100 mm



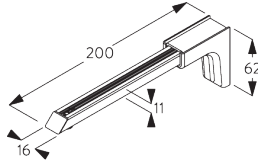
SG 11213
Square Smart Fix 120 mm



SG 11154
Universal Smart Fix 120 mm

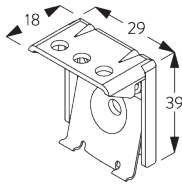
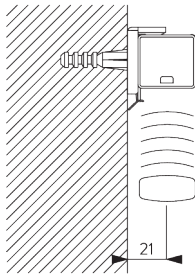


SG 11155
Universal Smart Fix 150 mm



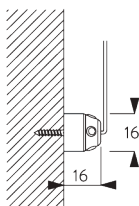
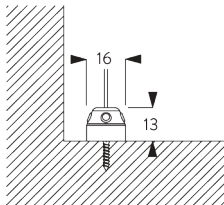
SG 11156
Universal Smart Fix 200 mm

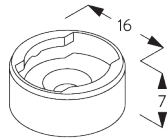
Bracket SG 8201



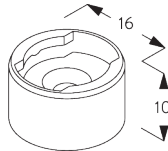
SG 8201
Bracket

**D. FITTING WITH
SIDE GUIDE
OPTION**

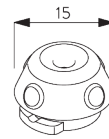




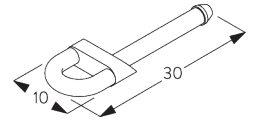
SG 8235
Side guide wire base short



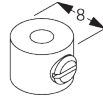
SG 8236
Side guide wire base long



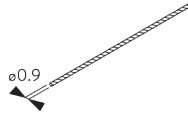
SG 8237
Side guide wire holder



SG 8241
Side guide eyelet



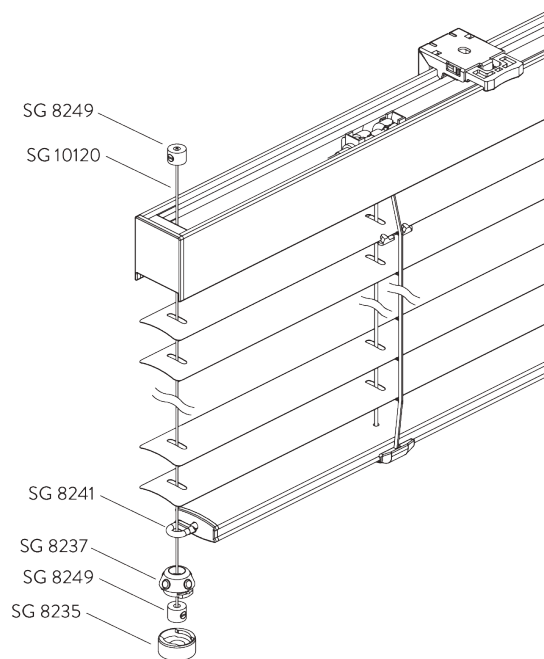
SG 8249
Side guide device



SG 10120
Side guide wire \varnothing 0.9 mm

SYSTEM OPTIONS

A. SIDE GUIDES



Additional parts:

- 2x SG 8235 Side guide wire base short
- 2x SG 8237 Side guide wire holder
- 2x SG 8241 Side guide eyelet
- 4x SG 8249 Side guide device
- 2x SG 10120 Side guide wire \varnothing 0.9 mm

Note:

- Up to 15° from vertical

MOTOR & CONTROLS

A. MOTOR FEATURES

Motors	SG 8605
Motor Features	
Mechanical end-stop	●
Mechanical revolution counter (limited revolution)	●
IP class	IP 44
Control Features	
Mains power control	●
SG Control L (external receiver required)	●
Suitable for most major home automation systems (with suitable interface)	●

B. MOTOR SPECIFICATIONS

Motor	Voltage	Current	Speed
SG 8060	24 V DC	0.65 A	30 rpm

C. OPERATING METHODS

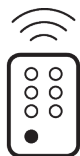
See catalogue "controls" for details.

Wall Switch



System can be operated by fixed wall switch.

SG Control L



Various radio hand-held and wall transmitters available. An external receiver is required.



Silent Gliss Move App.




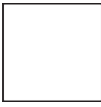


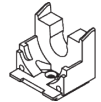
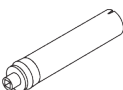
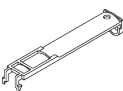
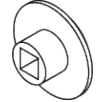
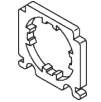

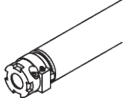
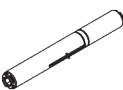
D. WIRING DIAGRAMS



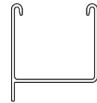
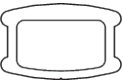
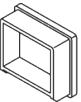



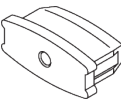
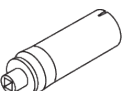
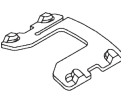
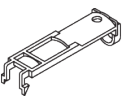
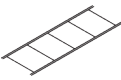
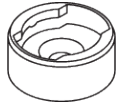


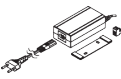
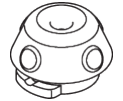
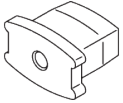
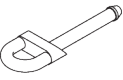
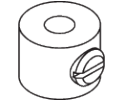
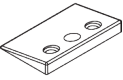
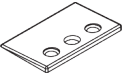
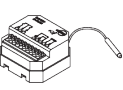
Refer to Silent Gliss website.

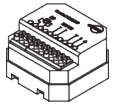
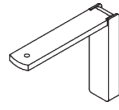
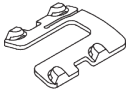
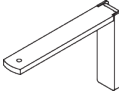
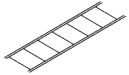
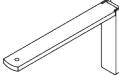
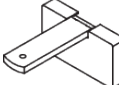
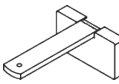
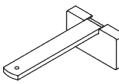
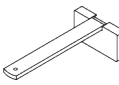
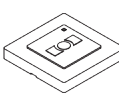
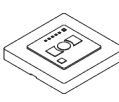
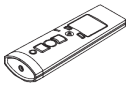
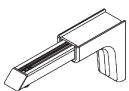
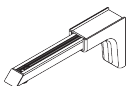
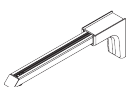
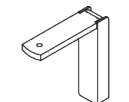
PARTS

A. STANDARD PARTS

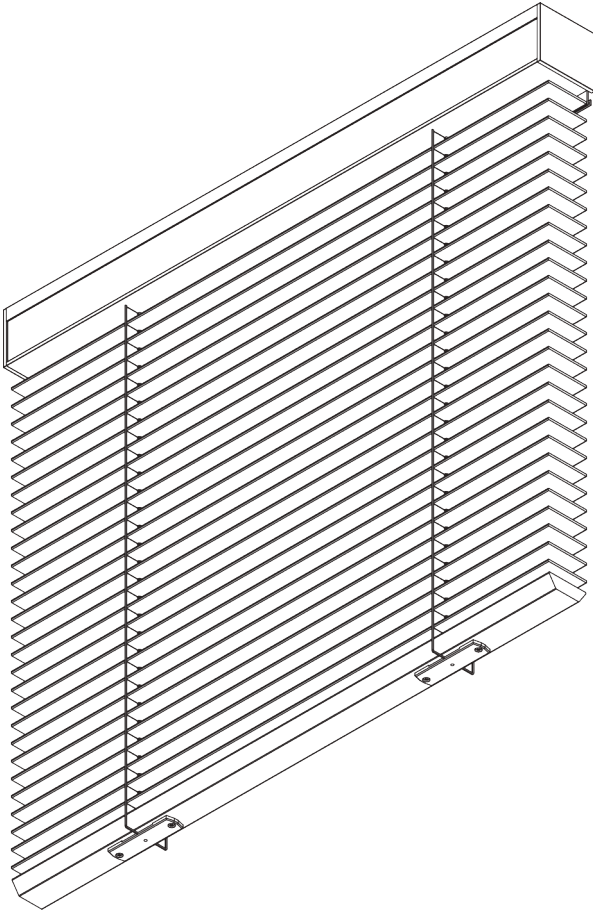
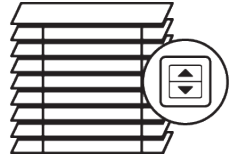
	SG 8004 Bottom bar 24 mm
	SG 8007 Slat 25 mm
	SG 8013 Bottom clip 25 mm
	SG 8025 Shaft
	SG 8038 Shaft adaptor long
	SG 8039 Stop ring
	SG 8041 Bearing
	SG 8042 Cone long
	SG 8044 Cover long
	SG 8046 Ring
	SG 8047 Profile adaptor
	SG 8048 Shaft adaptor short
	SG 8049 End stop AMS 25
	SG 8060 Motor 24V DC, 0,8/40

B. OPTIONAL PARTS

	SG 8102 Profile		SG 8003 Bottom bar 16 mm
	SG 8106 End cover 25 mm		SG 8006 Slat 16 mm
	SG 8201 Bracket		SG 8012 Bottom clip 16 mm
	SG 8239 End cover 25 mm		SG 8043 Cone short
	SG 10104 Slat clip 25 mm		SG 8045 Cover short
	SG 10117 Ladder cord 25 mm		SG 8235 Side guide wire base short
	SG 10119 Lift cord ø 1.4 mm		SG 8236 Side guide wire base long
	SG 11426 Power supply 24V / 2A including cable with EU/CH plug		SG 8237 Side guide wire holder
			SG 8238 End cover 16 mm
			SG 8241 Side guide eyelet
			SG 8249 Side guide device
			SG 8262 Spacer 10°
			SG 8263 Spacer 4°
			SG 9068 Radio receiver Revio

**SG 9947***Control unit DC 24V***SG 11201***Smart Fix 80 mm***SG 10109***Slot clip 16 mm***SG 11202***Smart Fix 100 mm***SG 10116***Ladder cord 16 mm***SG 11203***Smart Fix 120 mm***SG 10120***Side guide wire ø 0.9 mm***SG 11210***Square Smart Fix 60 mm***SG 10300***Radio hand held 1 channel***SG 11211***Square Smart Fix 80 mm***SG 10302***Radio hand held 5+1 channel***SG 11212***Square Smart Fix 100 mm***SG 10303***Radio hand held 10+2+1 channel***SG 11213***Square Smart Fix 120 mm***SG 10395***Pan head screw M4x6***SG 11480***Radio wall transmitter 1 channel***SG 10407***Pan head screw M4x10***SG 11490***Radio wall transmitter 5+1 channel***SG 10804***Radio hand held 15+5+1 channel***SG 11154***Universal Smart Fix 120 mm***SG 11155***Universal Smart Fix 150 mm***SG 11156***Universal Smart Fix 200 mm***SG 11200***Smart Fix 60 mm*

SG 8960



PRODUCT INFORMATION

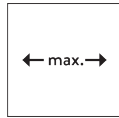
- **Operation:** motorised
- **Range:** L
- **Fitting:** ceiling, wall
- **Colours:** refer to Silent Gliss slat collection

Features:

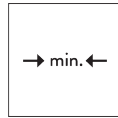
- Optimised light control
- Various control options
- Wood, aluminium and leather slats
- Slat width: 50 mm
- Headrail slat cover
- Choice of ladder cord or decorative slat tape

SYSTEM SPECIFICATIONS

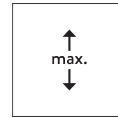
A. SYSTEM DIMENSIONS



Wood / Leather: 2.4 m
Aluminium: 3.6 m



65 cm



Wood / Leather: 2.75 m
Aluminium: 3.6 m



Wood / Leather: 4.6 m²
Aluminium: 10 m²

Slat stack heights

Note: stack size will be larger when tapes are used

Wooden

	50 mm	X								
			60	90	120	150	180	210	240	275
			12	15	17	20	22	25	27	30

(cm)

Leather

	50 mm	X								
			60	90	120	150	180	210	240	275
			16	18	20	22	24	26	28	30

(cm)

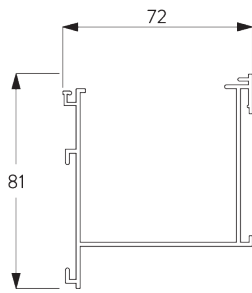
Aluminium

	50 mm	X				
			100	200	300	360
			10	13	17	20

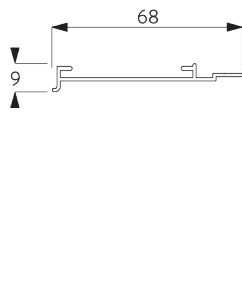
(cm)

B. PROFILE

Profile information

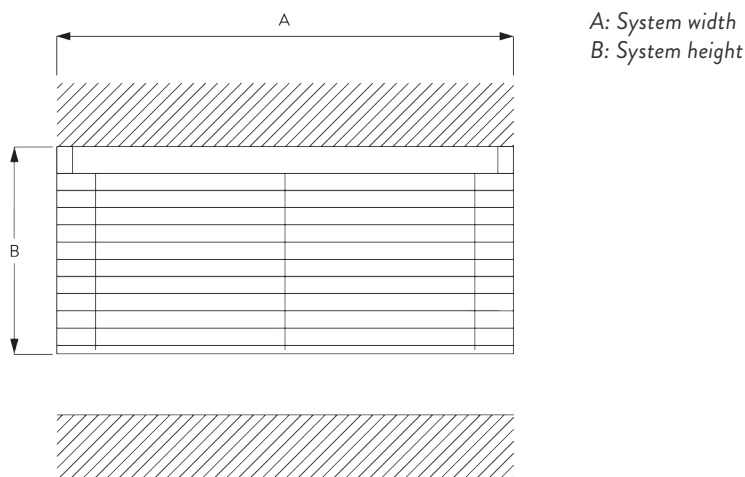


SG 8935
Profile



SG 8936
Profile

C. HOW TO MEASURE



D. SPECIFICATION TEXT

EN

Silent Gliss SG 8960 Electrically Operated Venetian Blind. Supplied made to measure and complete comprising aluminium headrail SG 8935 and cover SG 8936 incorporating matching colour slat. System fixed with clamps SG 3033 to ceiling or wall at 450 mm intervals plus one at 100 mm from each end. Supplied with motor SG 11095 with which permits raising, lowering and tilting of the slats / operation by third party control system subject to suitable interface by others. Optional motor SG 11096 with integrated receiver for use with radio control system SG 9940 (hand, wall mounted transmitters and SG Move app). All wireless controls at extra cost. Slat colours to be chosen from Silent Gliss 50 mm aluminium / wood / leather range.

SV

Silent Gliss SG 8960 Persiennsystem med motor. Lameller 50 mm. Levereras i kundens mått komplett med aluminiumkassett SG 8935 och täcklock SG 8936 med färgmatchande lameller. Montering med SG 3033 mot vägg eller mot tak, 100 mm från varje ände på kassett samt med c/c 450 mm. Levereras med motor SG 11095 eller SG 11096 med radiomottagare. Motorn sköter steglös upp- och nerrullning samt vinkling av lamellerna. Kan styras via väggkontakt/ via fjärrkontroll system SG 9940 (handhållen, väggmonterad eller via app Move. Även via externt styrsystem. Radiokomponenter mot tillägg. Färg lameller väljs från Silent Gliss kollektion med 50 mm lameller i alu, trä eller läder.

NO

Silent Gliss SG 8910 Persiennsystem med motor. Lameller med 50 mm dybde. Leveres på mål. Komplet med aluminiumkassett. SG8935 og deksel SG8936, som matcher med lamellene. Montering med SG 3033 mot vegg eller tak. 100 mm fra hver ende på kassetten samt med c/c 450 mm. Levers med motor SG11095 eller SG 11096 med radiomottaker. Motoren gir en jevn/ trinnløs vinkling og opp/ned kjøring av lamellene. Kan styres med veggbryter, fjernkontroll SG 9940 (håndholdt / veggmontert eller via app Move). Kan også betjenes med eksternt system. Radiokomponenter kommer i tillegg. Farge på lamellene velges fra Silent Gliss kolleksjon med 50mm lameller i alu, tre eller skinn.

DA

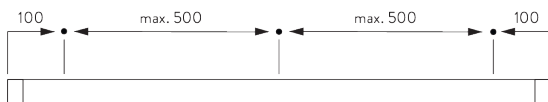
Silent Gliss SG 8960 elektrisk persienne. Leveres i ønsket længde og komplet, bestående af aluminiumkassette SG 8935 og afdækning SG 8936 med matchende farvet lamel. Systemet fastgøres med klemmer SG 3033 til loft eller væg med afstande på 450 mm plus en på 100 mm fra hver ende. Leveres med motor SG 11095, der gør det muligt at løfte, sænke og hælde lamellerne / styring med styresystemer fra tredjeparter, forudsat at der er en egnet grænseflade fra andre. Valgfri motor SG 11096 med integreret modtager til brug med radiostyresystem SG 9940 (manuel, vægmonterede transmittere og SG Move-app). Al trådløs styring mod ekstra betaling. Lamellernes farve vælges blandt Silent Gliss 50 mm aluminium / træ / læder program.

FITTING

A. FITTING INFORMATION

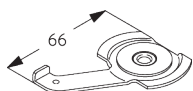
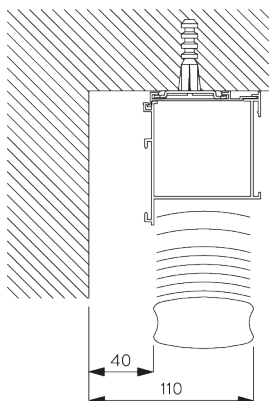
For detailed fitting information, visit the Silent Gliss website.

Fixing points



B. CEILING FITTING

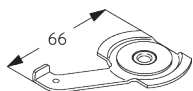
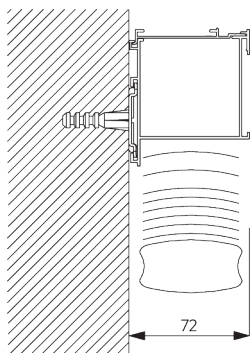
Clamp SG 3003



SG 3003
Clamp

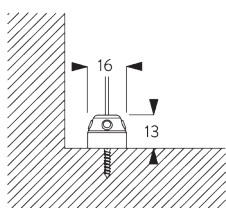
C. WALL FITTING

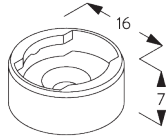
Clamp SG 3003



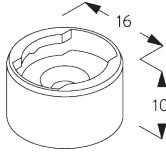
SG 3003
Clamp

D. FITTING WITH SIDE GUIDE OPTION

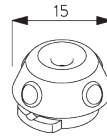




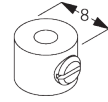
SG 8235
Side guide wire base short



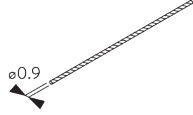
SG 8236
Side guide wire base long



SG 8237
Side guide wire holder



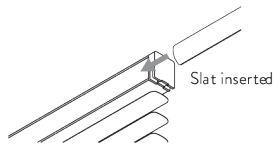
SG 8249
Side guide device



SG 10120
Side guide wire \varnothing 0.9 mm

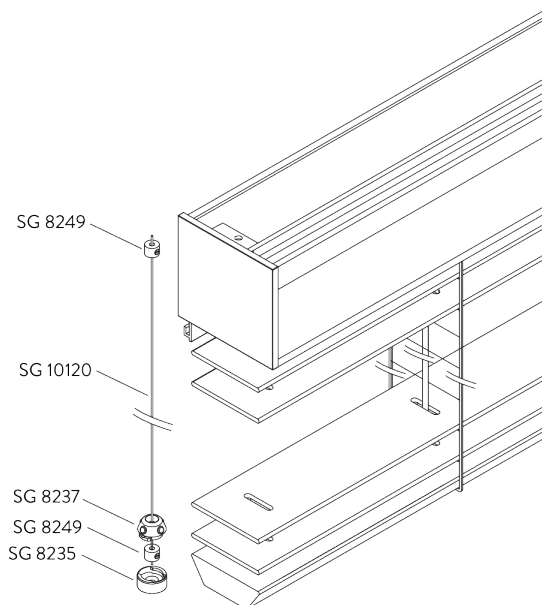
SYSTEM OPTIONS

A. HEADRAIL SLAT COVER



- A slat is inserted into the headrail for perfect matching of colours and materials to avoid the need to fit a cumbersome valance.
- For leather slat blinds there is the option of a leather covered headrail at an additional cost.
- Leather covered slats cannot be specified with decorative (external) slat tapes. The blind hardware is supplied matching the slat colour.

B. SIDE GUIDES



Additional parts:

- 2x SG 8235 Side guide wire base short
- 2x SG 8237 Side guide wire holder
- 4x SG 8249 Side guide device
- 2x SG 10120 Side guide wire \varnothing 0.9 mm

Note:

- Up to 15° from vertical

MOTOR & CONTROLS

A. MOTOR FEATURES

Motors	SG 11095	SG 11096
Motor Features		
Soft start / stop	●	●
Built-in receiver		●
Electronic end-stop	●	●
Electronic revolution counter (unlimited revolution)	●	●
Intermediate positions possible		●
Noiseless stop	●	●
IP class	IP 54	IP 54
Control Features		
Mains power control	●	
SG Control L (built-in receiver)		●
Suitable for most major home automation systems (with suitable interface)	●	●

B. MOTOR SPECIFICATIONS

Motors	Voltage	Current	Frequency	Speed	Frequency receiver
SG 11095	230 V AC	0.5 A	50 Hz	35 rpm	n/a
SG 11096	230 V AC	0.5 A	50 Hz	35 rpm	868 MHz

C. OPERATING METHODS

See catalogue "controls" for details.

Wall Switch



System can be operated by fixed wall switch.

SG Control L



Various radio hand-held and wall transmitters available.



Silent Gliss Move App.

D. WIRING
DIAGRAMS



Refer to Silent Gliss website.

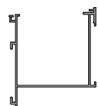
PARTS

A. STANDARD PARTS



SG 3003

Clamp



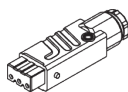
SG 8935

Profile



SG 8936

Profile



SG 9917

Hirschmann portable socket-outlet
STAK 3 N



SG 11095

Motor 230V AC, JA 04/35 comfort

B. OPTIONAL PARTS



SG 8235

Side guide wire base short



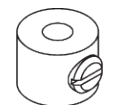
SG 8236

Side guide wire base long



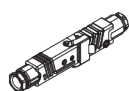
SG 8237

Side guide wire holder



SG 8249

Side guide device



SG 9916

Hirschmann plug set



SG 10120

Side guide wire ø 0.9 mm



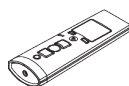
SG 10300

Radio hand held 1 channel



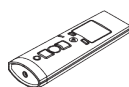
SG 10302

Radio hand held 5+1 channel



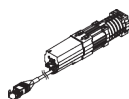
SG 10303

Radio hand held 10+2+1 channel



SG 10804

Radio hand held 15+5+1 channel



SG 11096

Motor 230V AC, JA 04/35
comfort, radio receiver



SG 11480

Radio wall transmitter 1 channel



SG 11490

Radio wall transmitter 5+1 channel

The Architects of Silence

Silent Gliss is the leading global supplier of premium interior window treatments. Since 1952 we have been tirelessly committed to the development of the worlds` smoothest, quietest systems using state of the art technology.

Driven by customer needs, Silent Gliss offers functional and durable products. Expert technical advice coupled with installation and support services complete the offer. Silent Gliss stands for innovative, sustainable, tailor made solutions, exceptional design and first-class quality.

Oy Vallila Contract Ab

Nilsjängkatu 15

FI-00510 Helsinki

T +358 (0)20 776 7700

F +358 (0)20 776 7701

silentgliss@vallilainterior.fi

silentgliss.fi